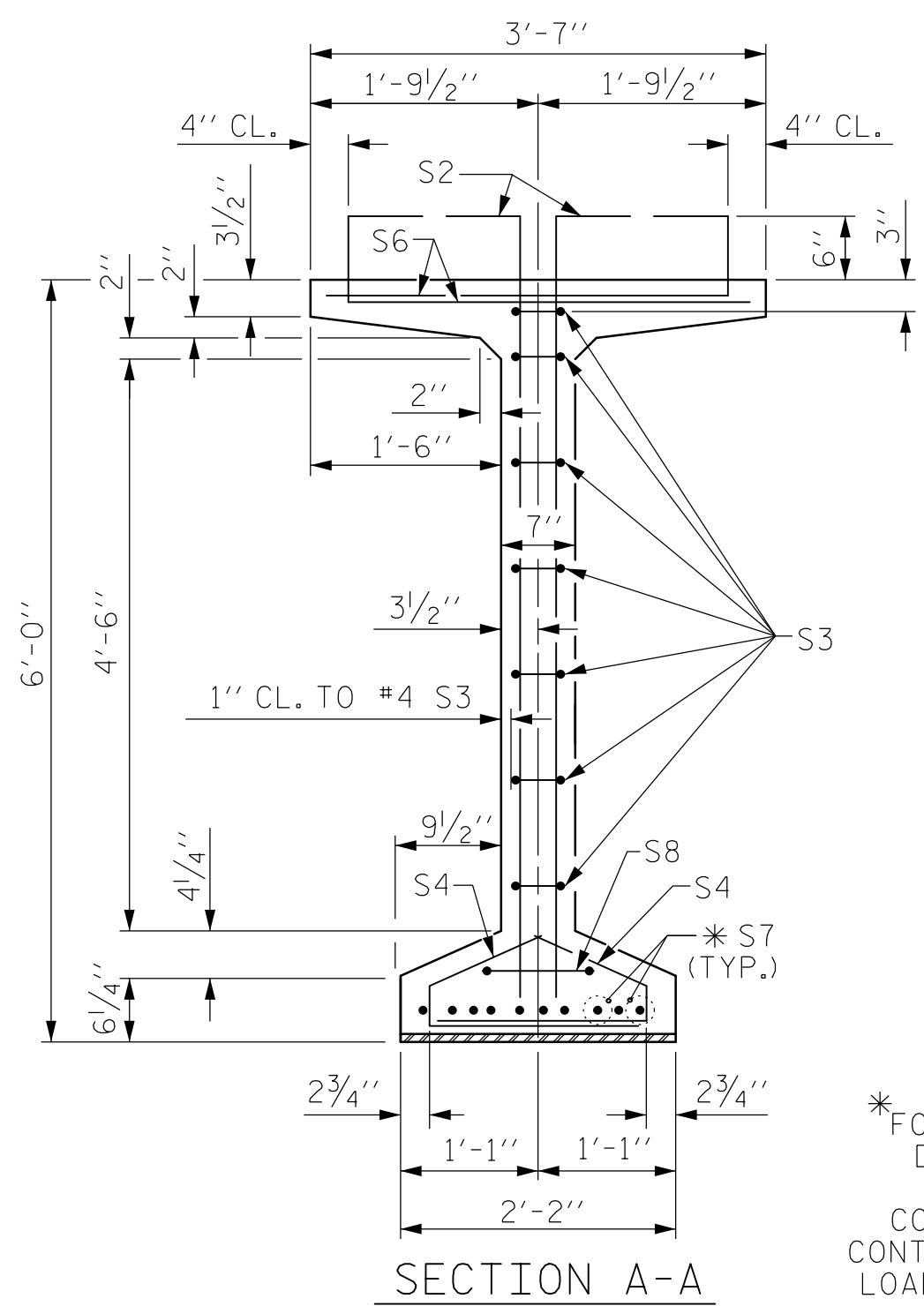
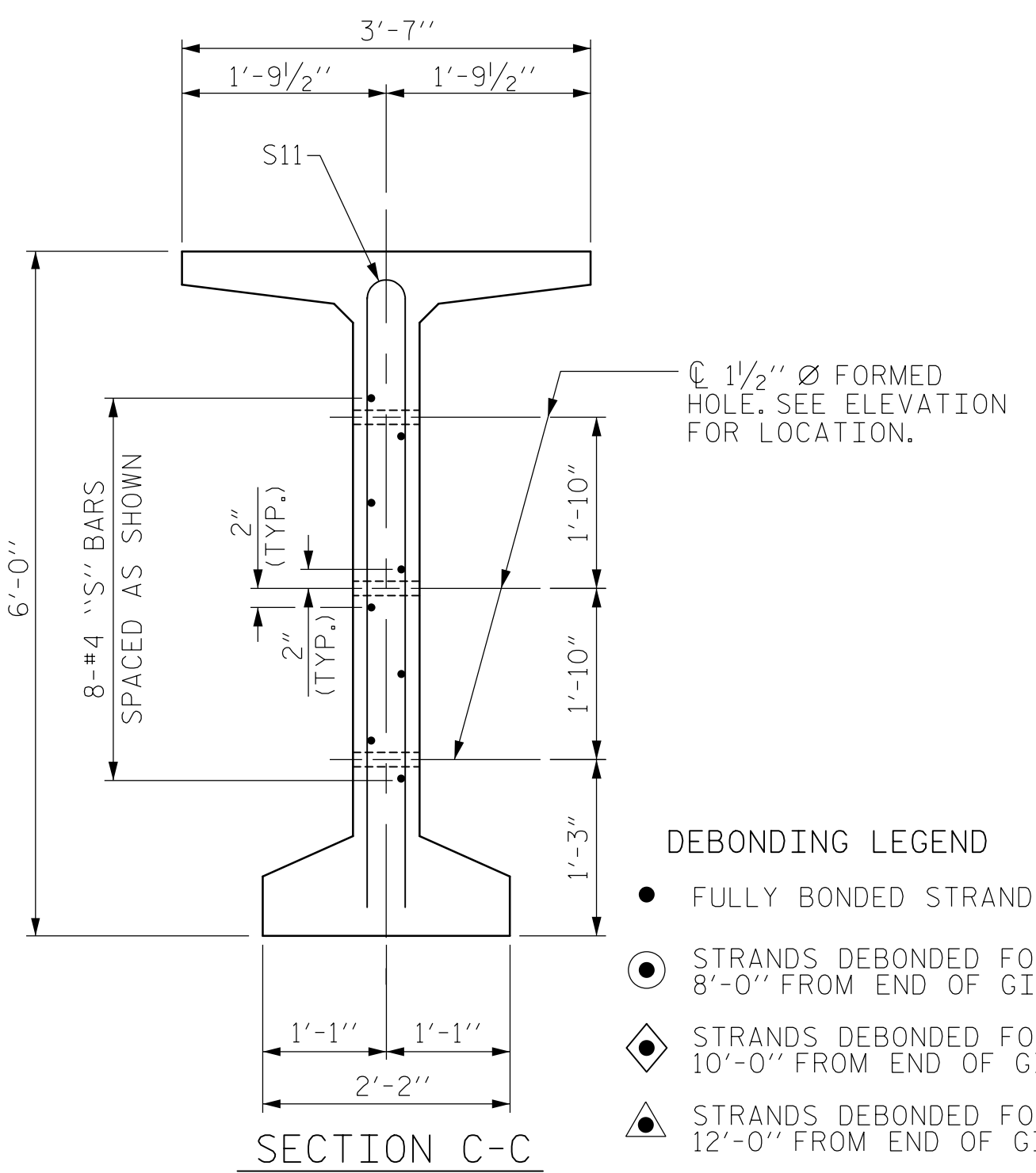


0400DEL_P30

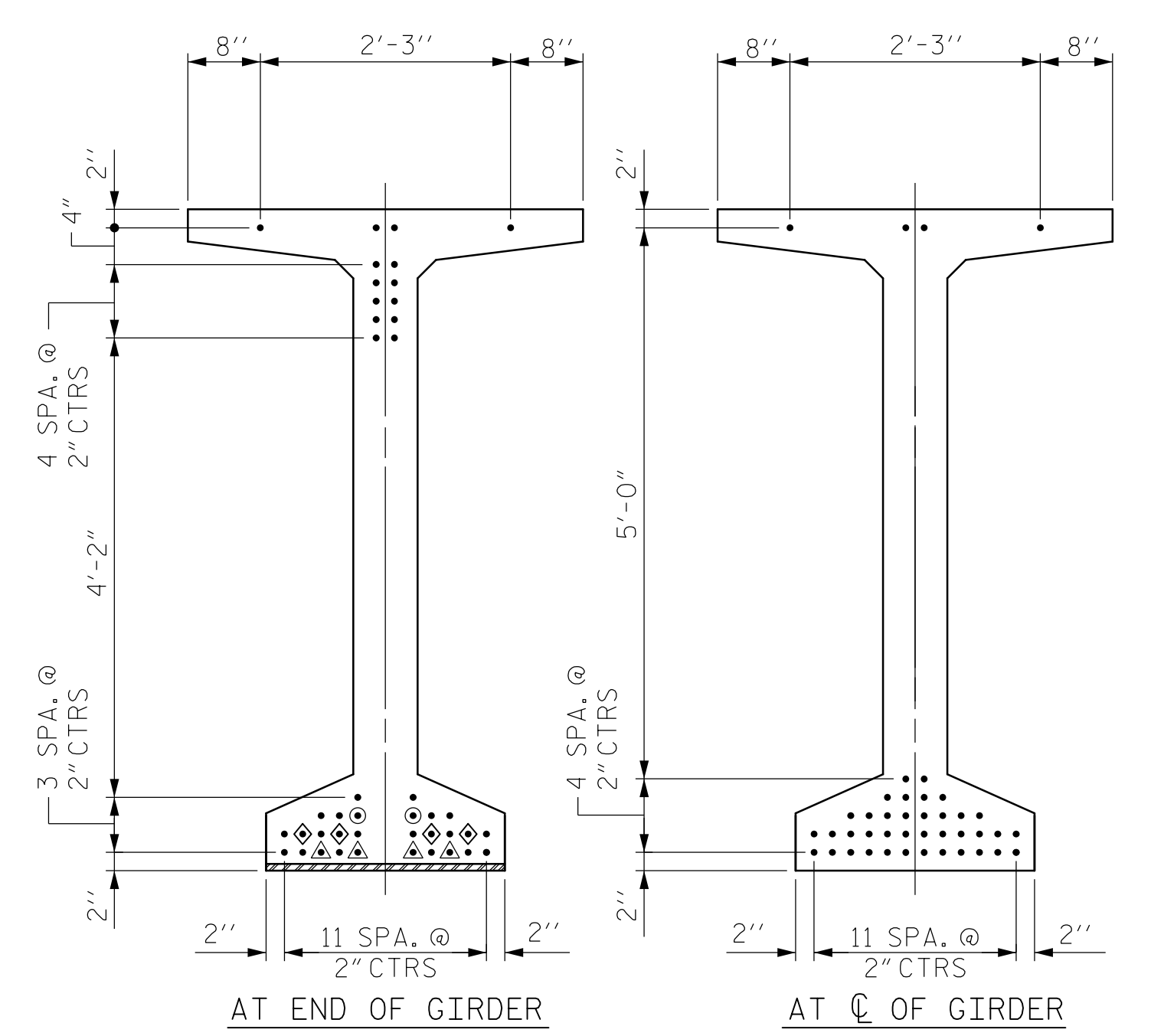


*FOR S7 BARS, SEE
DETAIL "C" OF
PRESTRESSED
CONCRETE GIRDER
CONTINUOUS FOR LIVE
LOAD DETAILS SHEET



DEBONDING LEGEND

- FULLY BONDED STRANDS
- STRANDS DEBONDED FOR 8'-0" FROM END OF GIRDER
- STRANDS DEBONDED FOR 10'-0" FROM END OF GIRDER
- STRANDS DEBONDED FOR 12'-0" FROM END OF GIRDER



0.6" Ø LOW RELAXATION STRAND LAYOUT

GIRDER	"A"	"B"	"C"	"D"	"E"	"F"
E1	118'-4 1/8"	59'-2 1/16"	79'-7 1/8"	53	54	39'-6 9/16"
E2	118'-6 1/8"	59'-3 1/16"	79'-9 1/8"	53	54	39'-7 1/16"
E3	118'-9 3/8"	59'-4 1/16"	80'-0 9/8"	53	54	39'-9 5/16"
E4	119'-0 3/8"	59'-6 1/16"	80'-3 3/8"	53	54	39'-10 1/16"
E5	119'-3 1/8"	59'-7 3/16"	80'-6 1/8"	53	54	40'-0 1/16"
E6	119'-5 1/8"	59'-8 1/16"	80'-8 1/8"	53	54	40'-1 1/16"
E7	119'-8 3/8"	59'-10 1/16"	80'-11 1/8"	53	54	40'-2 3/16"
E8	119'-11 3/8"	59'-11 1/16"	81'-2 3/8"	54	55	40'-4 3/16"

GIRDER	"H"	"J"	"K"	"L"	"M"	"N"	"P"	"R"
E1	206	226	54	1,468	1,021	183	3,394	25.4
E2	206	226	54	1,468	1,021	183	3,394	25.4
E3	206	226	54	1,468	1,021	183	3,394	25.5
E4	206	226	54	1,468	1,021	183	3,394	25.5
E5	206	226	54	1,468	1,021	183	3,394	25.6
E6	206	226	54	1,468	1,021	183	3,394	25.6
E7	206	226	54	1,468	1,021	183	3,394	25.7
E8	208	228	55	1,482	1,030	186	3,420	25.7

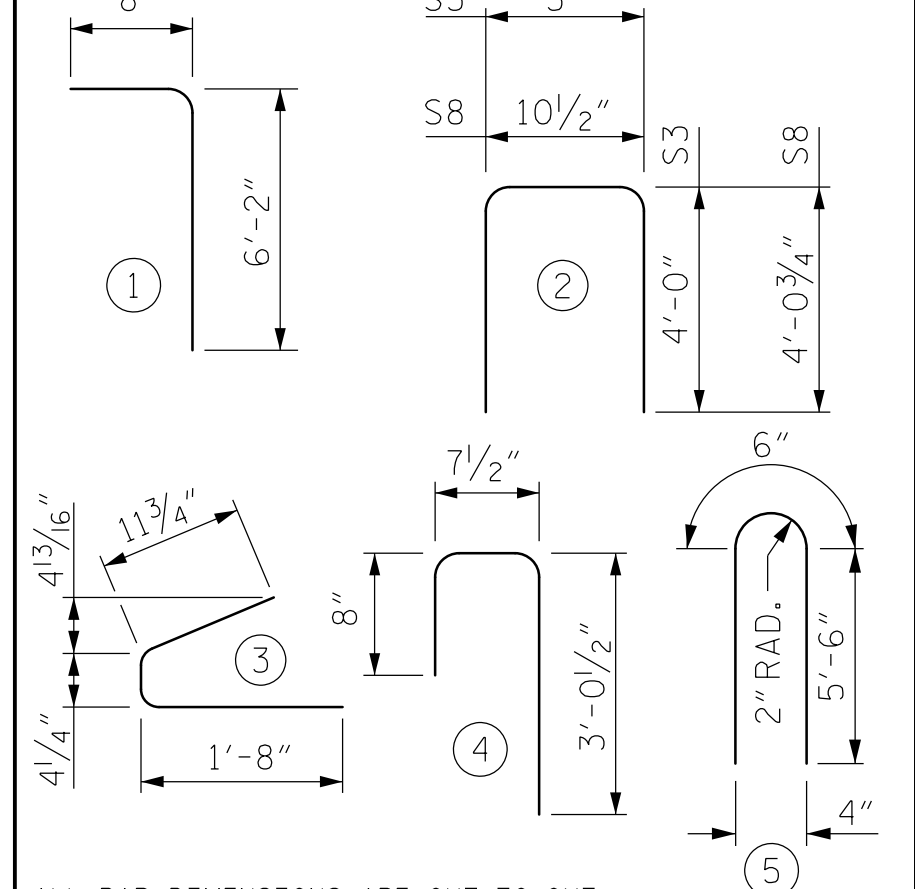
0.6" Ø L. R. GRADE 270 STRANDS		
AREA (SQUARE INCHES)	ULTIMATE STRENGTH (LBS. PER STRAND)	APPLIED PRESTRESS (LBS. PER STRAND)
0.217	58,600	43,950

REINFORCING STEEL FOR ONE GDR

BAR	NUMBER	SIZE	TYPE	LENGTH	WEIGHT
S1	"H"	#5	1	6'-10"	"L"
S2	20	#6	1	6'-10"	205
S3	14	#4	2	8'-5"	79
S4	80	#4	3	3'-0"	160
S6	"J"	#5	4	4'-4"	"M"
*S7	20	#5	STR	3'-8"	76
S8	2	#5	2	9'-0"	19
S9	"K"	#5	STR	3'-3"	"N"
S10	2	#3	STR	1'-10"	1
S11	8	#5	5	11'-6"	96
S12	16	#4	STR	8'-0"	86

*NOTE: S7 BARS SHALL BE BENT BEFORE SHIPMENT. HEAT BENDING SHALL NOT BE ALLOWED.

BAR TYPES



ALL BAR DIMENSIONS ARE OUT-TO-OUT

QUANTITIES FOR ONE GIRDER

GIRDER	REINFORCING STEEL	8,000 PSI CONCRETE	0.6" Ø L.R. STRANDS
	LB.	C.Y.	No.
GIRDER	"P"	"R"	42

GIRDERS REQUIRED

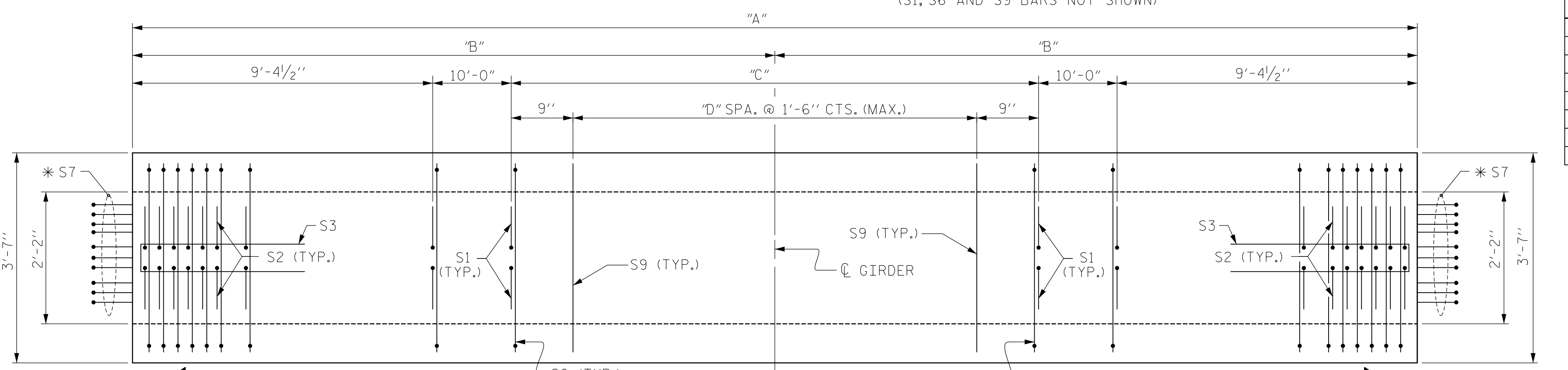
NUMBER	LENGTH	TOTAL LENGTH
8	"A"	953'-2"

PROJECT NO. U-5008
MECKLENBURG COUNTY
STATION: 20+45.05 -L- P.O.T. = 14+54.24 -Y4- P.O.T.

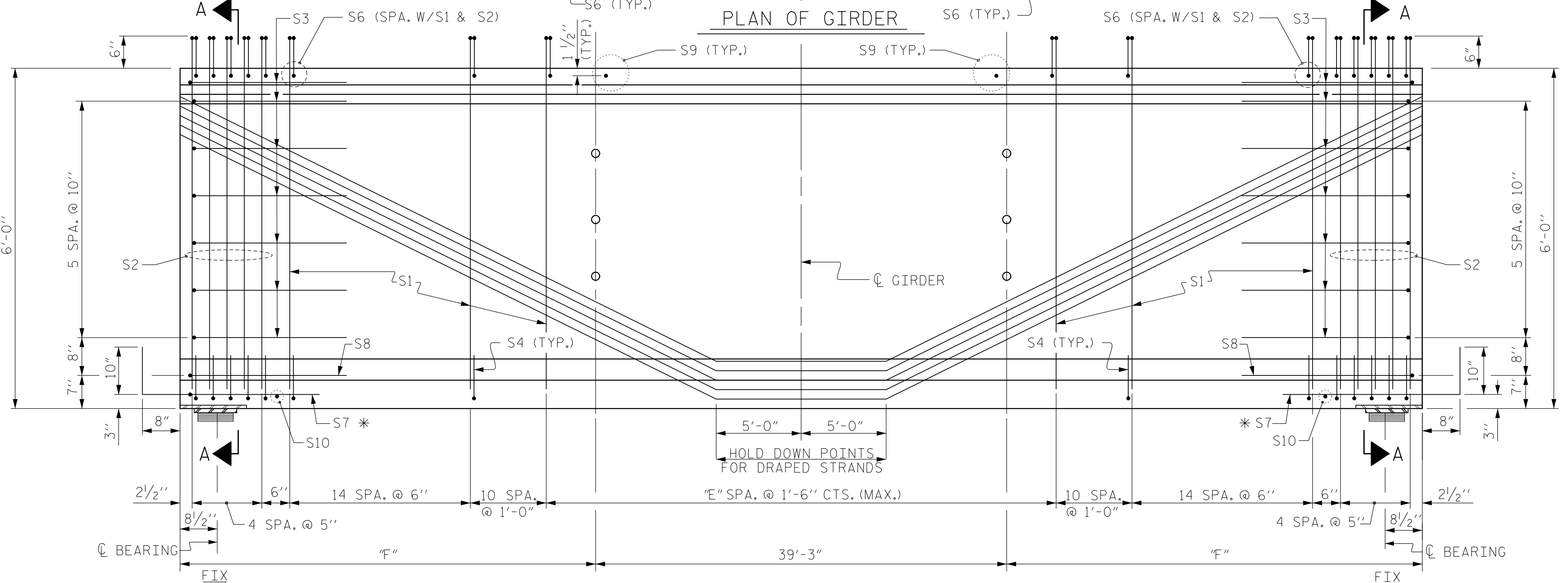
STATE OF NORTH CAROLINA
DEPARTMENT OF TRANSPORTATION
RALEIGH

72" PRESTRESSED CONCRETE
MODIFIED BULB TEE
CONTINUOUS FOR LIVE LOAD
SPAN E

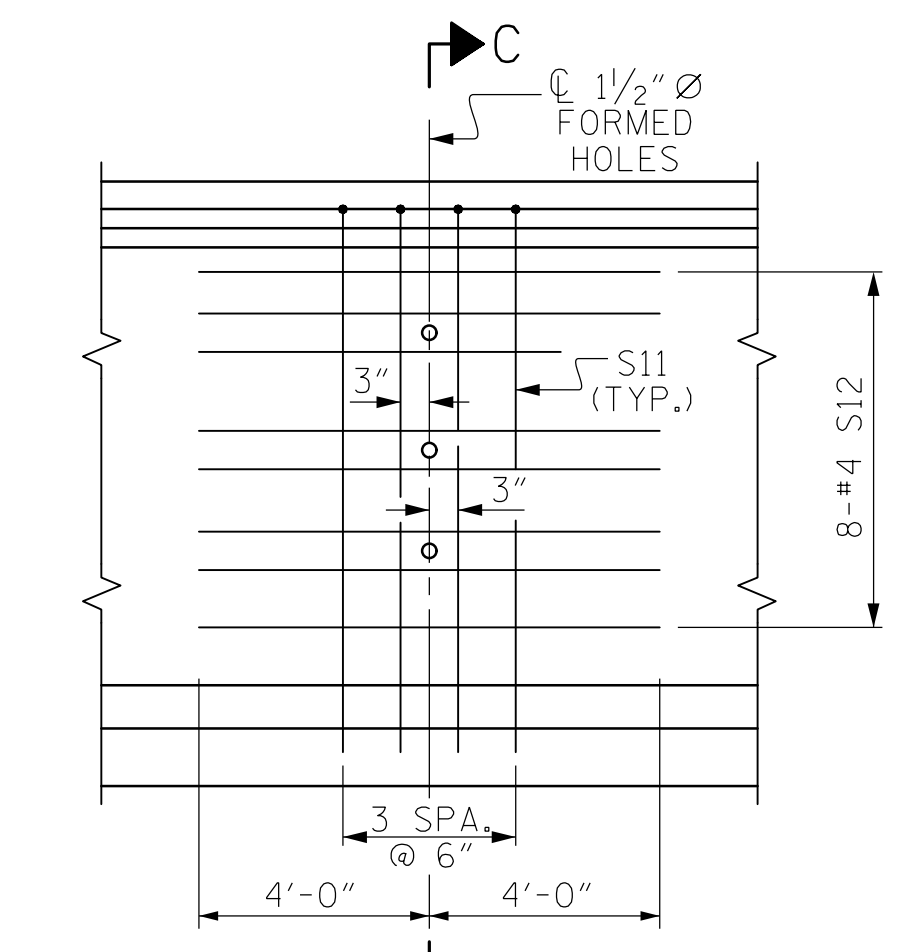
REVISIONS						SHEET NO.	
NO.	BY:	DATE:	NO.	BY:	DATE:	S-25	
1			3			SHEETS 78	
2			4				



SECTION C-C (S1, S6 AND S9 BARS NOT SHOWN)

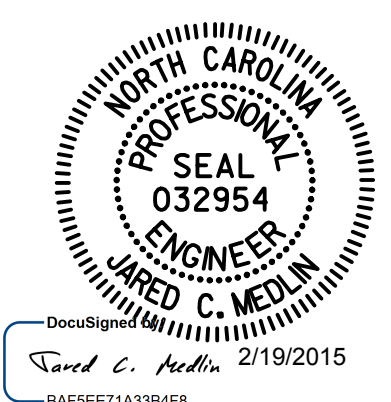


ELEVATION OF GIRDER



PARTIAL ELEVATION
SHOWING INTERMEDIATE STEEL DIAPHRAGM
REINFORCING STEEL FOR GIRDERS

KCI ASSOCIATES OF NC, P.A.
9741 SOUTHERN PINE BLVD
SUITE J
CHARLOTTE, NC 28273
704-499-9452
NC LICENSE No. C-0764



2/18/2015 Y:\D:\ewings\2011 DWG\NB11-11 Sugar Creek Rd - NCDOT Structures\RFC\SH25-U-5008_SD_PCC-1_Span E.dgn

DRAWN BY: M.S.BURGESS DATE: OCT. 2014
CHECKED BY: J.C.MEDLIN DATE: OCT. 2014