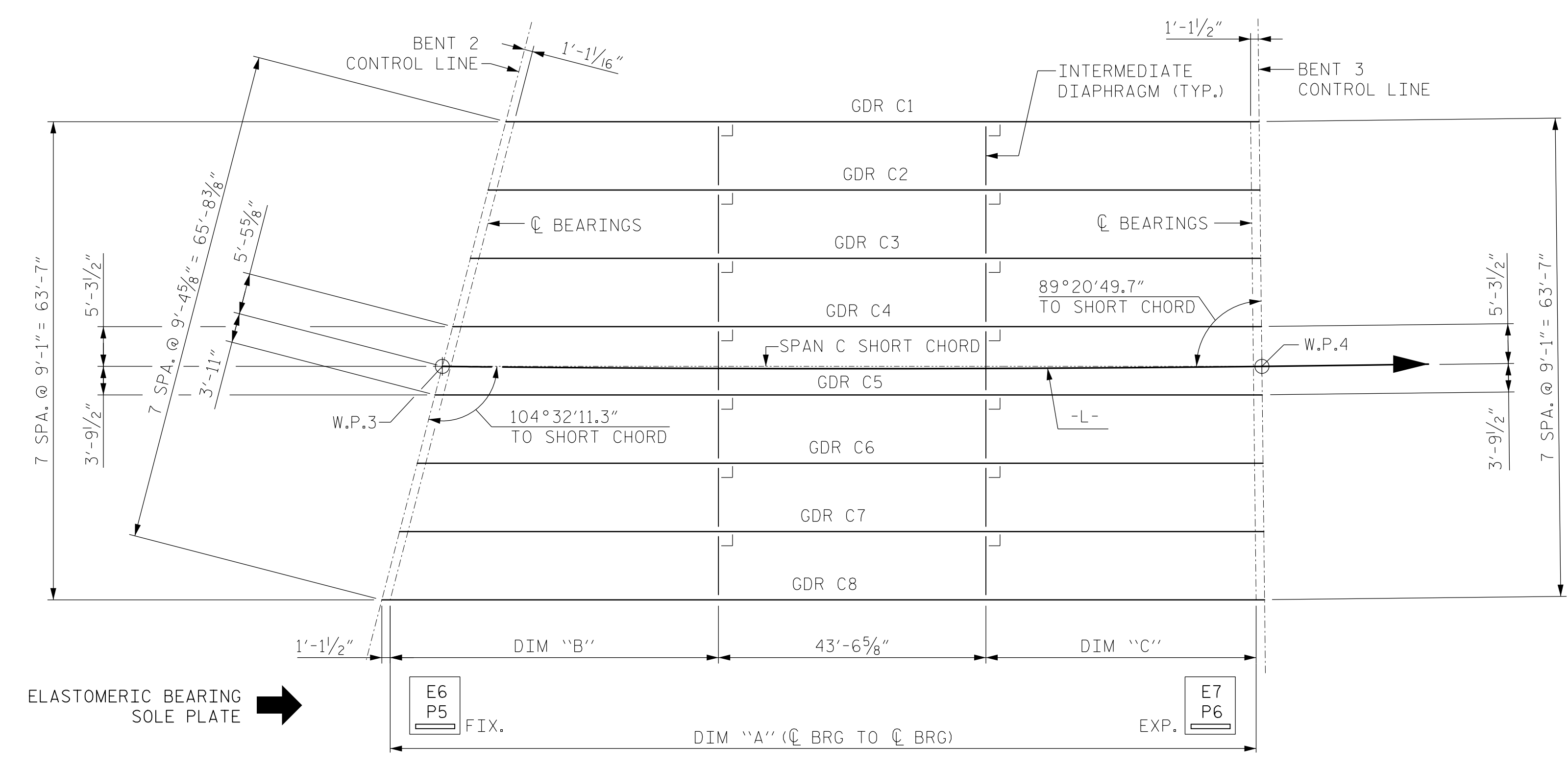


**NOTES:**  
 ALL DIMENSION ARE FROM BENT CONTROL LINE AND WORK POINTS.  
 SEE BEARING DETAILS FOR ELASTOMERIC BEARING AND SOLE PLATE DESIGNATIONS.



DIMENSIONS			
GIRDER	A	B	C
C1	97'-10 3/8"	22'-1 1/2"	32'-2 1/4"
C2	100'-3 7/8"	24'-5 3/4"	32'-3 1/2"
C3	102'-9 3/8"	26'-10"	32'-4 3/4"
C4	105'-3"	29'-2 5/16"	32'-6 1/16"
C5	107'-8 1/2"	31'-6 3/16"	32'-7 5/16"
C6	110'-2"	33'-10 1/8"	32'-8 1/2"
C7	112'-7 1/2"	36'-3 1/8"	32'-9 3/4"
C8	115'-1"	38'-7 3/8"	32'-11"

**SPAN C**  
 (GIRDERS PARALLEL TO SPAN C SHORT CHORD)

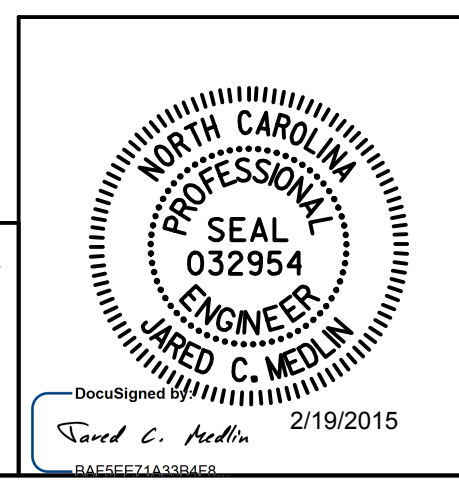
PROJECT NO. U-5008  
MECKLENBURG COUNTY  
 STATION: 20+45.05 -L- P.O.T. =  
14+54.24 -Y4- P.O.T.

STATE OF NORTH CAROLINA  
 DEPARTMENT OF TRANSPORTATION  
 RALEIGH  
**FRAMING PLAN**  
 UNIT 1  
 SPAN C

2/18/2015 Y:\Drowings\2011 DWGS\B11-11 Sugar Creek Rd - NCDOT\Structures\RFC\SH18\_U-5008\_SD\_FF-1B.dgn

DRAWN BY : D.J.DICK DATE : OCT. 2014  
 CHECKED BY : J.C.MEDLIN DATE : OCT. 2014

**KCI** ASSOCIATES OF NC, P.A.  
 9741 SOUTHERN PINE BLVD  
 SUITE J  
 CHARLOTTE, NC 28273  
 704-499-9452  
 NC LICENSE No. C-0764



REVISIONS						SHEET NO.
NO.	BY:	DATE:	NO.	BY:	DATE:	S-18
1			3			SHEETS 78
2			4			