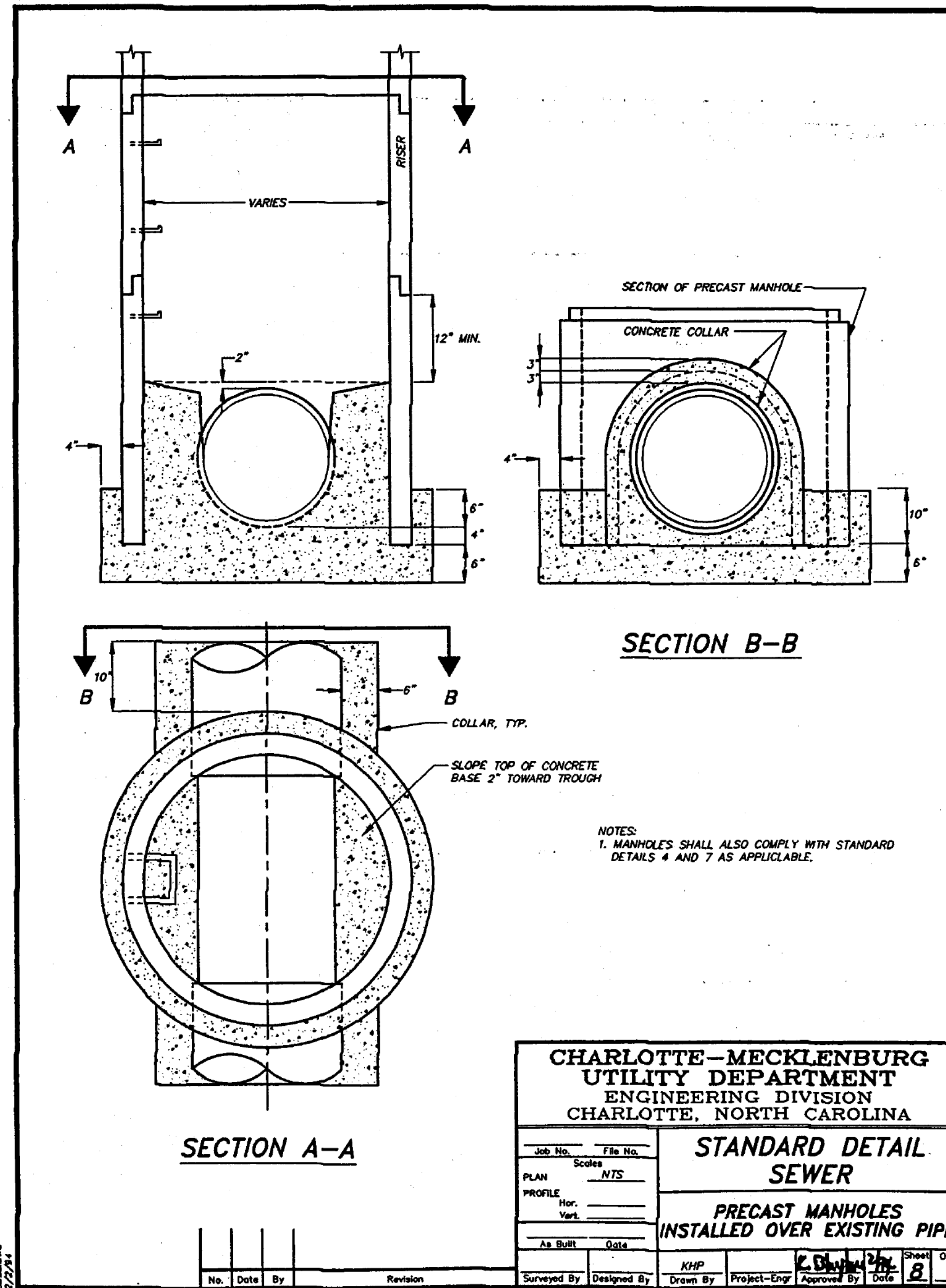


CLTWater STANDARD DETAILS

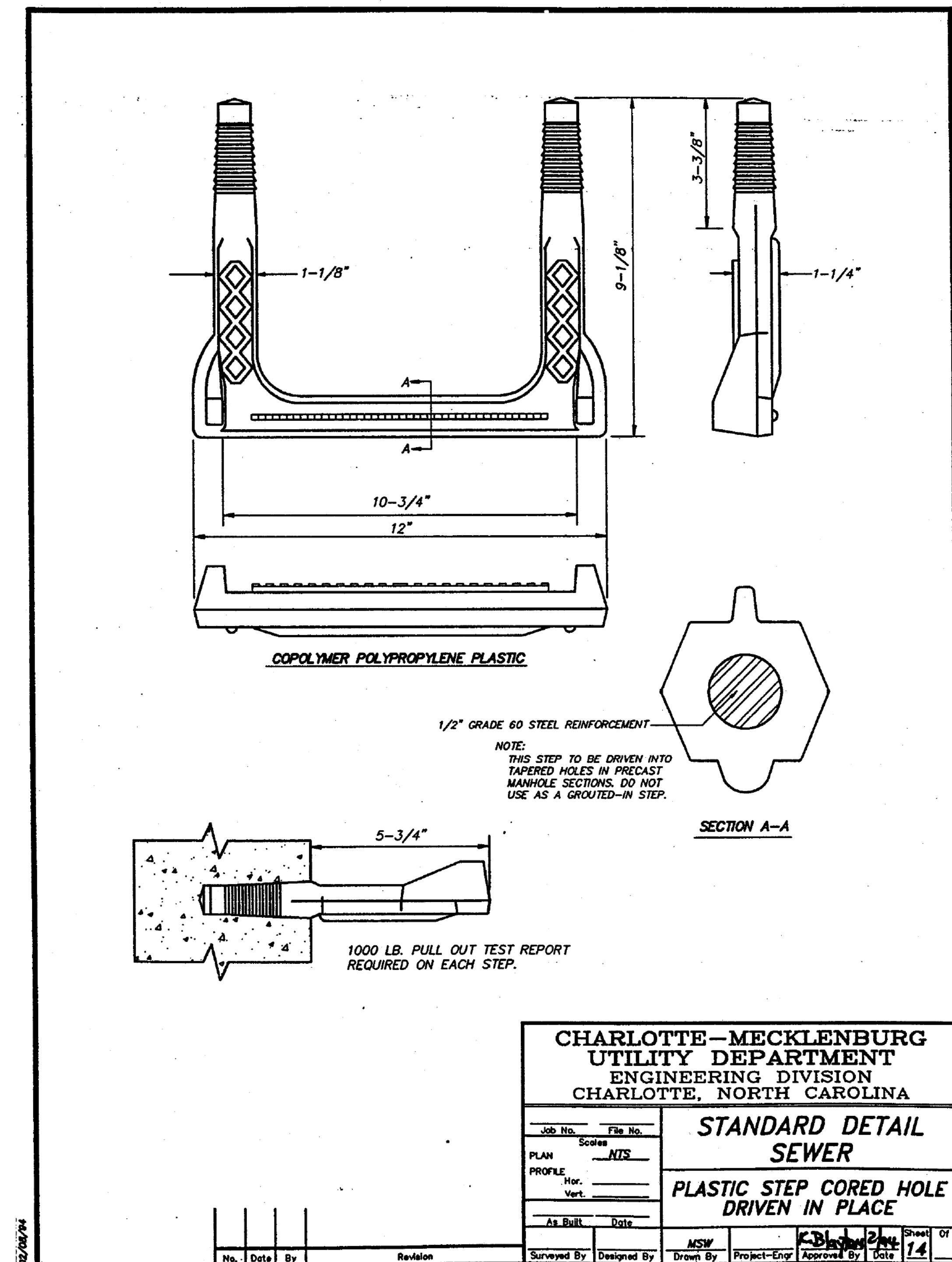
0400DEL_P30



July 27, 1995

XV-64

Sewer Specifications/Details (SD)



July 27, 1995

XV-70

Sewer Specifications/Details (SD)