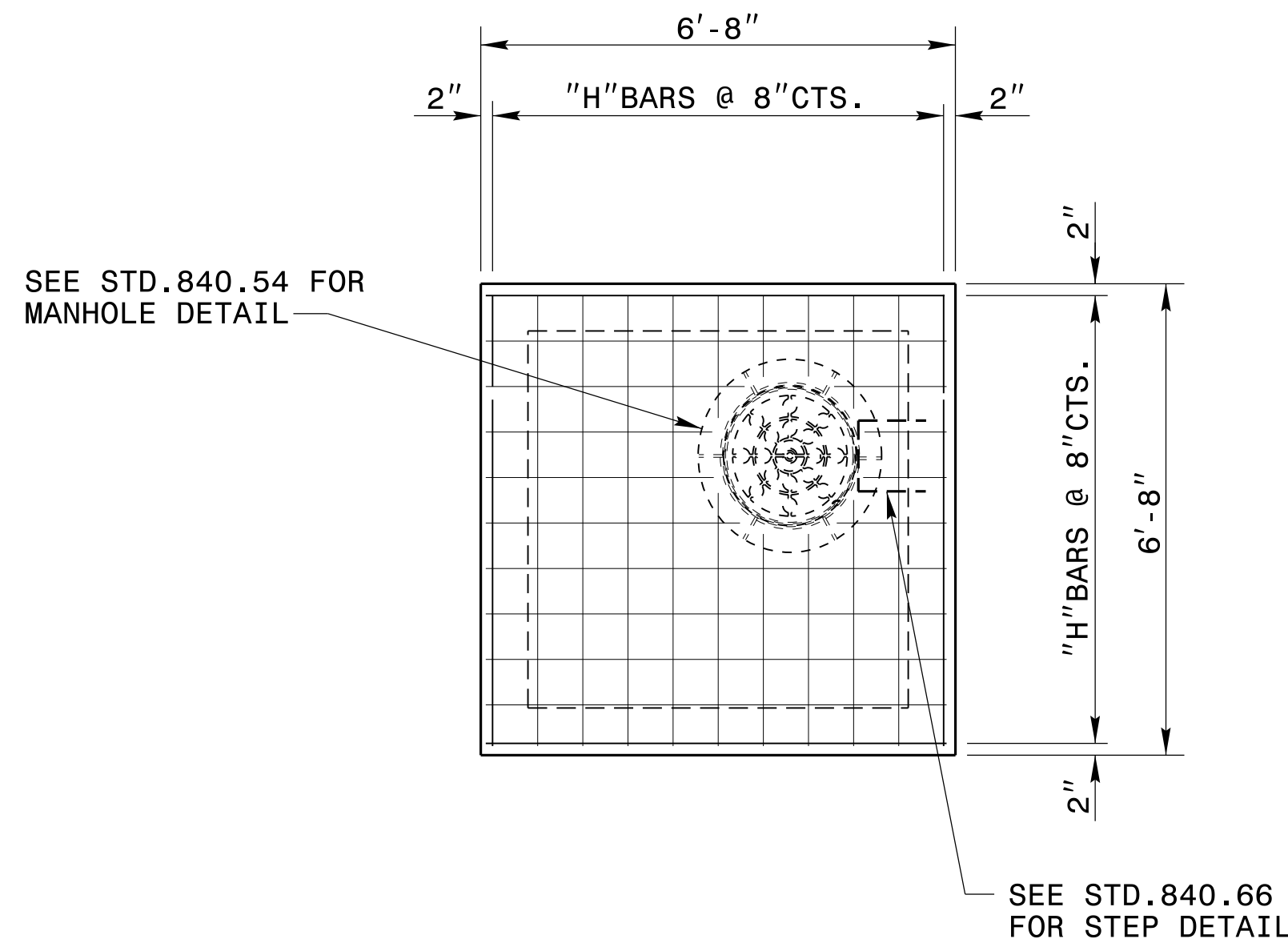


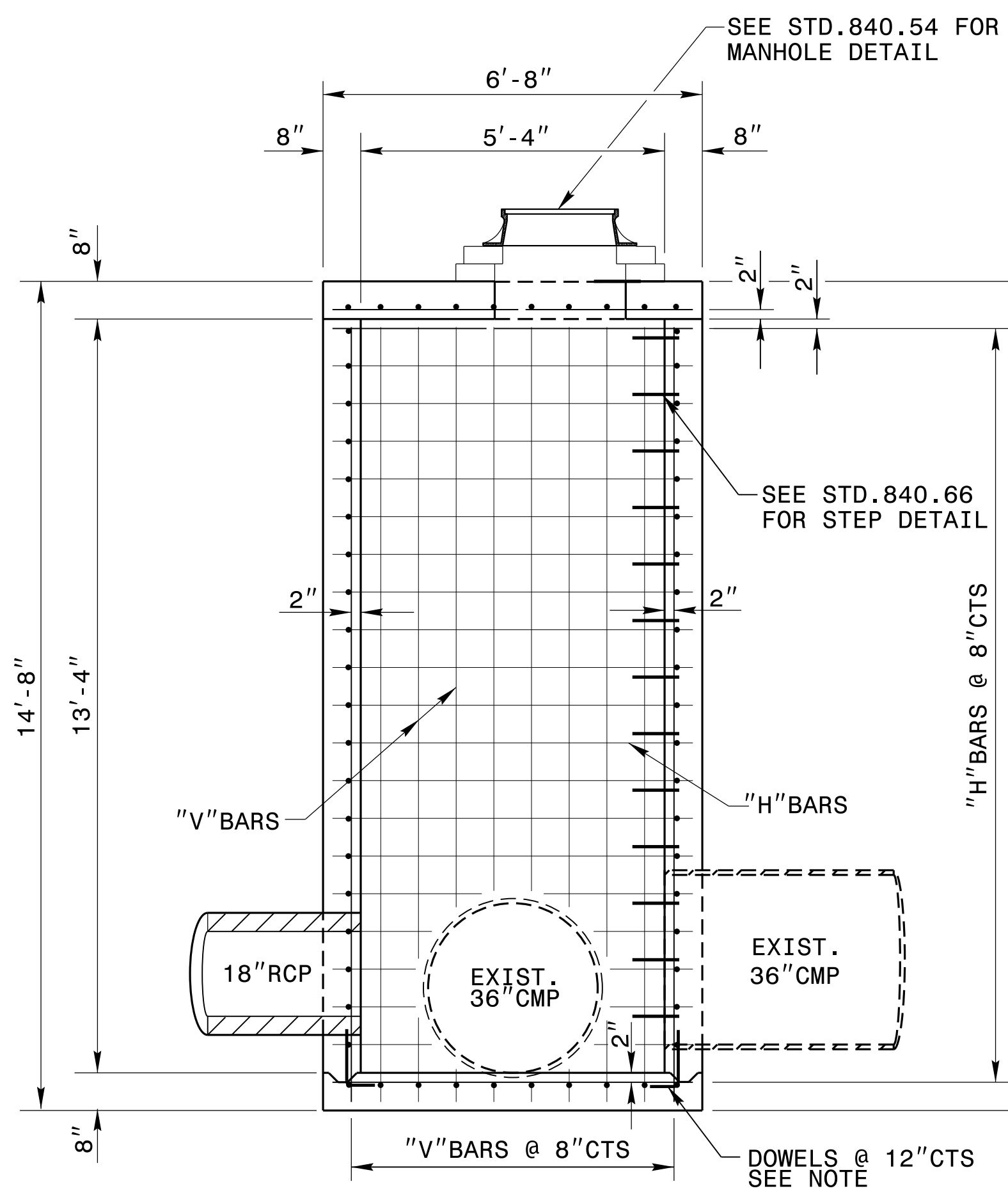
PLAN VIEW



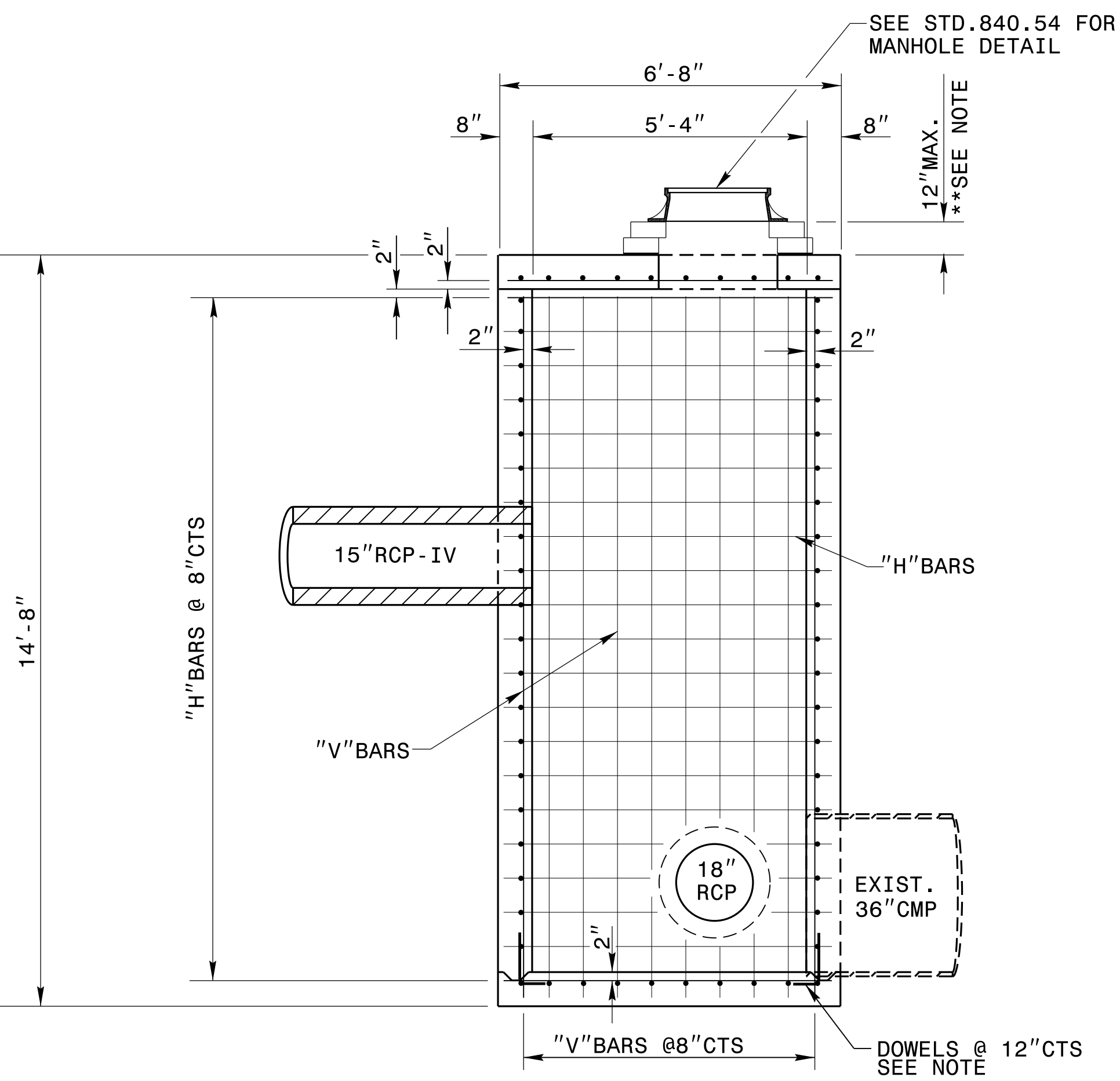
SLABS

GENERAL NOTES:

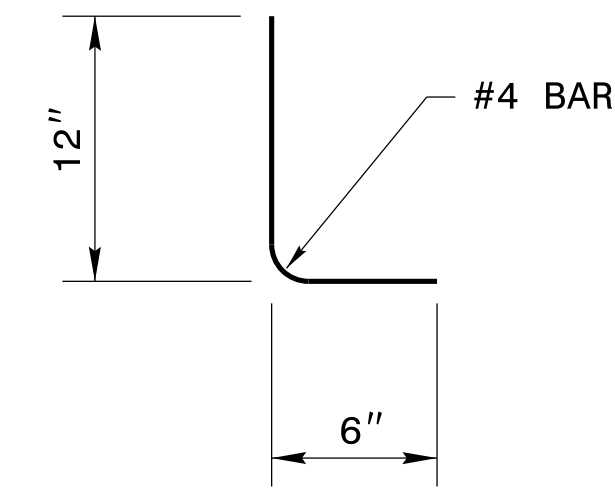
- THE BASE SLAB TO BE CONSTRUCTED BY FORMING.
- SEE STD. DWG. 840.00 FOR CONSTRUCTION OF BASE SLAB
- CLASS 'B' CONCRETE TO BE USED THROUGHOUT.
- CONSTRUCTION OPTIONS: MONOLITHIC POUR; 2" KEYWAY OR #4 BAR DOWELS AT 12" CENTERS AS DIRECTED BY THE ENGINEER.
- REINFORCING STEEL TO BE CUT, BENT OR RELOCATED TO POSITION PIPE AS DIRECTED BY THE ENGINEER.
- ALL EXPOSED CORNERS TO BE CHAMFERED 1".
- SEE STD. DRAWING 840.54 FOR CONSTRUCTION OF RISER AND MANHOLE.
- JUNCTION BOXES OVER 3'-6" IN DEPTH WITH MANHOLES WILL REQUIRE STEPS TO BE PLACED ON 12" CTRS. REFERENCE STD. NO. 840.66.
- MAINTAIN 2" MINIMUM CONCRETE COVERAGE ON ALL STEEL.



SECTION X-X



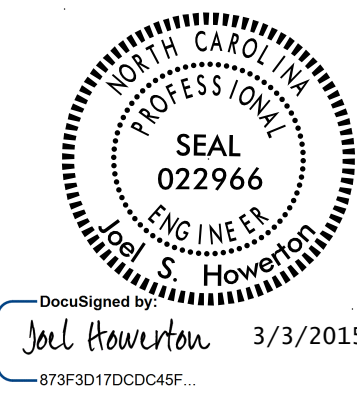
SECTION Y-Y



DOWEL

BILL OF MATERIAL					
REINFORCING STEEL					
BAR	NO.	LENGTH	LBS/FT.	QTY.	LBS
H	#4	6'-4"	0.668	124	525
V	#4	13'-8"	0.668	36	329
TOTAL WEIGHT STEEL					854
MASONRY QUANTITIES					
CLASS "B" CONCRETE (CU.YDS.)					10.1
PIPE DEDUCTIONS (CU.YDS.)					
1-15" RCP-IV					-0.1
1-18" RCP					-0.1
2-36" CMP					-0.4
TOTAL CLASS "B" CONCRETE (CU.YDS.)					9.5

** 0.30 CU.YD. PER FOOT OF RISER HEIGHT.



DocuSigned by:
Joel Howerton 3/3/2015

STRUCTURE NO.0706

CONTRACT STANDARDS & DEVELOPMENT UNIT
STANDARDS AND SPECIAL DESIGN
Office 919-707-6950 FAX 919-250-4119

**SPECIAL EXTRA DEPTH
36" JUNCTION BOX**

ORIGINAL BY: _____ DATE: _____
MODIFIED BY: rnbritt DATE: 08-13-14
CHECKED BY: _____ DATE: _____
FILE SPEC.: details/rnbritt/english/urban/u5008_extra_depth_36jb.dgn