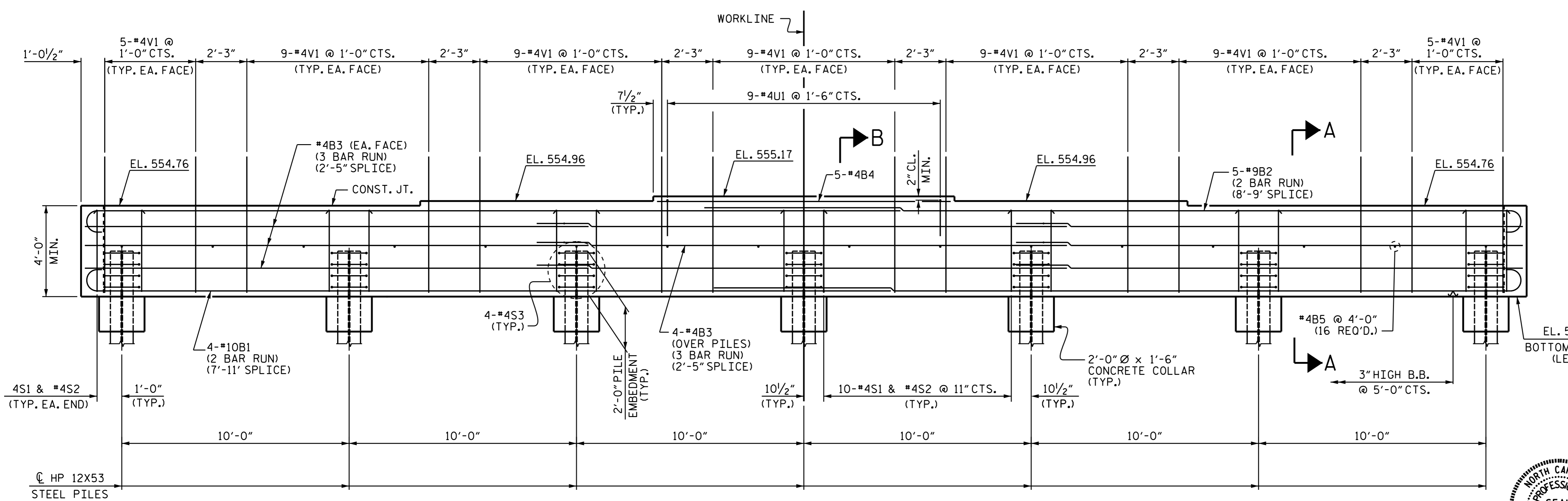
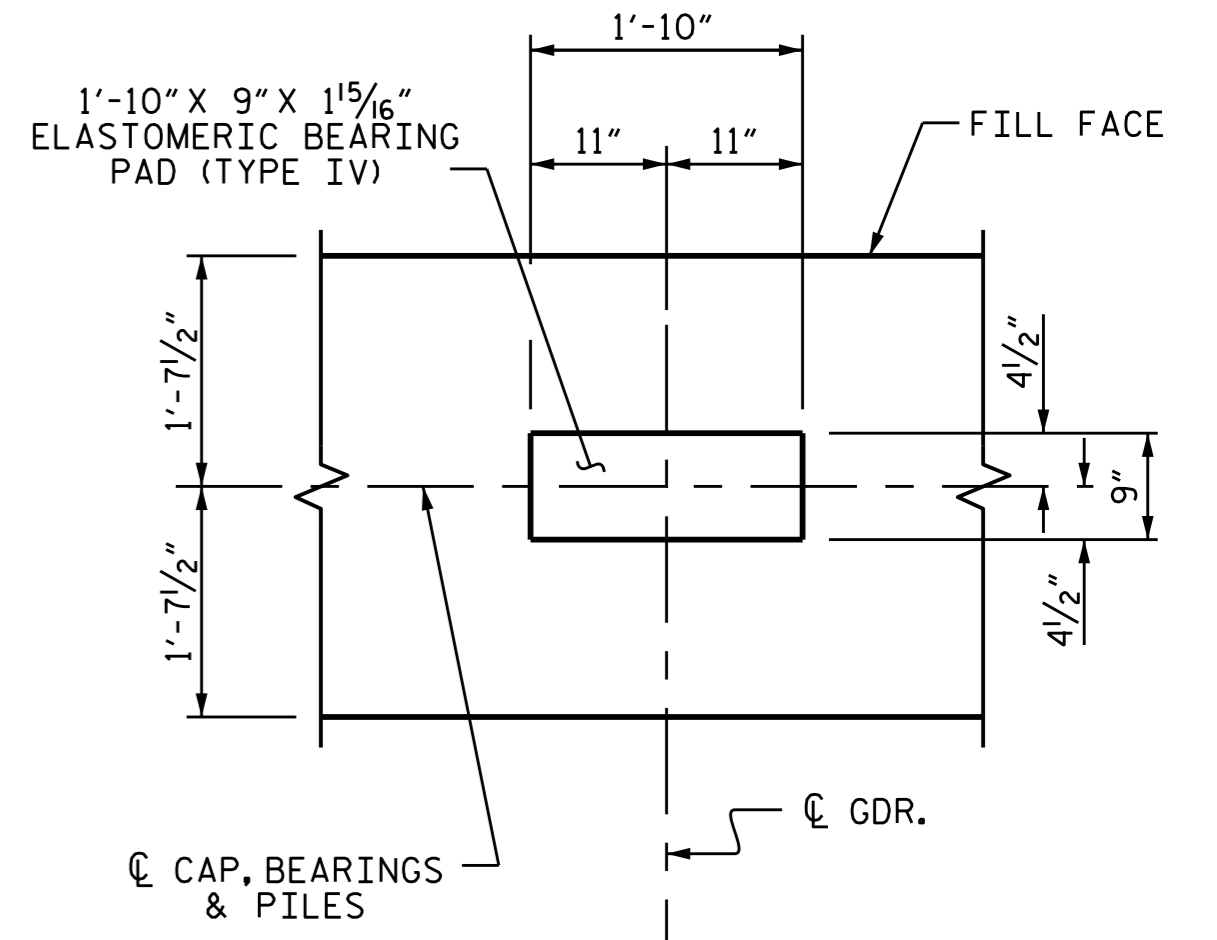


PLAN



ELEVATION

**NOTES**  
 THE UPPER PORTION OF THE WINGS SHALL BE POURED WITH THE SUPERSTRUCTURE. CONCRETE AND REINFORCING STEEL QUANTITIES ARE INCLUDED IN THE SUPERSTRUCTURE BILL OF MATERIALS. FOR DETAILS, SEE SUPERSTRUCTURE PLANS.  
 THE TOP SURFACE OF THE END BENT CAP AND WINGS, EXCEPT THE BEARING AREA, SHALL BE RAKED TO A DEPTH OF 1/4".



DETAIL "A"

(DETAILS AND DIMENSIONS ARE TYPICAL FOR EACH BEARING)

PROJECT NO. B-5105  
MECKLENBURG COUNTY  
 STATION: 20+08.00 -L-

SHEET 1 OF 3



STATE OF NORTH CAROLINA DEPARTMENT OF TRANSPORTATION RALEIGH						SHEET NO. S-33
SUBSTRUCTURE INTEGRAL END BENT 2						
REVISIONS						TOTAL SHEETS 38
NO.	BY:	DATE:	NO.	BY:	DATE:	
1			3			
2			4			

DRAWN BY: R. P. PATEL DATE: 9-17-13  
 CHECKED BY: R. L. CHESSON DATE: 10-7-13  
 DESIGN ENGINEER OF RECORD: R. P. PATEL DATE: 3-18-14