

MAXIMUM ALLOWABLE SERVICE LOADS	
D.L.+L.L. (NO IMPACT)	
TYPE III	205 k
TYPE IV	225 k

**NOTES**

AT ALL FIXED POINTS OF SUPPORT, NUTS FOR ANCHOR BOLTS ARE TO BE TIGHTENED FINGER TIGHT AND THEN BACKED OFF 1/2 TURN. THE THREAD OF THE NUT AND BOLT SHALL THEN BE BURRED WITH A SHARP POINTED TOOL.

STEEL SOLE PLATES, ANCHOR BOLTS, NUTS, AND WASHERS SHALL BE GALVANIZED IN ACCORDANCE WITH THE STANDARD SPECIFICATIONS.

PRIOR TO WELDING, GRIND THE GALVANIZED SURFACE OF THE PORTION OF THE EMBEDDED PLATE AND SOLE PLATE THAT ARE TO BE WELDED. AFTER WELDING, DAMAGED GALVANIZED SURFACES SHALL BE REPAIRED IN ACCORDANCE WITH THE STANDARD SPECIFICATIONS.

WHEN WELDING THE SOLE PLATE TO THE EMBEDDED PLATE IN THE GIRDER, USE TEMPERATURE INDICATING WAX PENS, OR OTHER SUITABLE MEANS, TO ENSURE THAT THE TEMPERATURE OF THE SOLE PLATE DOES NOT EXCEED 300°F. TEMPERATURES ABOVE THIS MAY DAMAGE THE ELASTOMER.

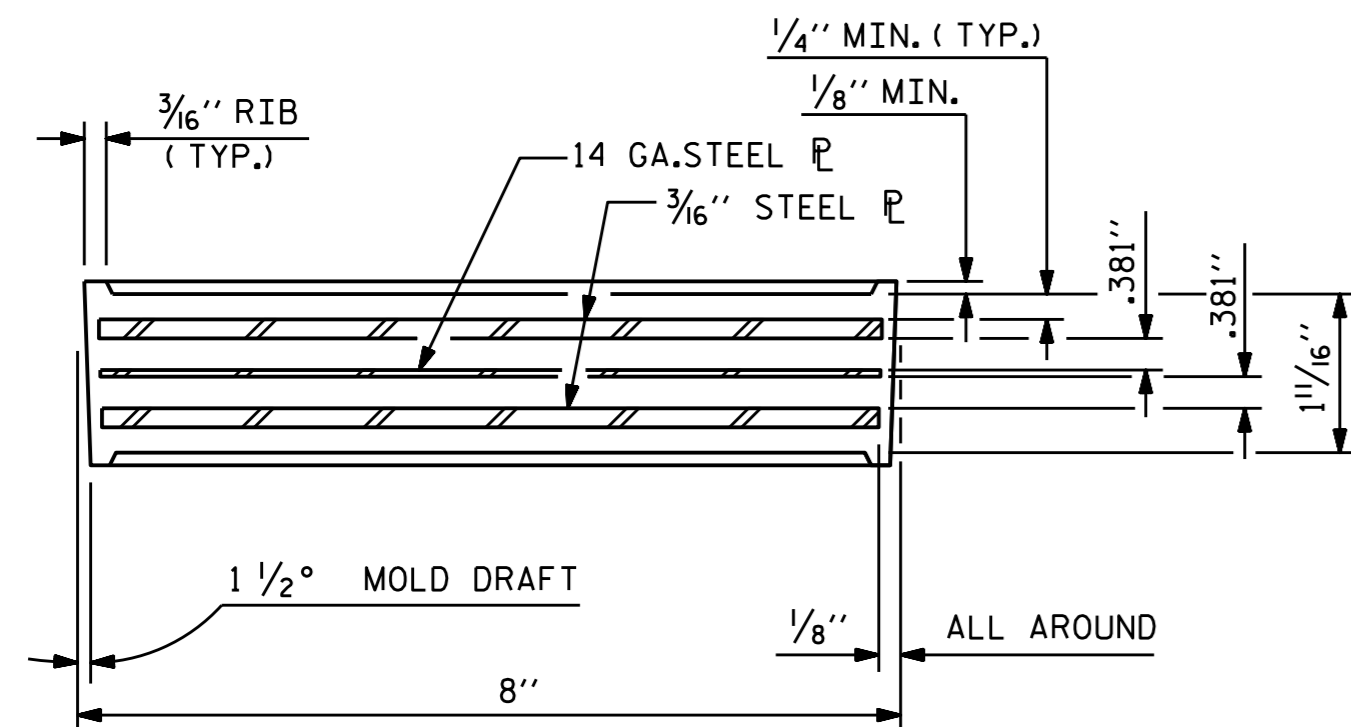
SOLE PLATE "P", BOLTS, NUTS, AND WASHERS SHALL BE INCLUDED IN THE PAY ITEM FOR PRESTRESSED CONCRETE GIRDERS.

ANCHOR BOLTS SHALL MEET THE REQUIREMENTS OF ASTM A449. NUTS SHALL MEET THE REQUIREMENTS OF AASHTO M291-DH OR AASHTO M292-2H. WASHERS SHALL MEET THE REQUIREMENTS OF AASHTO M293. SHOP DRAWINGS ARE NOT REQUIRED FOR ANCHOR BOLT, NUTS AND WASHERS. SHOP INSPECTION IS REQUIRED.

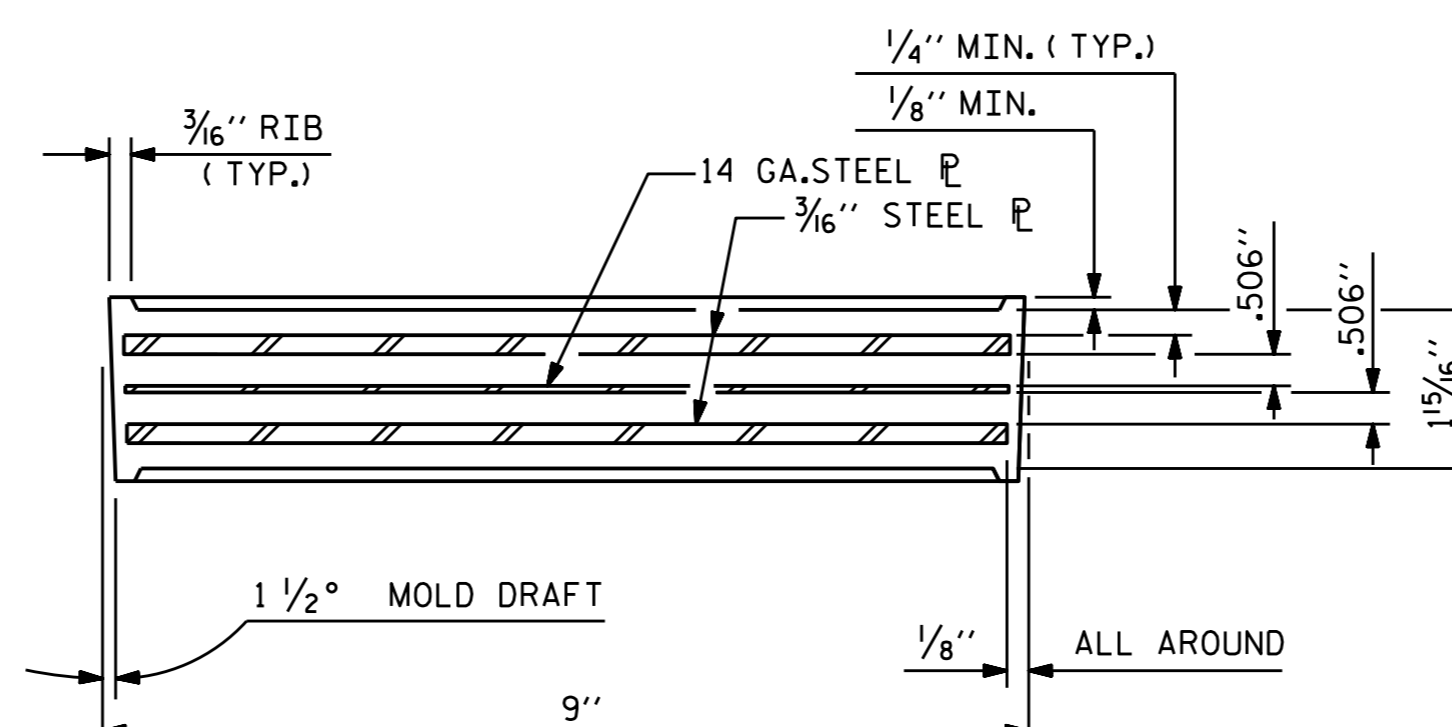
ALL SURFACES OF BEARING PLATES SHALL BE SMOOTH AND STRAIGHT.

THE ELASTOMER IN THE STEEL REINFORCED BEARINGS SHALL HAVE A SHEAR MODULUS OF 0.160 KSI, IN ACCORDANCE WITH AASHTO M251.

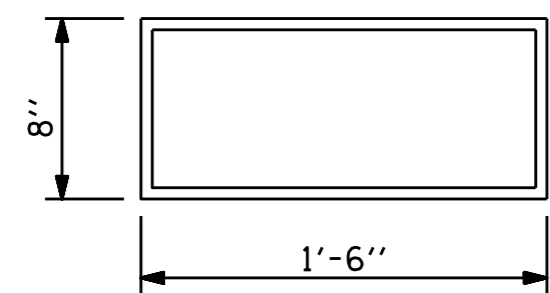
FOR STEEL REINFORCED ELASTOMERIC BEARINGS, SEE SPECIAL PROVISIONS.



TYPICAL SECTION OF ELASTOMERIC BEARINGS



TYPICAL SECTION OF ELASTOMERIC BEARINGS

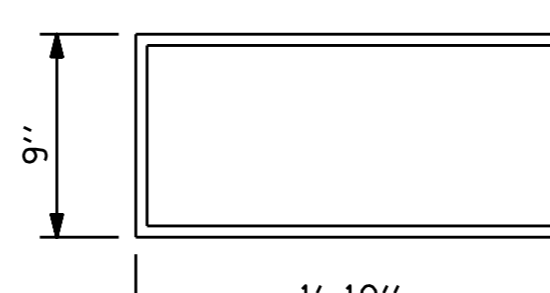


E2 (24 REQ'D)

PLAN VIEW OF ELASTOMERIC BEARING

**TYPE III**

(BENTS 1 & 2)

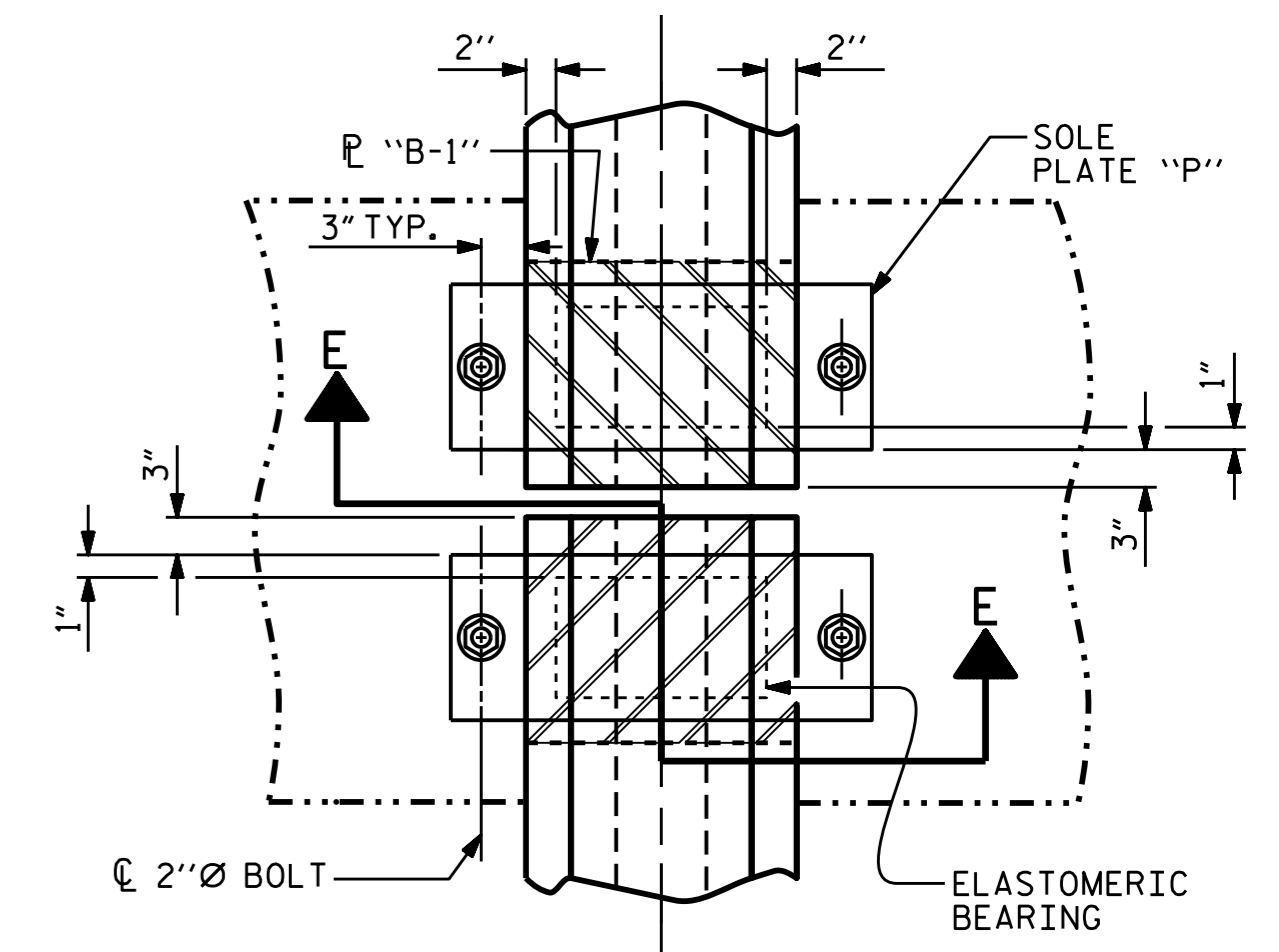


E3 (12 REQ'D)

PLAN VIEW OF ELASTOMERIC BEARING

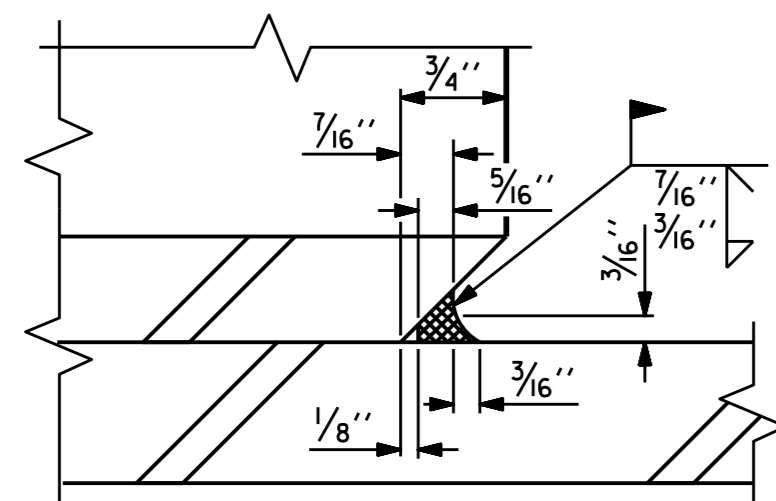
**TYPE IV**

(END BENTS 1 & 2)

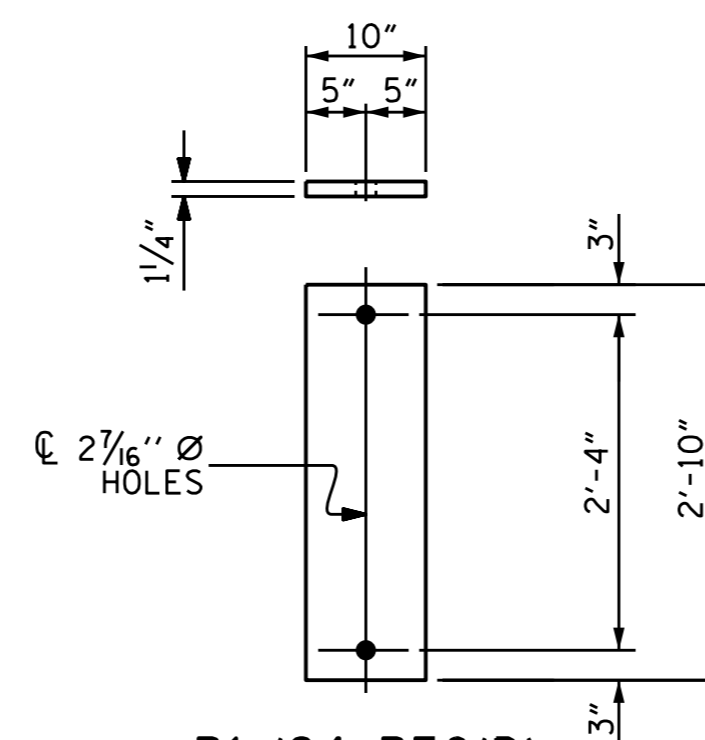


TYPICAL PLAN

(CONTINUOUS BENT)



DETAIL "A"



P1 (24 REQ'D)

(FIXED)

SOLE PLATE DETAILS (P1)

PROJECT NO. B-5105  
MECKLENBURG COUNTY  
 STATION: 20+08.00 -L-

STATE OF NORTH CAROLINA  
 DEPARTMENT OF TRANSPORTATION  
 RALEIGH  
 STANDARD  
 ELASTOMERIC BEARING  
 DETAILS  
 PRESTRESSED CONCRETE GIRDER  
 SUPERSTRUCTURE



DocuSigned by:  
 Raman P. Patel  
 60F53785DA1F41D  
 6/15/2015

REVISIONS						SHEET NO.
NO.	BY:	DATE:	NO.	BY:	DATE:	S-18
1			3			TOTAL SHEETS
2			4			38

ASSEMBLED BY : R. P. PATEL	DATE : 9-13-13		
CHECKED BY : J. P. MCCARTHA	DATE : 9-27-13		
DRAWN BY : WJH 8/89	REV. 10/1/11	MAA/GM	DESIGN ENGINEER OF RECORD:
CHECKED BY : CRK 8/89	REV. 6/13	AAC/MAA	R. P. PATEL
	REV. 1/15	MAA/TMG	DATE : 5/5/15