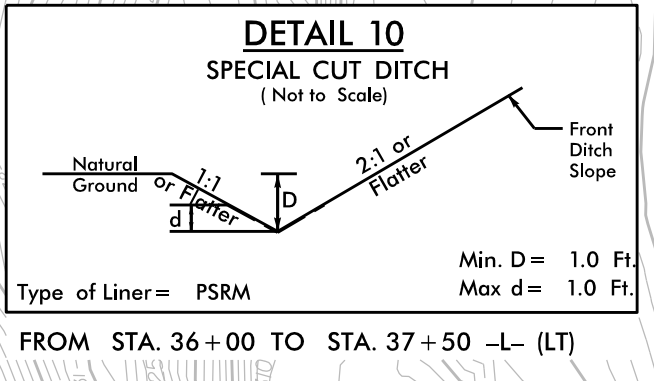
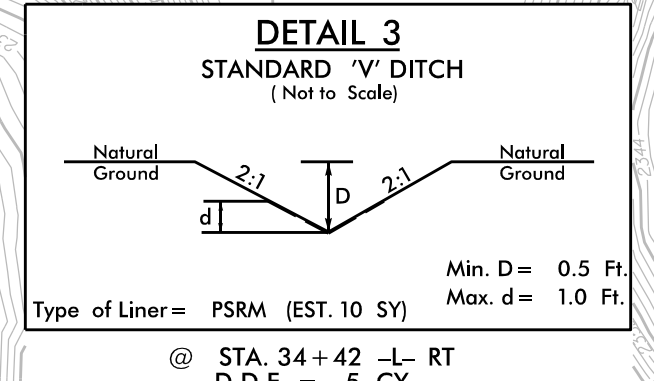
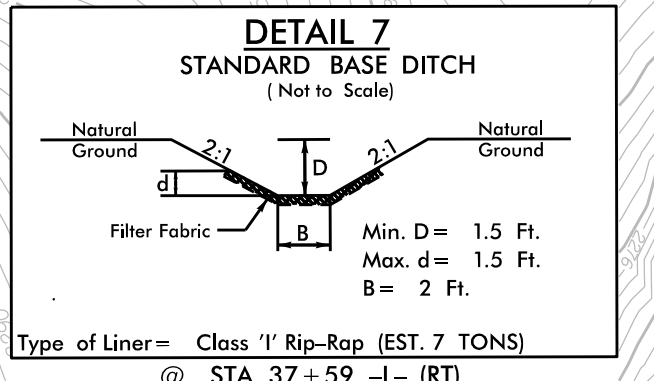
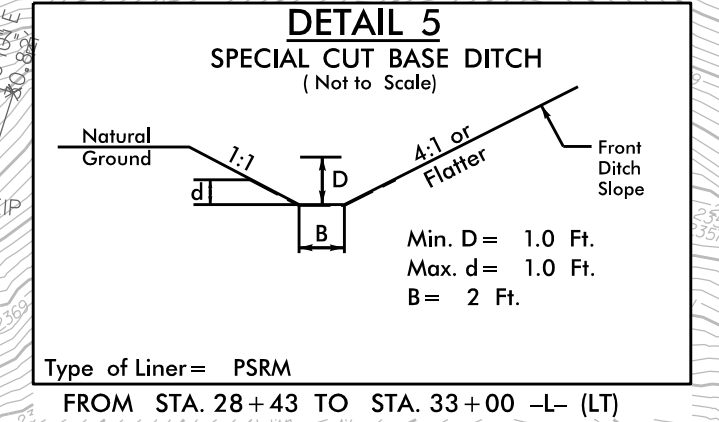
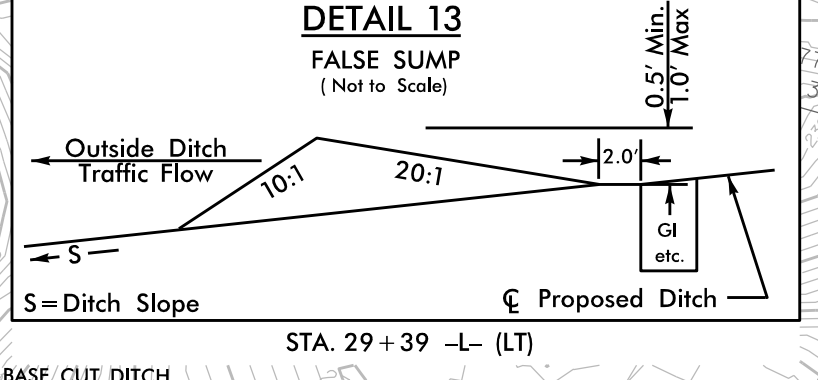
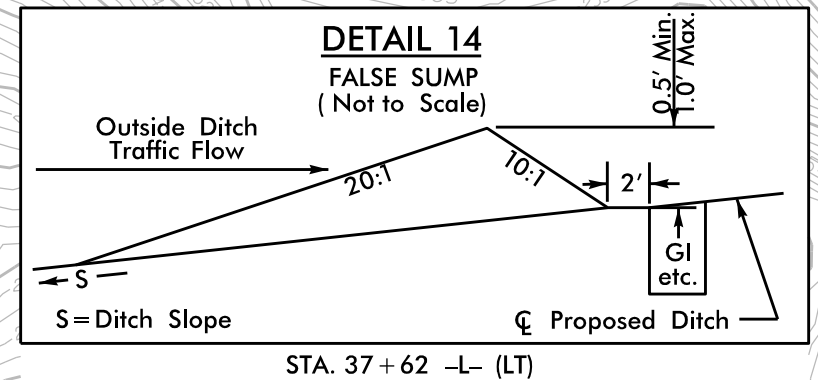
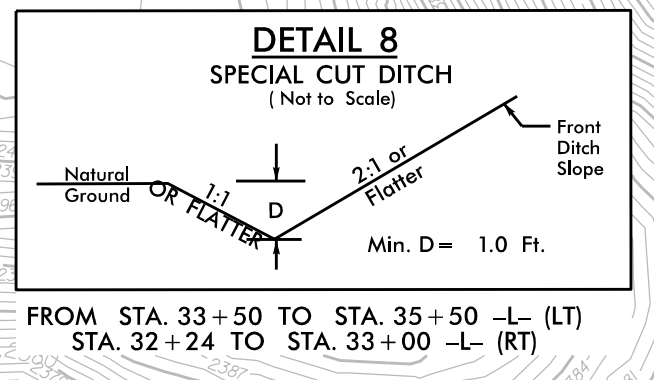
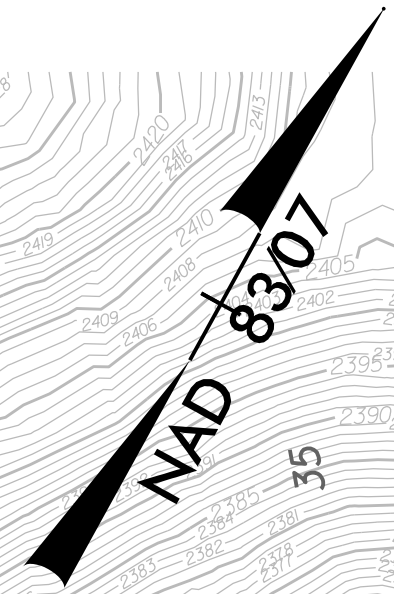


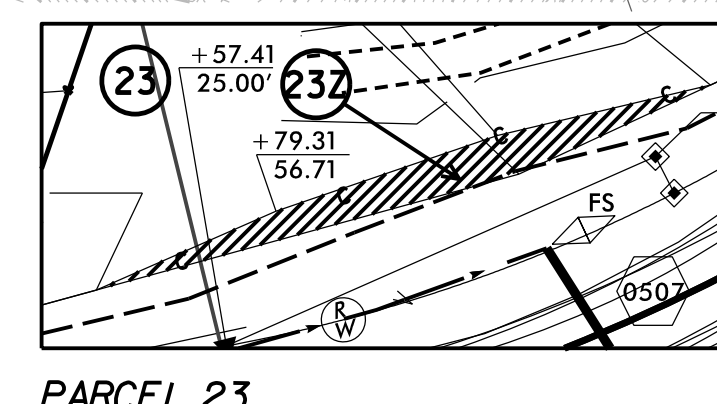
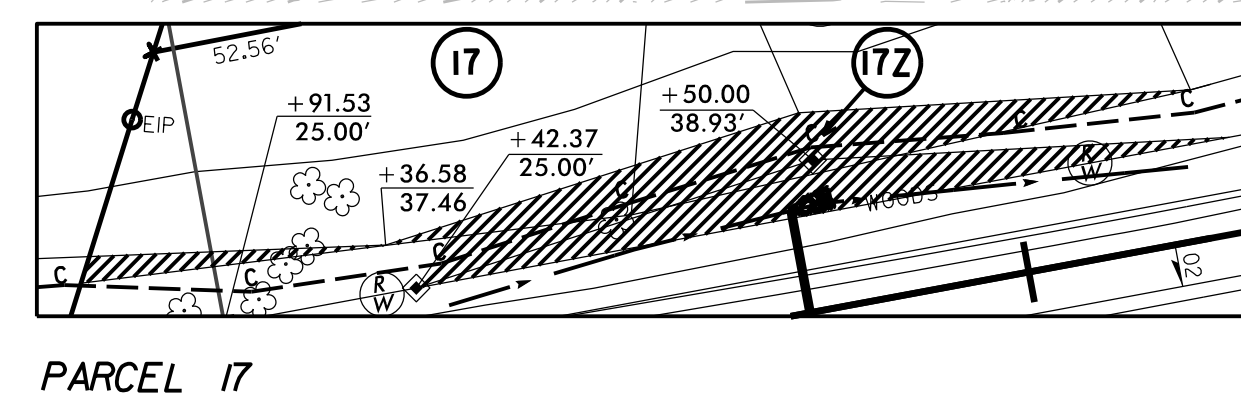
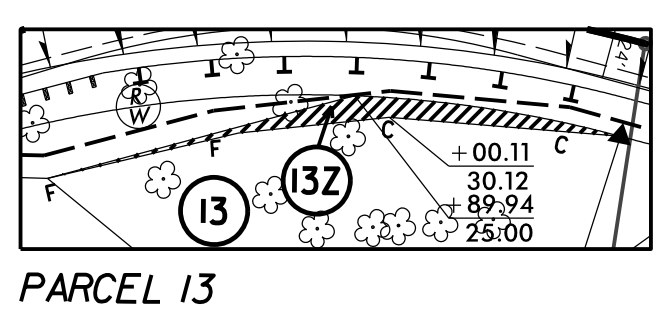
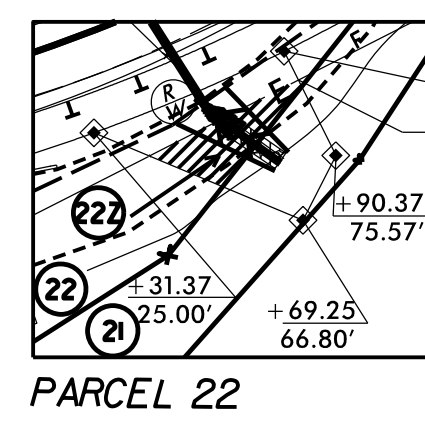
NOTE:
 ALL PERIMETER EROSION CONTROL MEASURES AND ROCK PIPE INLET SEDIMENT TRAPS TYPE B & TEMPORARY ROCK SILT CHECKS TYPE A AT EXISTING CULVERTS SHALL BE INSTALLED PRIOR TO ANY GRUBBING OPERATIONS WITHIN PROJECT LIMITS.

NOTE:
 NO EROSION CONTROL DEVICES SHALL BE PLACED IN EXISTING DITCH LINES WITH LESS THAN 1'-0" DEPTH IF EXISTING ROAD IS TO REMAIN IN SERVICE DURING CONSTRUCTION ACTIVITIES.

NOTE:
 PLACE TEMPORARY ROCK SEDIMENT DAMS TYPE - B AND TEMPORARY ROCK SILT CHECKS TYPE - A AT DRAINAGE OUTLETS.



Z CLAIM DETAILS FOR PARCELS 13, 17, AND 22



CLEARING AND GRUBBING EROSION CONTROL FOR CONSTRUCTION SHEET 5

RADIAT DRIVEWAYS ARE 10' UNLESS SHOWN OTHERWISE

NOTE: SEE PLAN SHEET 9 & 10 FOR -L- PROFILE

