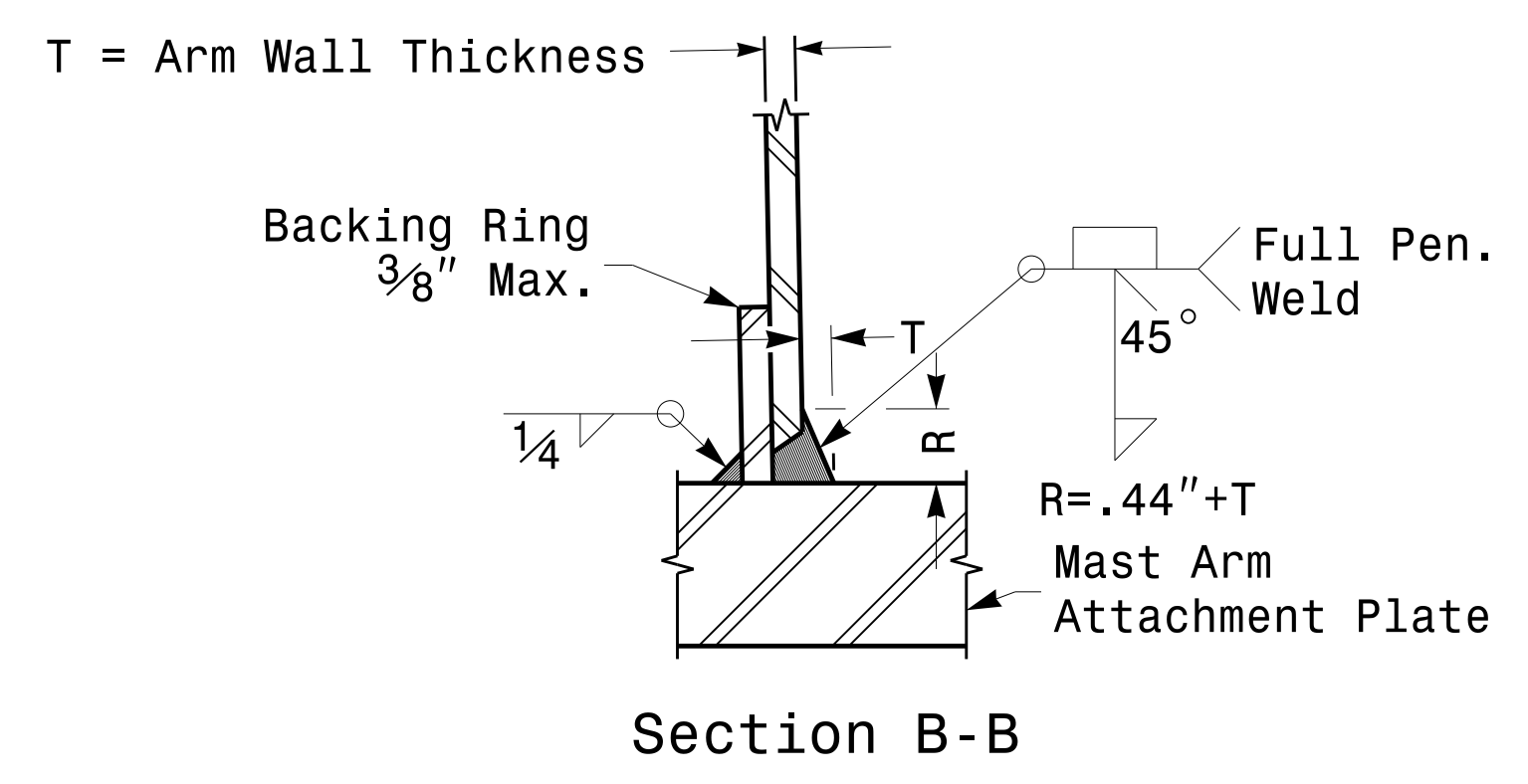
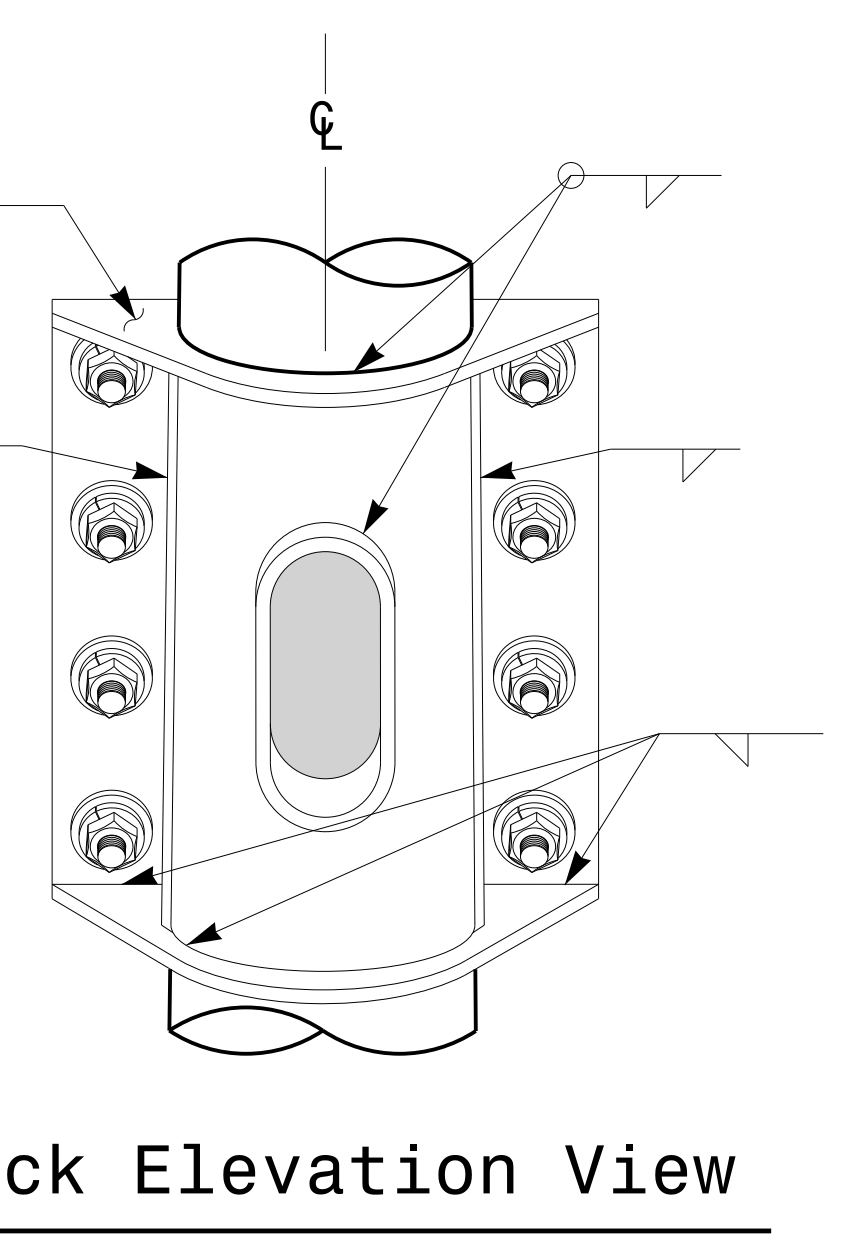
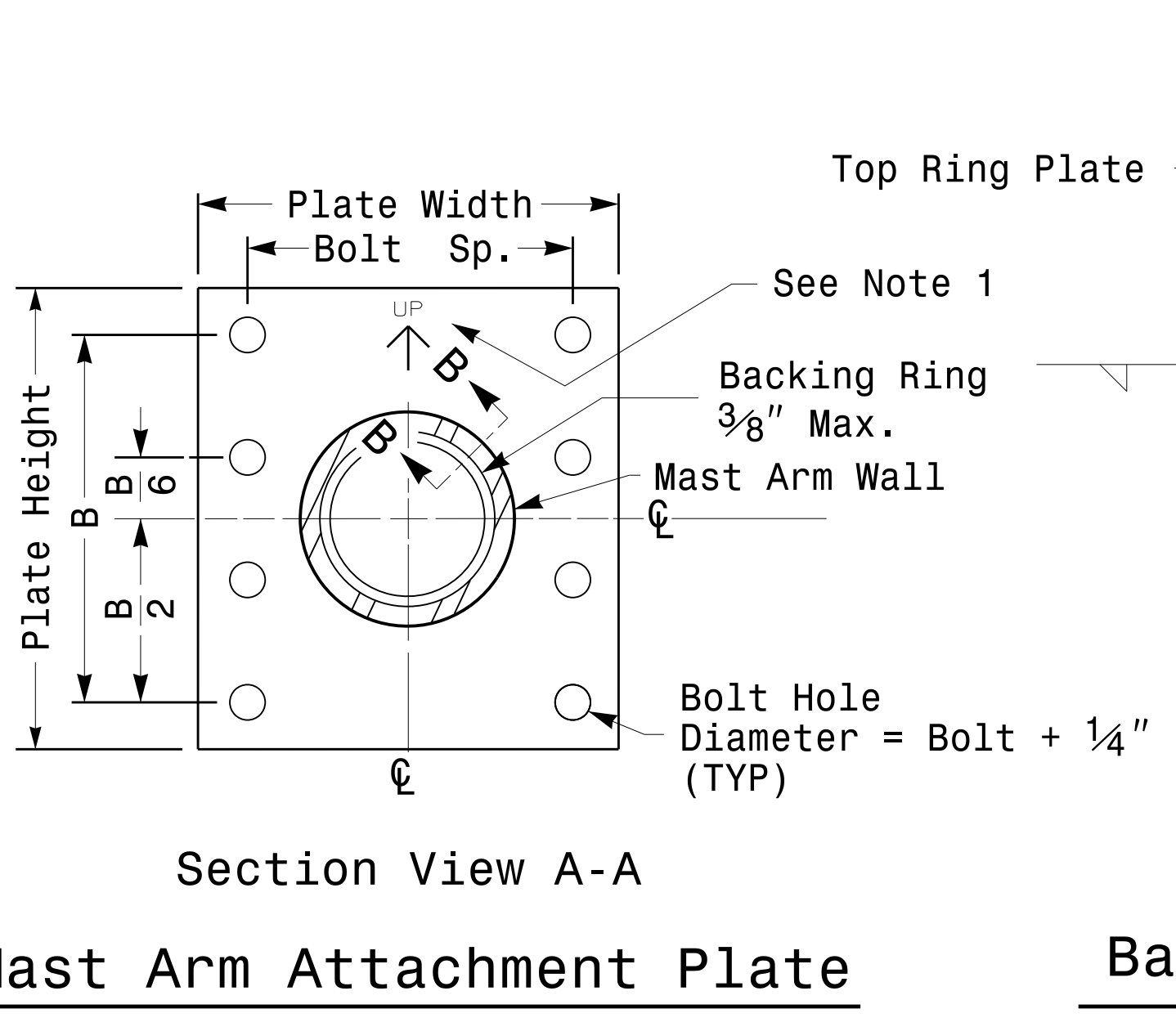
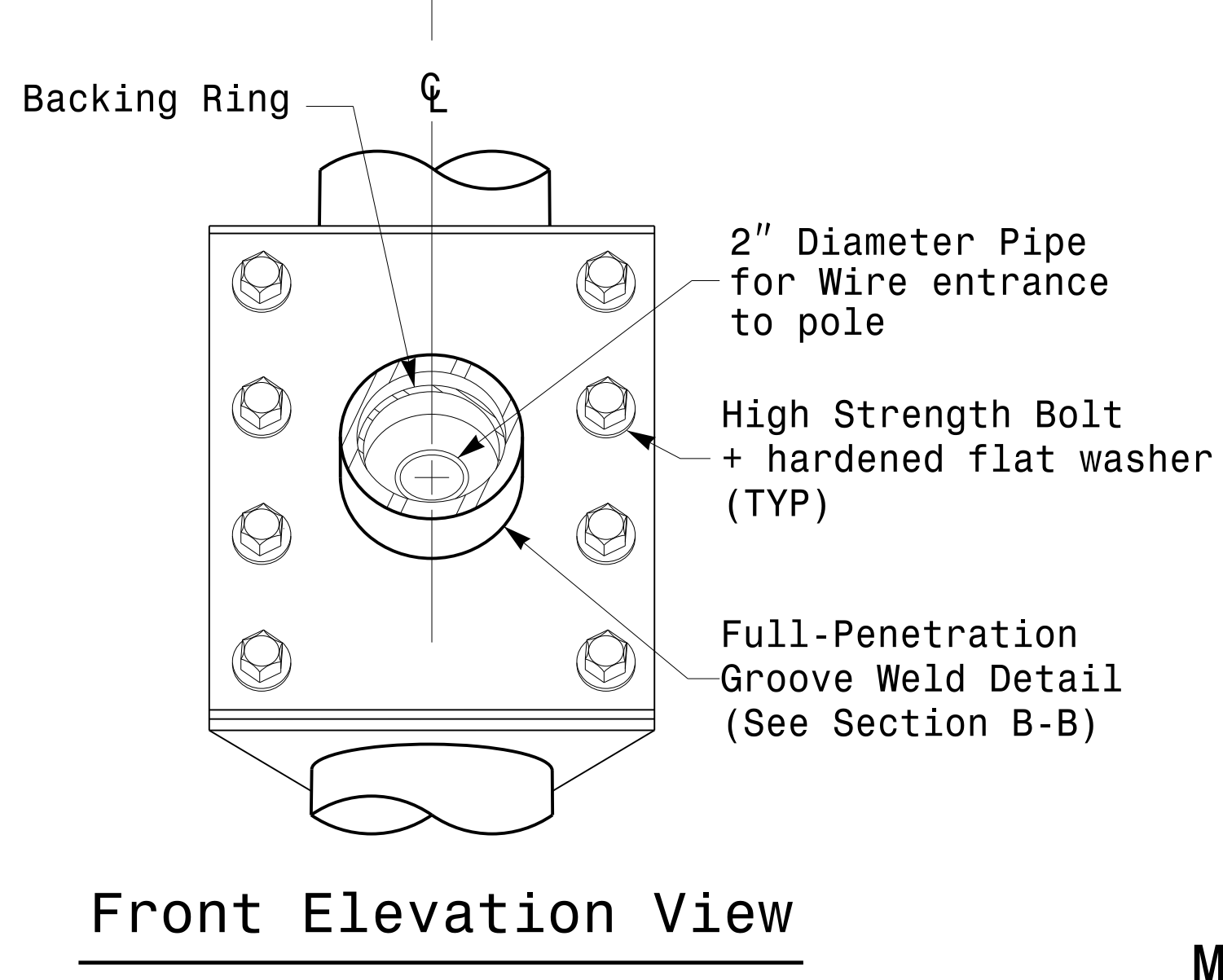
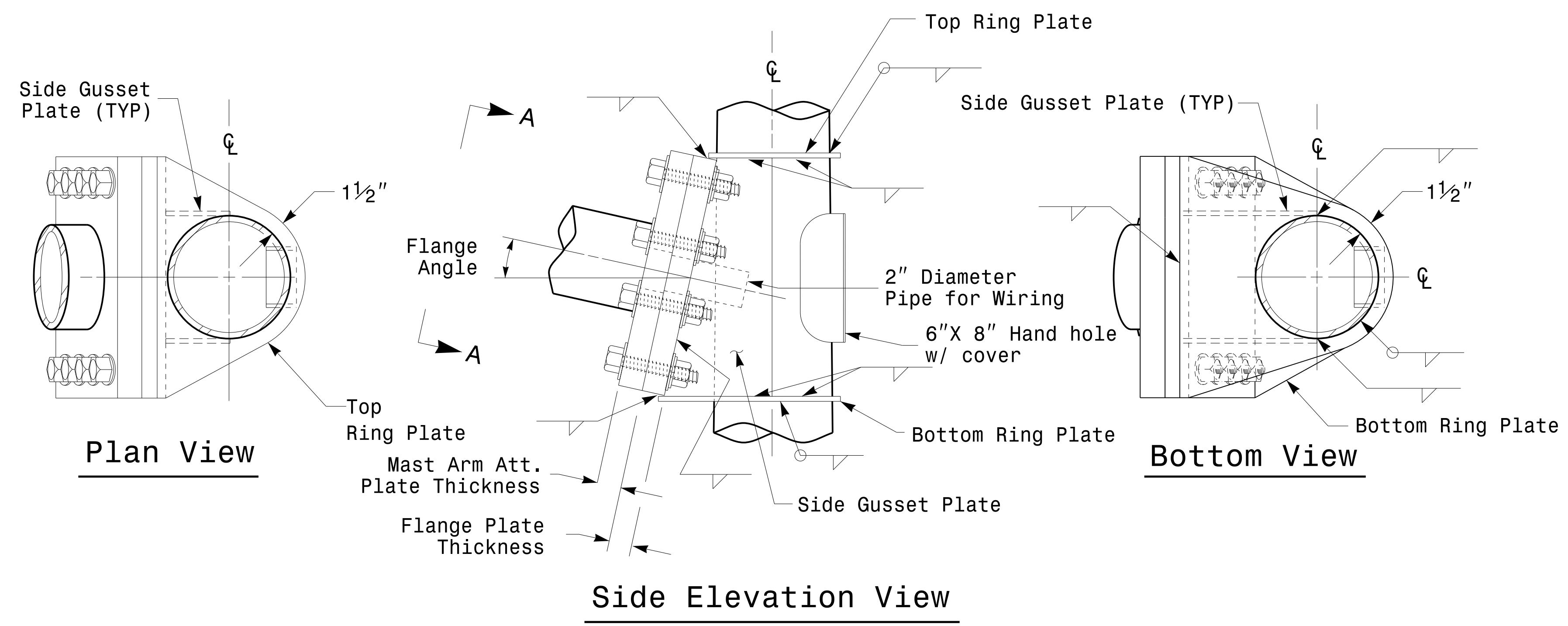


Welded Ring Stiffened Mast Arm Connection



Notes:

1. Provide a permanent means of identification above the mast arm to indicate proper attachment orientation of the mast arm.
2. Designer will determine the size of all structural components, plates, fasteners, and welds shown unless they are already specified.
3. Designer is responsible for providing appropriate drainage points.

04-M5-2014-1328
S:\MITS\SIGNALS\SIGNAL\Signal Design Section\Eastern Region\Mast Arms\2012_M5_Fab_Details\MastArms.dgn
7/20/14 cwoy

Fabrication Details – Mast Arm Poles

<p>750 N. Greenfield Pkwy, Garner, NC 27529</p>	<p>Prepared In the Offices of:</p> <p>Fabrication Details For Mast Arm Connection To Pole</p>		
	<p>PLAN DATE: AUGUST 2013</p> <p>PREPARED BY: N. BITTING</p> <p>SCALE: 0 NA NONE</p>	<p>DESIGNED BY: C.F. ANDREWS</p> <p>REVIEWED BY: D.C. SARKAR</p> <p>REVISIONS</p>	