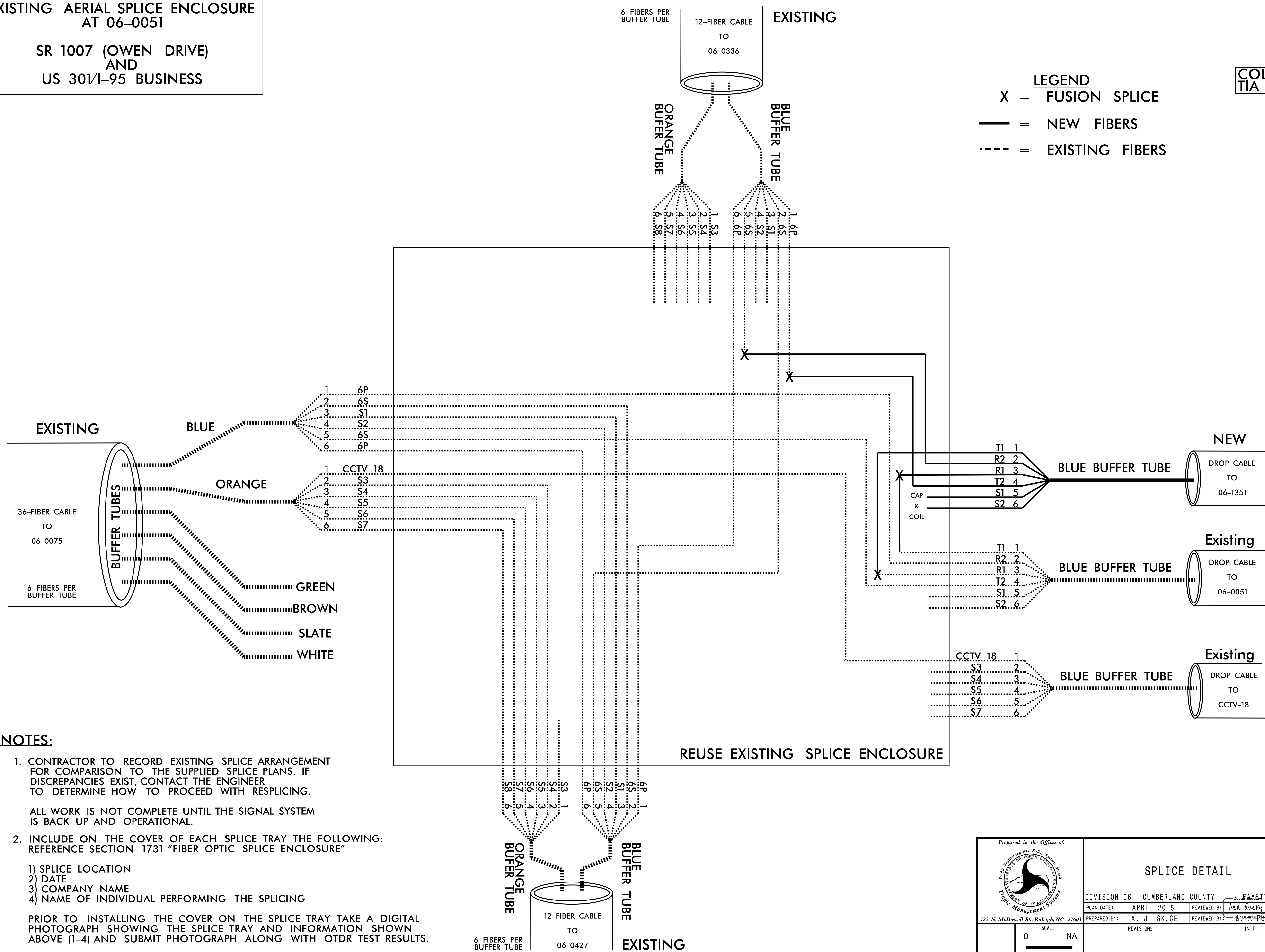


EXISTING AERIAL SPLICE ENCLOSURE AT 06-0051
 SR 1007 (OWEN DRIVE) AND US 301/I-95 BUSINESS

LEGEND
 X = FUSION SPLICE
 — = NEW FIBERS
 - - - = EXISTING FIBERS

COLOR CODE TIA /EIA 598-A
 (1) BLUE
 (2) ORANGE
 (3) GREEN
 (4) BROWN
 (5) SLATE
 (6) WHITE



NOTES:

- CONTRACTOR TO RECORD EXISTING SPLICE ARRANGEMENT FOR COMPARISON TO THE SUPPLIED SPLICE PLANS. IF DISCREPANCIES EXIST, CONTACT THE ENGINEER TO DETERMINE HOW TO PROCEED WITH RESPLICING.
- ALL WORK IS NOT COMPLETE UNTIL THE SIGNAL SYSTEM IS BACK UP AND OPERATIONAL.
- INCLUDE ON THE COVER OF EACH SPLICE TRAY THE FOLLOWING: REFERENCE SECTION 1731 "FIBER OPTIC SPLICE ENCLOSURE"
 - SPLICE LOCATION
 - DATE
 - COMPANY NAME
 - NAME OF INDIVIDUAL PERFORMING THE SPLICING

PRIOR TO INSTALLING THE COVER ON THE SPLICE TRAY TAKE A DIGITAL PHOTOGRAPH SHOWING THE SPLICE TRAY AND INFORMATION SHOWN ABOVE (1-4) AND SUBMIT PHOTOGRAPH ALONG WITH OTDR TEST RESULTS.

	SPLICE DETAIL		SEAL
	DIVISION 06 CUMBERLAND COUNTY PLAN DATE: APRIL 2015 PREPARED BY: A. J. SKUCE SCALE: 0 NA		