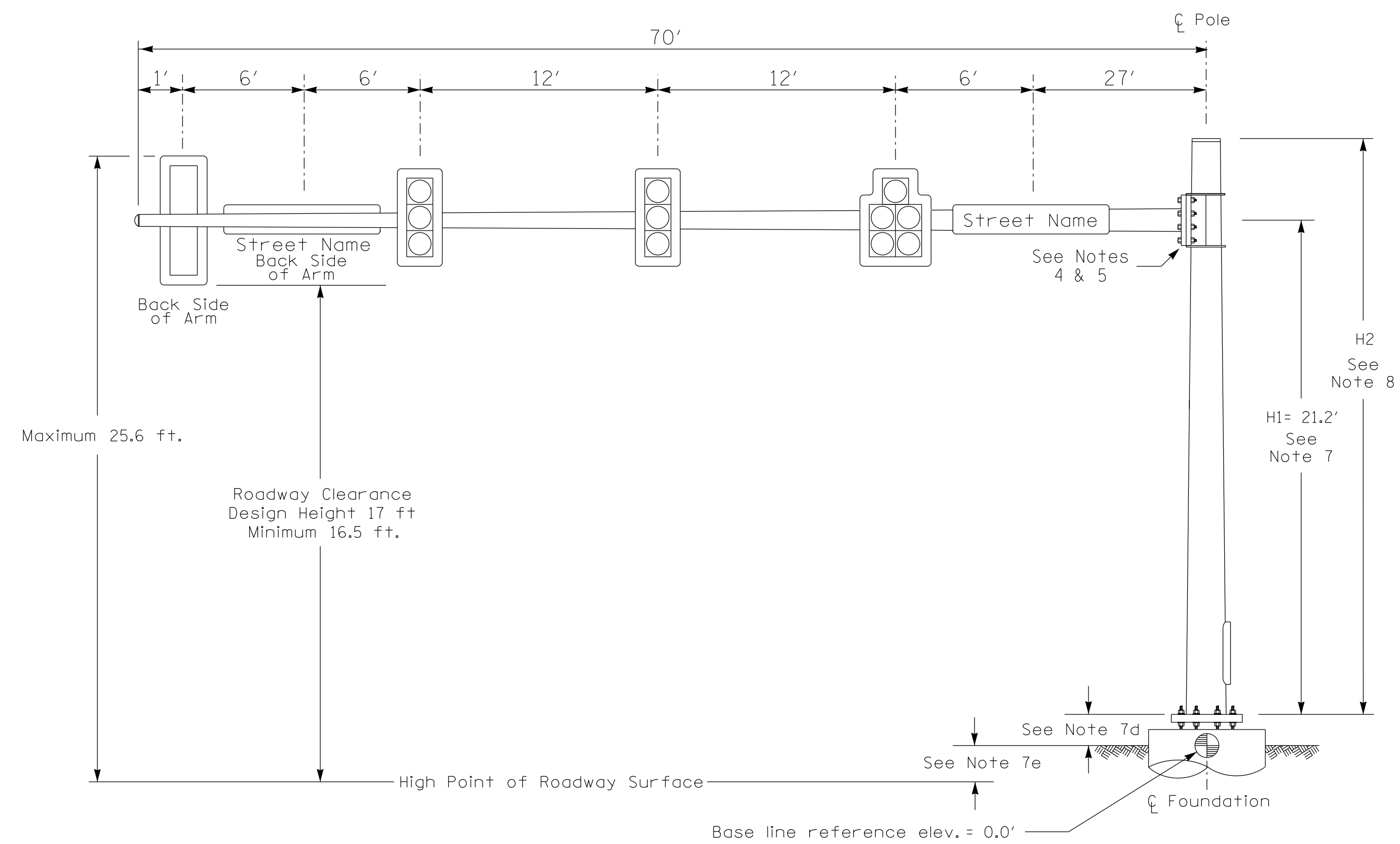


Design Loading for METAL POLE NO. 1



Elevation View

SPECIAL NOTE

The contractor is responsible for verifying that the mast arm attachment height (H1) will provide the "Design Height" clearance from the roadway before submitting final shop drawings for approval. Verify elevation data below which was obtained by field measurement or from available project survey data.

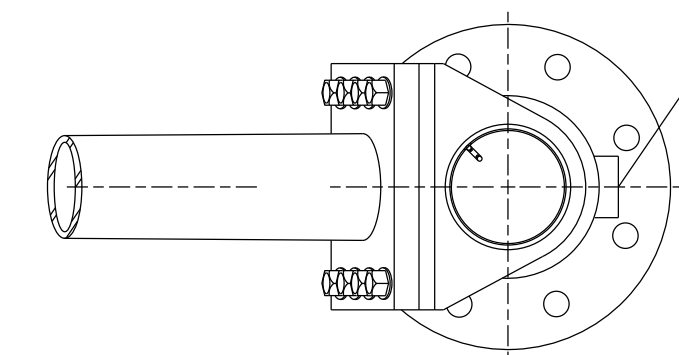
Elevation Data for Mast Arm Attachment (H1)

Elevation Differences for:	Pole 1	N/A
L	+2.23 ft.	+/-0.0 ft.
	-0.32 ft.	+/-0.0 ft.

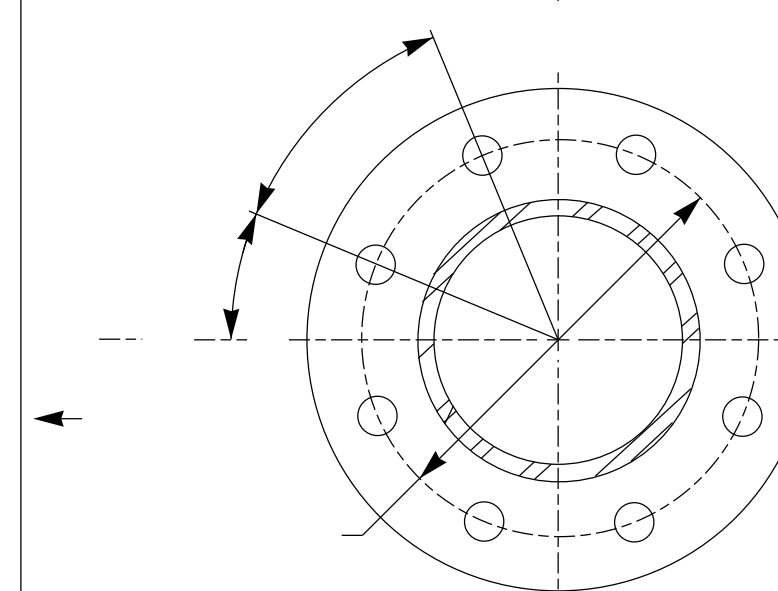
MAST ARM LOADING SCHEDULE

LOADING SYMBOL	DESCRIPTION	AREA	SIZE	WEIGHT
	RIGID MOUNTED SIGNAL HEAD 12"-5 SECTION-WITH BACKPLATE	16.3 S.F.	42.0" W X 56.0" L	103 LBS
	RIGID MOUNTED SIGNAL HEAD 12"-4 SECTION-WITH BACKPLATE	11.5 S.F.	25.5" W X 66.0" L	74 LBS
	RIGID MOUNTED SIGNAL HEAD 12"-3 SECTION-WITH BACKPLATE	9.3 S.F.	25.5" W X 52.5" L	60 LBS
	SIGN RIGID MOUNTED	5.0 S.F.	24.0" W X 30.0" L	11 LBS
	STREET NAME SIGN RIGID MOUNTED	16.0 S.F.	24.0" W X 96.0" L	36 LBS

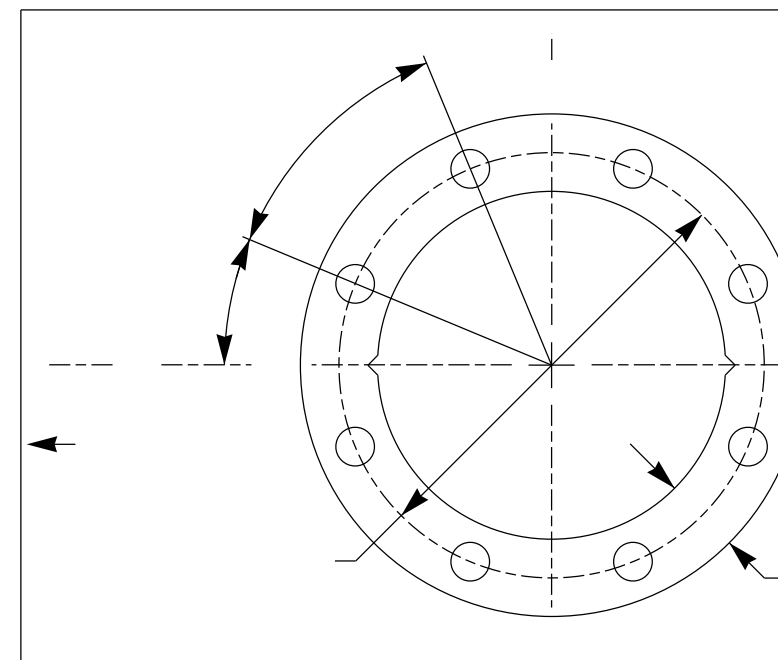
NOTES



POLE RADIAL ORIENTATION



8 BOLT BASE PLATE DETAIL



BASE PLATE TEMPLATE & ANCHOR BOLT  
LOCK PLATE DETAIL  
For 8 Bolt Base Plate

NCDOT Wind Zone 3 (110 mph)

 Prepared For the Offices of: TRANSPORTATION MOBILITY AND SAFETY DIVISION STATE OF NORTH CAROLINA SIGNAL DESIGN SECTION 750 N. Greenfield Pkwy, Garner, NC 27529	SR 1107 (Owen Drive) at Dallas Street		SEAL NORTH CAROLINA PROFESSIONAL SEAL 19713 ENGINEER DONALD J. DARITY
	Division 6 Cumberland County Fayetteville PLAN DATE: April 2015 REVIEWED BY: J.L. Lewis PREPARED BY: D.J. Darity VHB PROJECT NO.: 38286.03	REVISIONS INIT. DATE	
SCALE 0 N/A N/A			SIG. INVENTORY NO. 06-1351

**vhb**  
 4000 WestChase Boulevard, Suite 530  
 Raleigh, NC 27607  
 NC License No. C-3705

\$\$\$\$\$SYTIME\$\$\$\$\$  
 \$\$\$DOCS\$\$\$\$\$  
 \$\$\$USERNAME\$\$\$\$\$