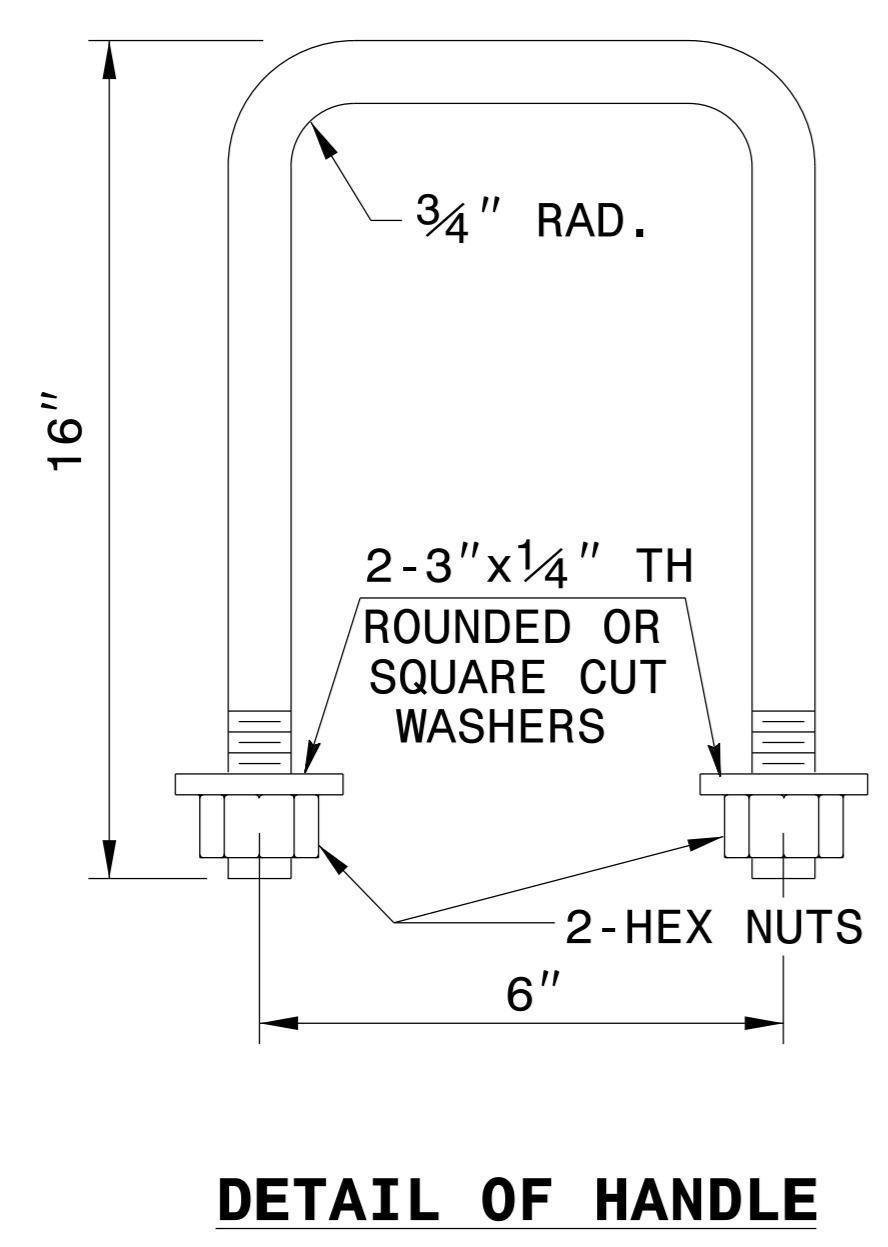
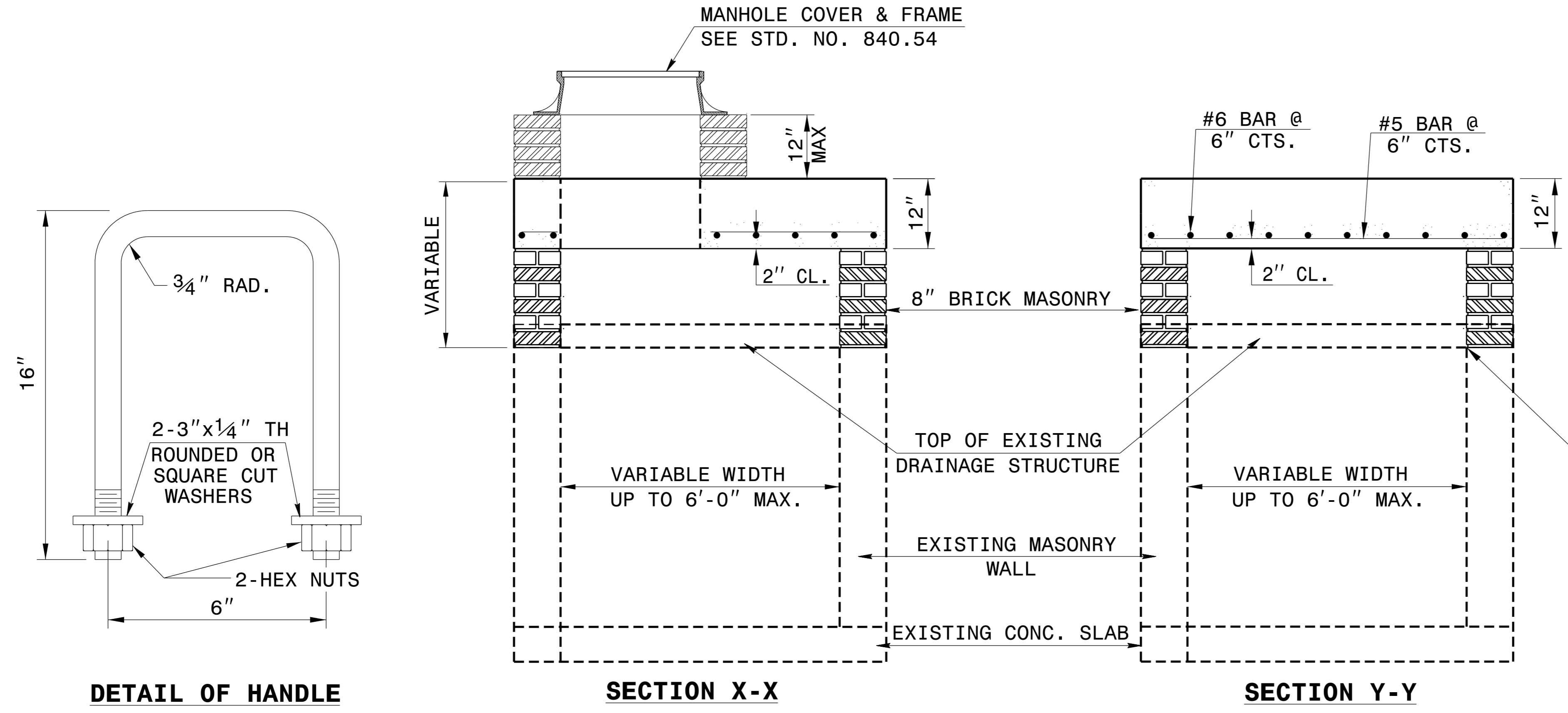


BILL OF MATERIALS			
<b>MASONRY</b>			
TOP SLAB CONCRETE CLASS "A"	.037YDS <sup>3</sup> PER FT <sup>2</sup>		
BRICK MASONRY	.025YDS <sup>3</sup> PER FT <sup>2</sup>		
REINFORCING STEEL	7.64LBS PER FT <sup>2</sup>		
<b>MANHOLE OPTION QUANTITIES</b>			
SIZE	QTY.	LENGTH	REINF. STEEL LBS.
#5 DIAG.	8	1'-1"	9.04



GENERAL NOTES:  
CONCRETE AND REINFORCING STEEL QUANTITIES  
BASED ON SQUARE FOOT AREA OF THE PROPOSED  
TOP SLAB FOR THE EXISTING DRAINAGE STRUCTURE.

BRICK MASONRY QUANTITY IS BASED ON THE TOTAL  
SQUARE FOOTAGE OF EXTERIOR WALL SURFACE  
AREA TO BE CONSTRUCTED.

CONSTRUCT IN ACCORDANCE WITH SECTION 859  
OF THE STANDARD SPECIFICATIONS.  
FIELD VERIFY THE DIMENSIONS FOR THE  
EXISTING BOXES.

ALIGN PROPOSED BRICK VERTICAL  
ADJUSTMENT TO INNER FACE OF WALL



<b>CONTRACT STANDARDS &amp; DEVELOPMENT UNIT STANDARDS AND SPECIAL DESIGN</b> Office 919-707-6900 FAX 919-250-4119	
<b>DETAIL TO CONVERT EXISTING DROP INLET OR CATCH BASIN TO TRAFFIC BEARING JUNCTION BOX (MANHOLE OPTIONAL)</b>	
ORIGINAL BY: _____	DATE: _____
MODIFIED BY: rnbritt	DATE: 11-21-2014
CHECKED BY: _____	DATE: _____
FILE SPEC.: details/nbritt/english/hydro/diorcbtbtbjb.dgn	

C:\TEMP\CONNECTION\USER\NAME\$\$\$\$\$