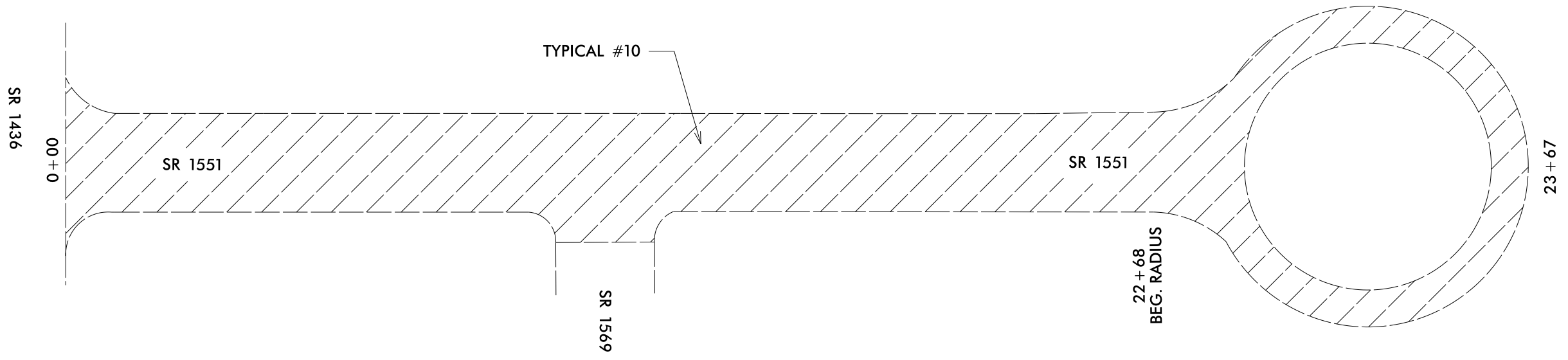
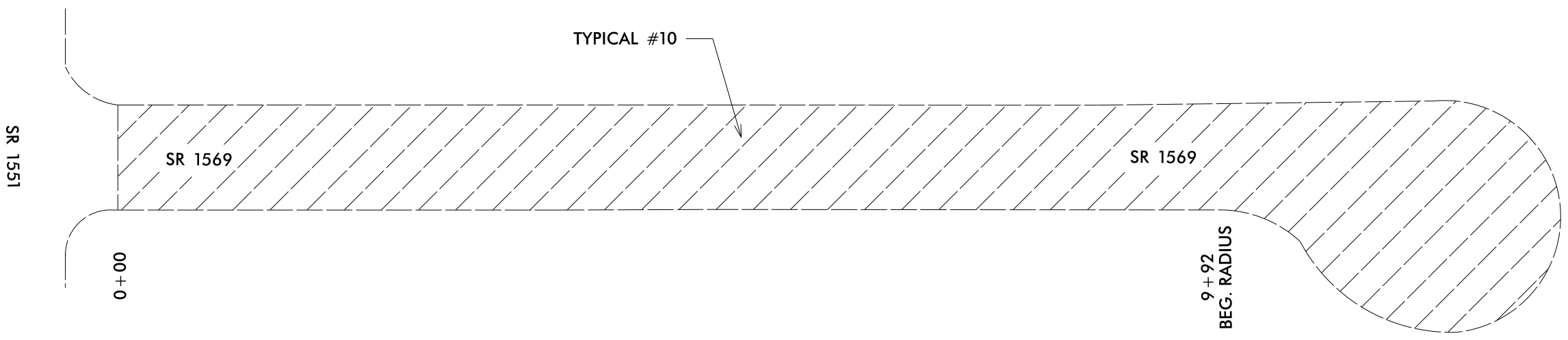


RICHMOND COUNTY

MAP 7



MAP 8



5/28/99
27-APR-2015 09:33
S:\Shored\Division8-Resurfacing\2016-Resurfacing\Richmond-June-2015.Let\Richmond Secondary Maps.dgn
Richmond