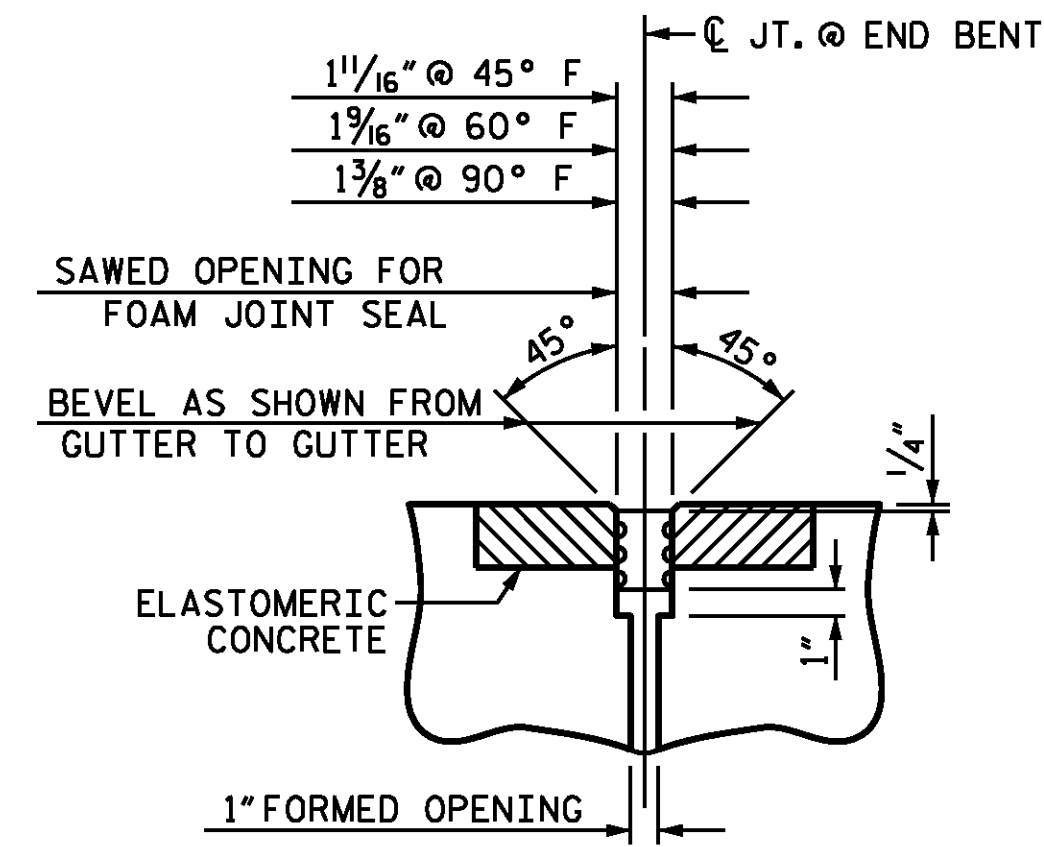


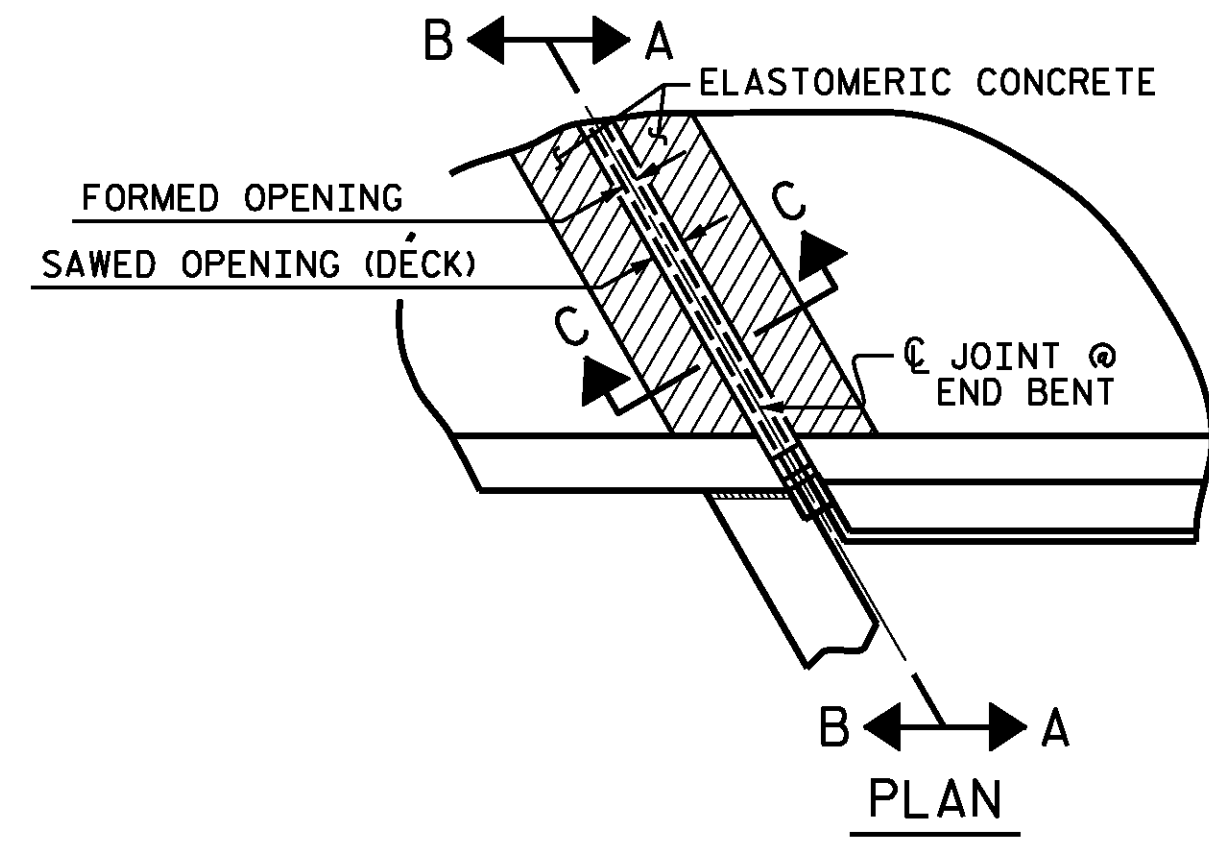
SECTION C-C
FOAM JOINT SEAL
(PRE-SAWED ELASTOMERIC
CONCRETE DIMENSIONS)



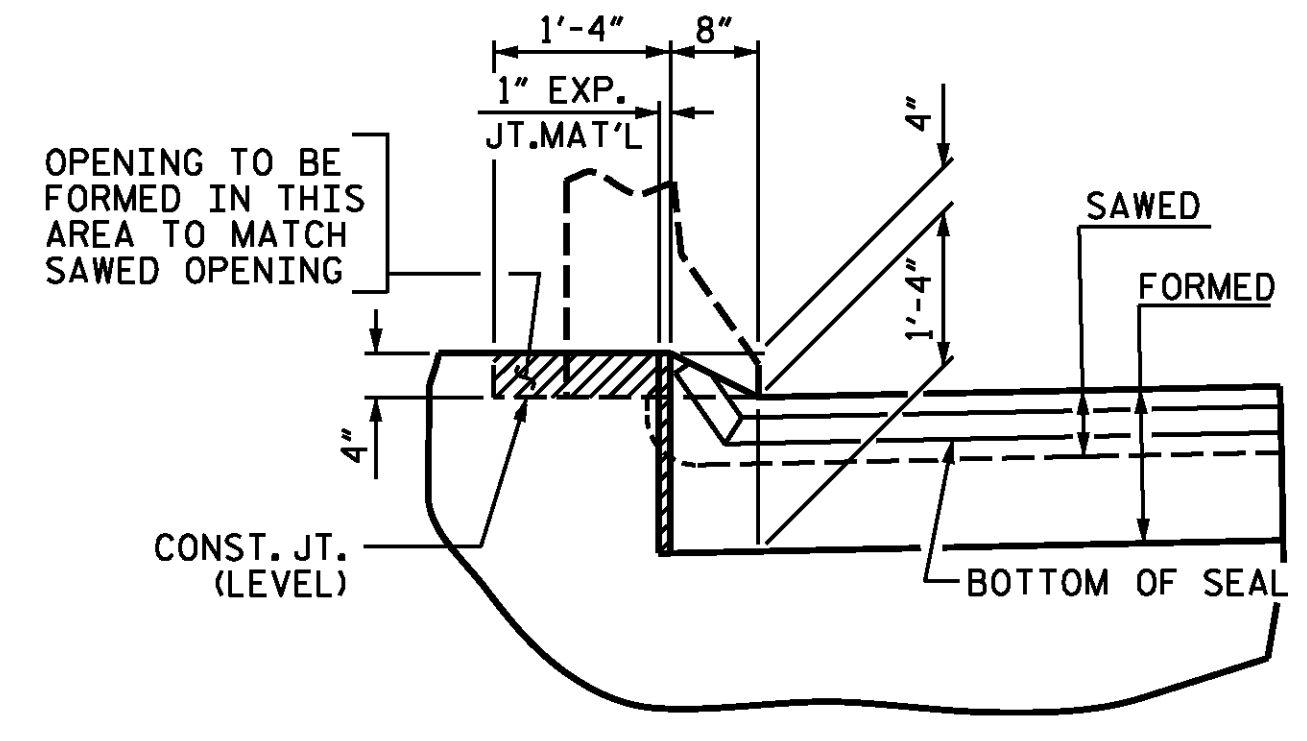
SECTION C-C
FOAM JOINT SEAL
(EXPANSION)

ELASTOMERIC CONCRETE	
END BENT NO.	ELASTOMERIC CONCRETE * (CU. FT.)
1	11.32
2	11.32
TOTAL	22.64

* BASED ON THE MINIMUM BLOCKOUT SHOWN.



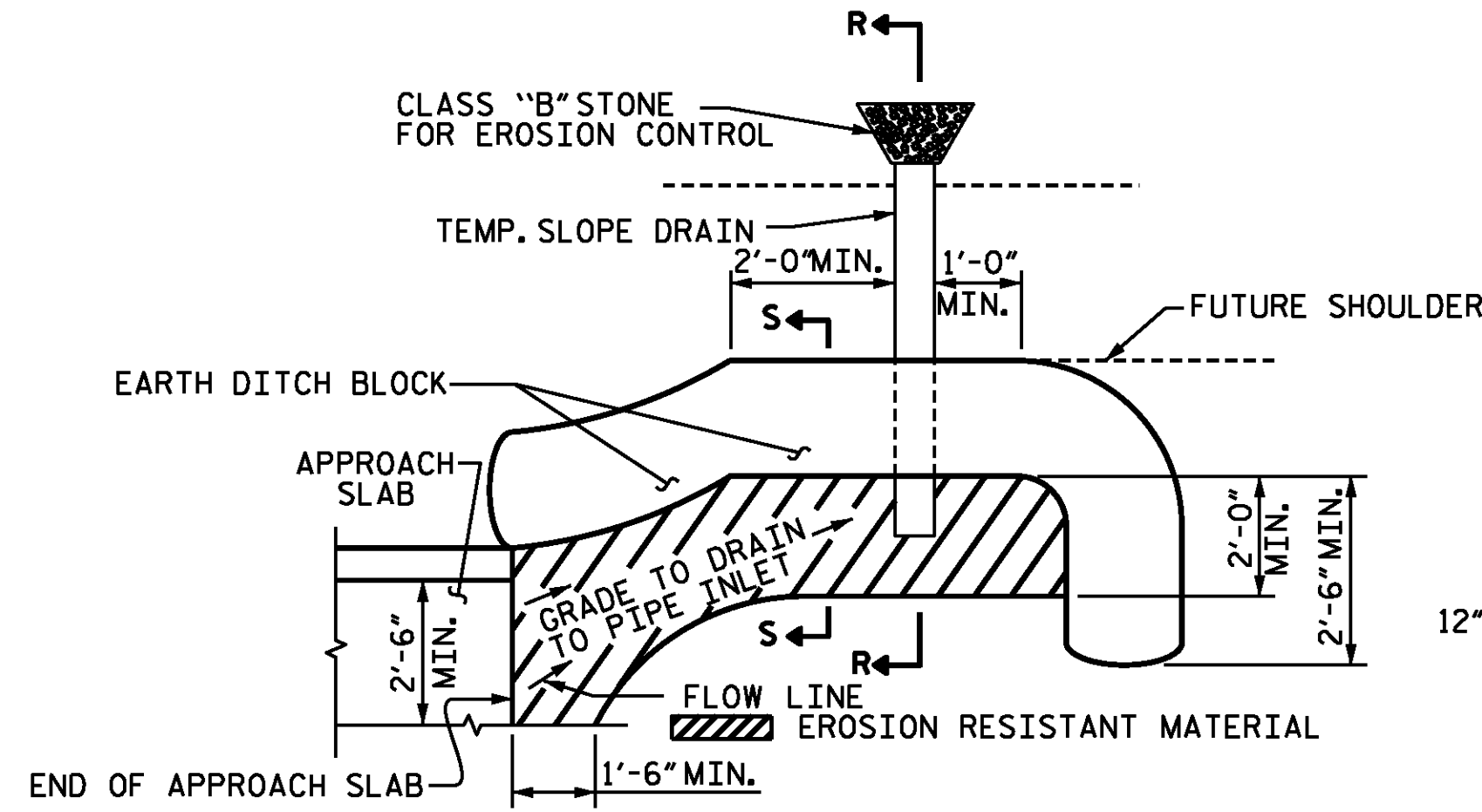
PLAN



SECTION B-B

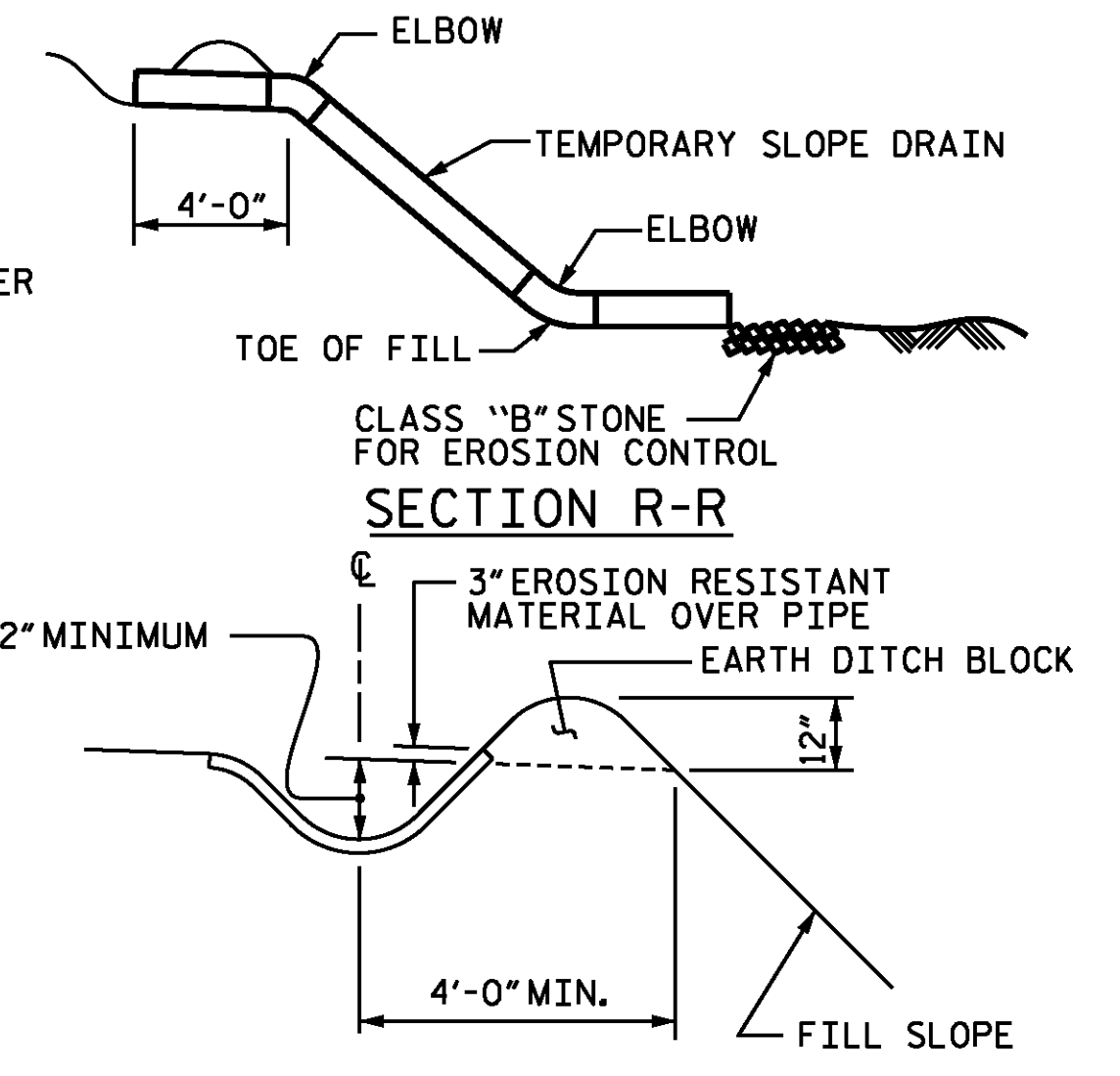
JOINT SEAL DETAILS @ END BENT

FOAM JOINT SEAL TO BE CUT, HEAT WELDED AND TURNED UP PARALLEL TO SLOPED FACE OF THE BARRIER RAIL.
THE JOINT SHALL BE SAWED PRIOR TO THE CASTING OF THE BARRIER RAIL.



PLAN VIEW

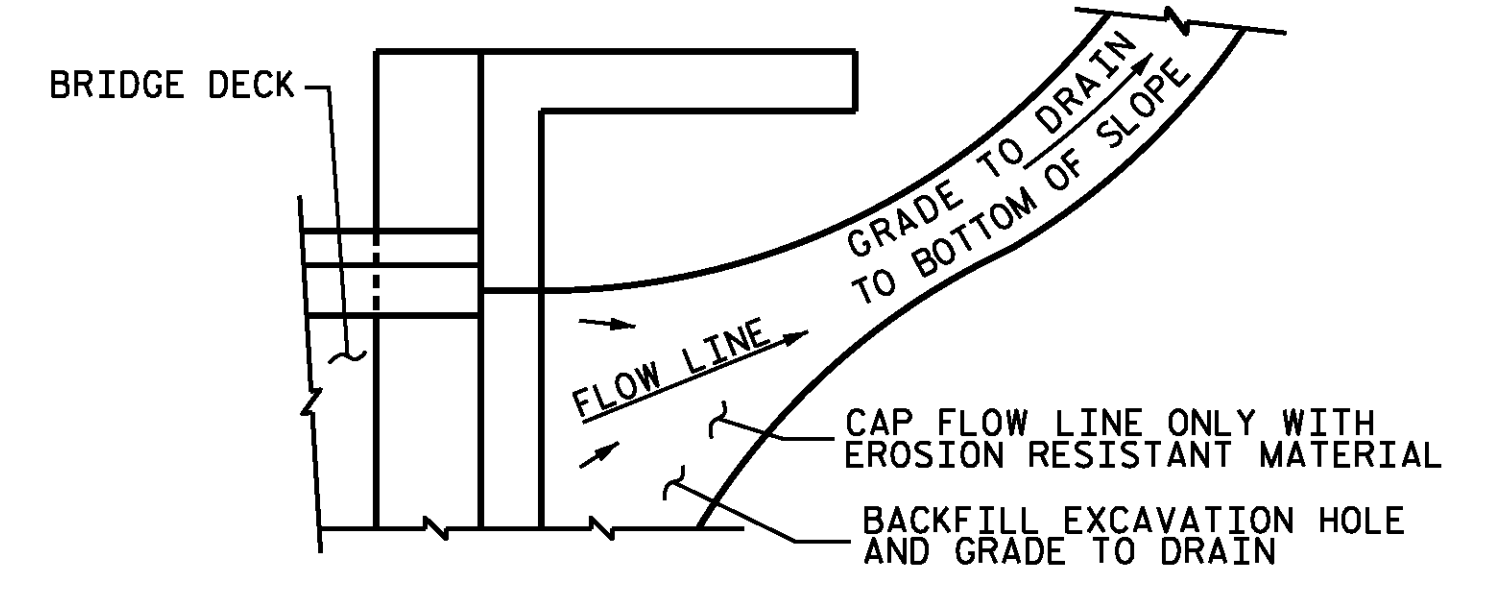
NOTE: IMMEDIATELY AFTER THE CONSTRUCTION OF THE APPROACH SLAB, THE CONTRACTOR SHALL PROVIDE TEMPORARY BERM AND SLOPE DRAIN. CONTRACTOR SHALL GRADE TO PIPE INLET AND PROVIDE EROSION RESISTANT MATERIAL AS SHOWN. THE EROSION RESISTANT MATERIAL SHALL BE EITHER 1) ASPHALT PLANT MIX, TYPE 1 OR TYPE 2, MIN. 2" DEPTH, 2) EROSION CONTROL MAT, OR 3) CONCRETE, AS DIRECTED BY THE ENGINEER. THE SLOPE DRAIN SHALL CONSIST OF A NON-PERFORATED TEMPORARY DRAINAGE PIPE, 12 INCHES IN DIAMETER.



SECTION S-S

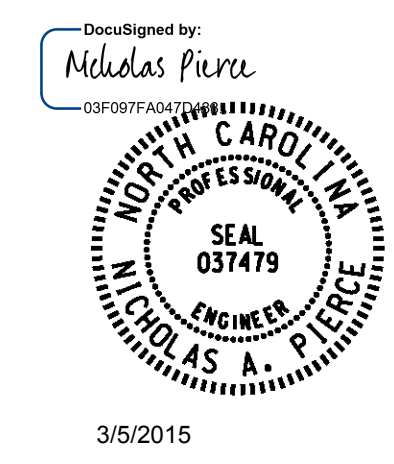
TEMPORARY BERM AND SLOPE DRAIN DETAILS

(TO BE USED WHEN SHOULDER BERM GUTTER IS REQUIRED)



NOTE: IF THE APPROACH SLAB IS NOT CONSTRUCTED IMMEDIATELY AFTER THE BACKFILLING OF THE END BENT EXCAVATION, GRADE TO DRAIN TO THE BOTTOM OF THE SLOPE AND PROVIDE EROSION RESISTANT MATERIAL, SUCH AS FIBERGLASS ROVING OR AS DIRECTED BY THE ENGINEER TO PREVENT SOIL EROSION AND TO PROTECT THE AREA ADJACENT TO THE STRUCTURE. THE CONTRACTOR WILL BE REQUIRED TO REMOVE THESE MATERIALS PRIOR TO CONSTRUCTION OF THE APPROACH SLAB.

TEMPORARY DRAINAGE DETAIL



3/5/2015

PROJECT NO. B-5114
RANDOLPH COUNTY
STATION: 19+99.61-L-

SHEET 2 OF 2

STATE OF NORTH CAROLINA
DEPARTMENT OF TRANSPORTATION
RALEIGH
STANDARD
BRIDGE APPROACH
SLAB DETAILS

DESIGN ENGINEER OF RECORD N. PIERCE	DATE 11/2014
ASSEMBLED BY : M. HOBBS	DATE : 11/14
CHECKED BY : N. PIERCE	DATE : 11/14
DRAWN BY : FCJ 11/88	REV. 10/1/11 MAA/GM
CHECKED BY : ARB 11/88	REV. 7/12 MAA/GM
	REV. 6/13 MAA/GM

WSP
Transportation & Infrastructure
15401 Weston Parkway Suite 100
Cary, NC 27513 - 919.678.0035
www.wspgroup.com
LICENSE NO. F-0891

REVISIONS						SHEET NO. S01-36
NO.	BYs	DATEs	NO.	BYs	DATEs	
1			3			TOTAL SHEETS 36
2			4			