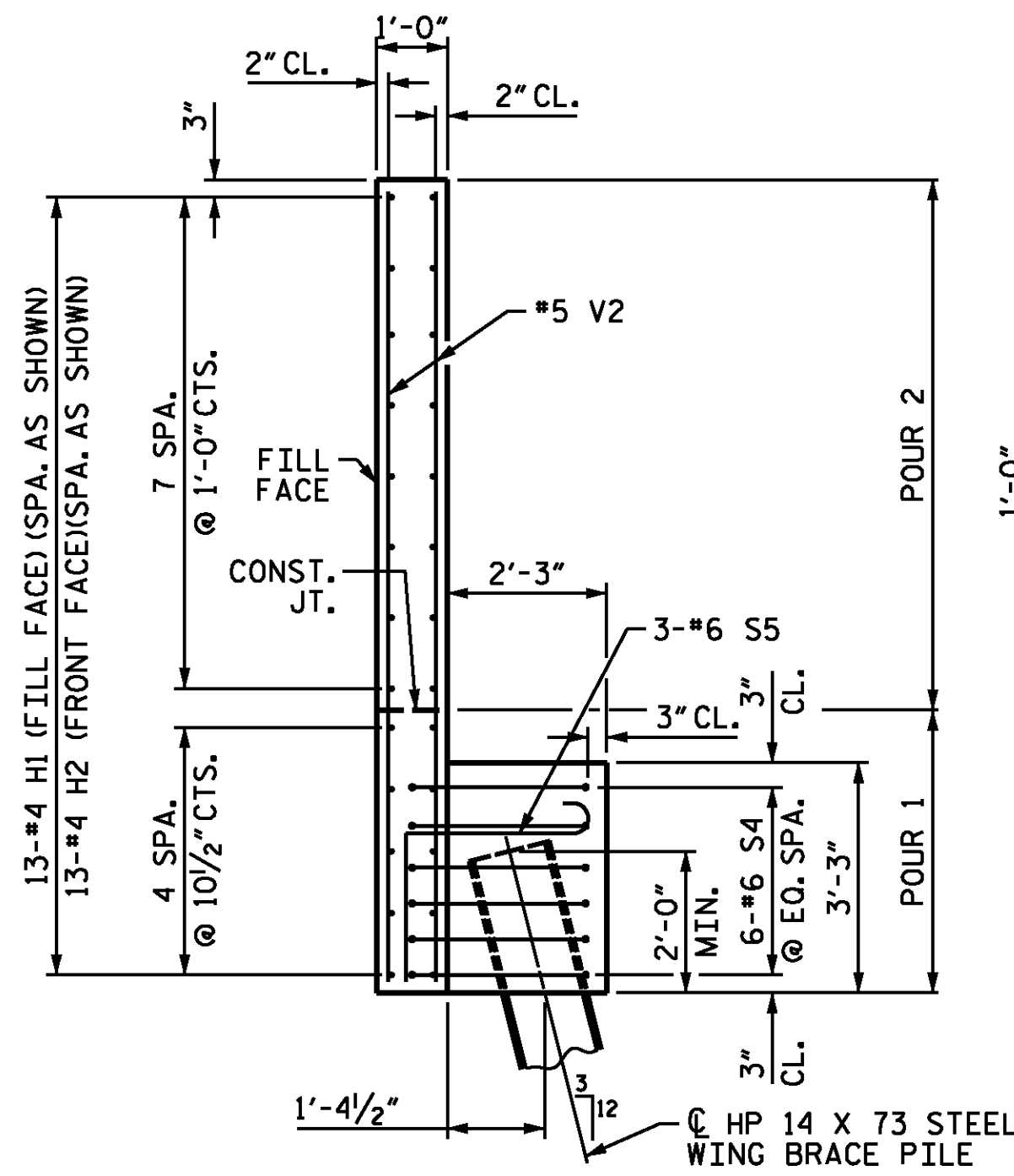
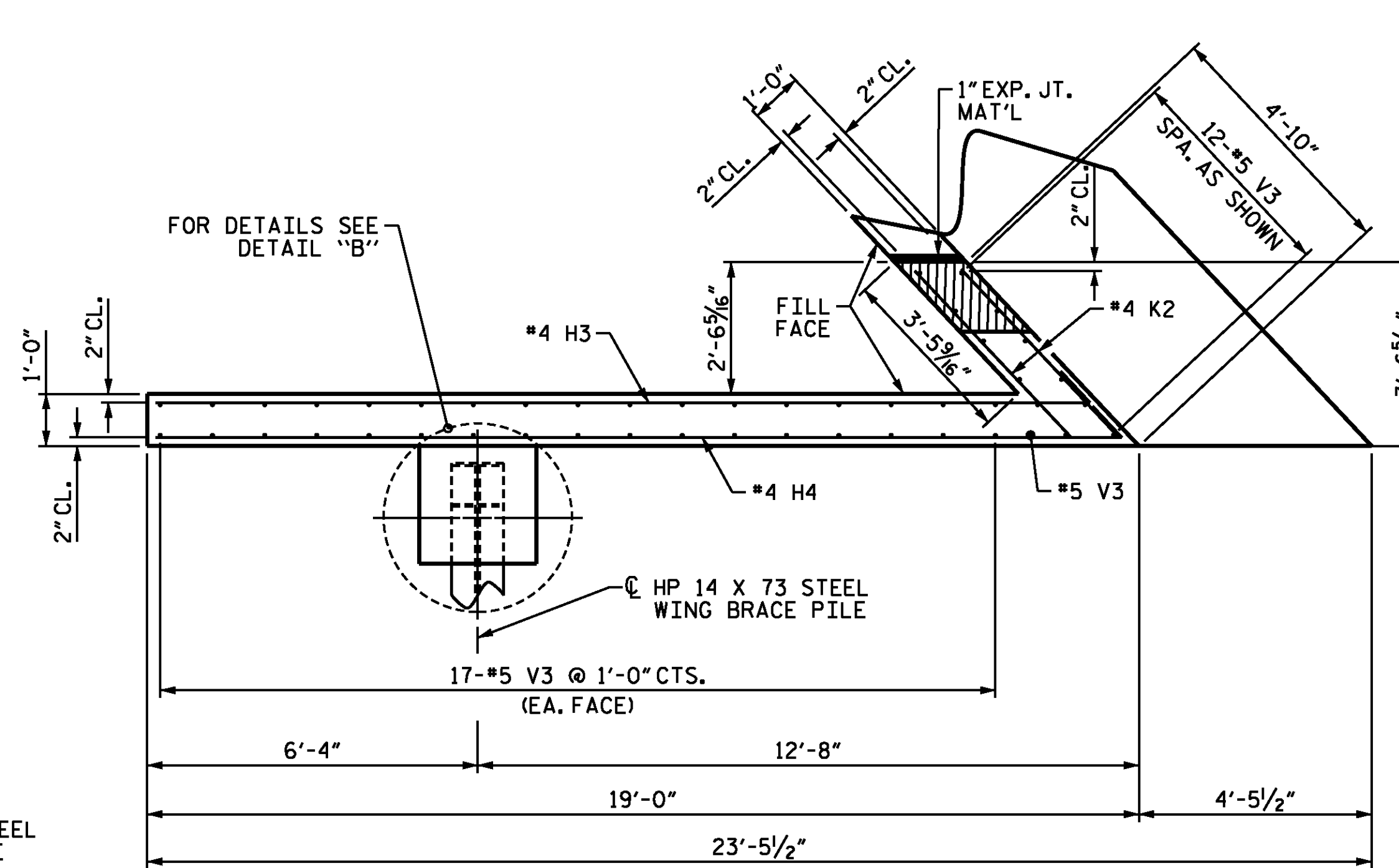


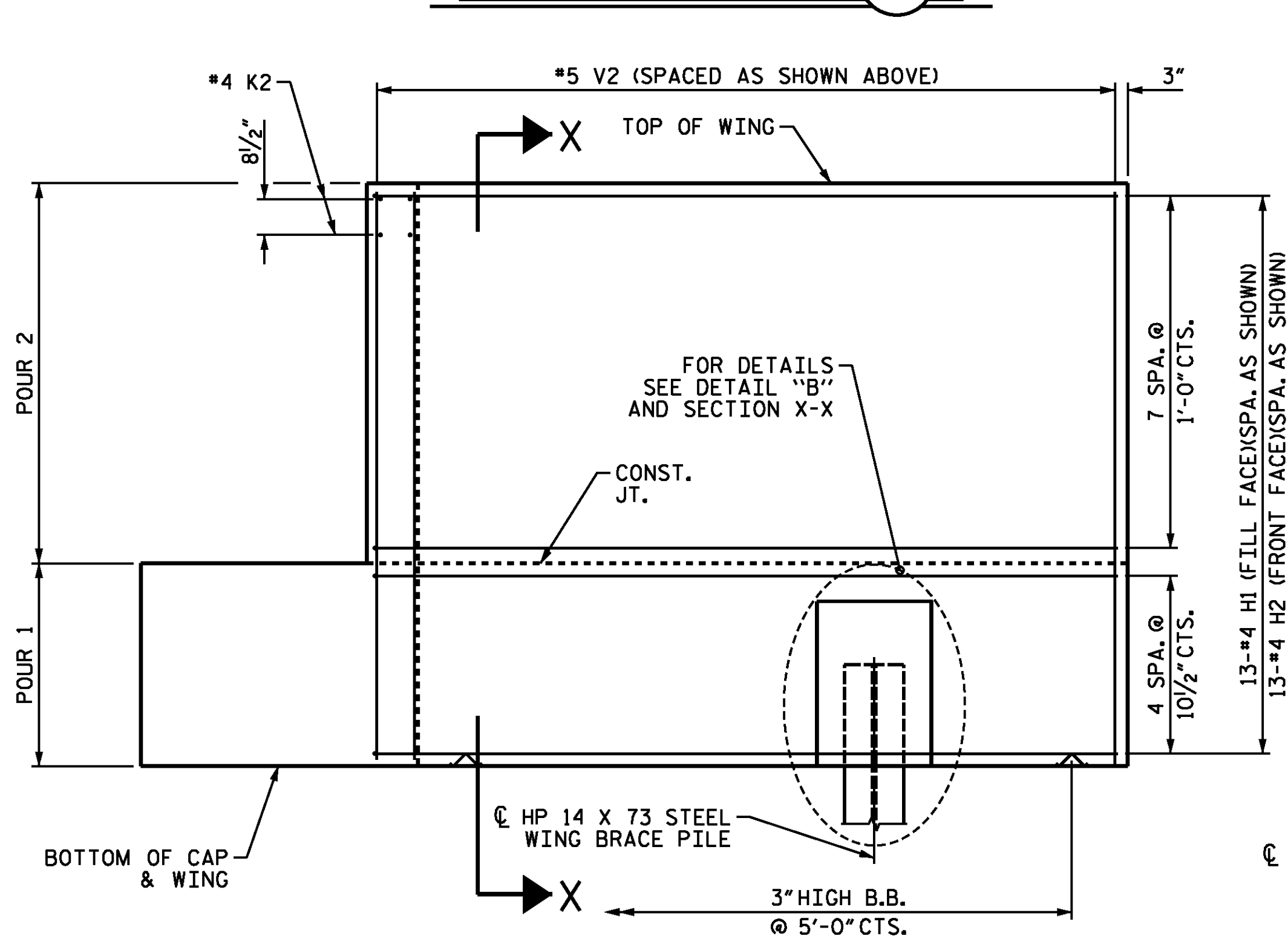
PLAN OF WING (W1)



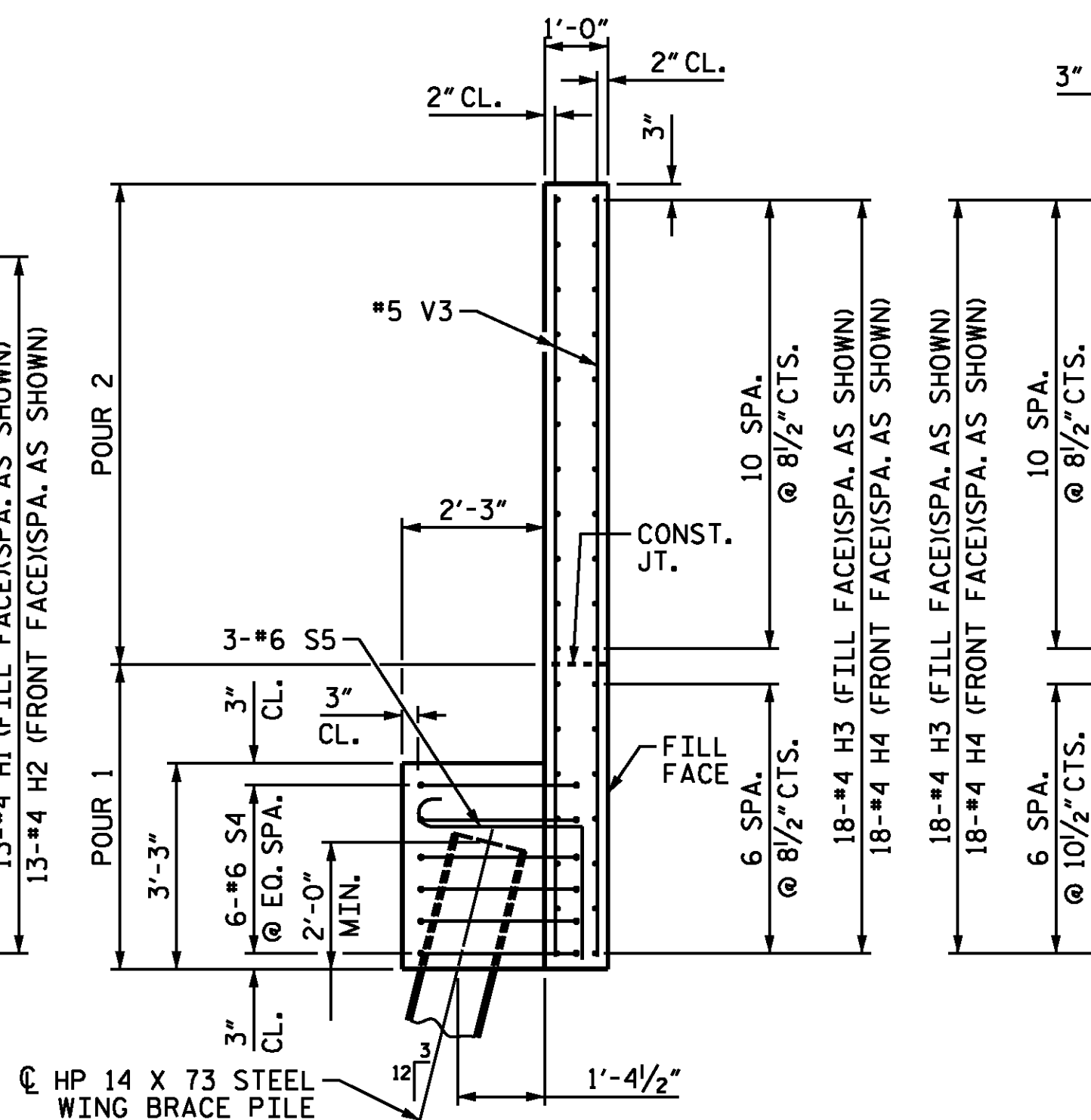
SECTION X-X



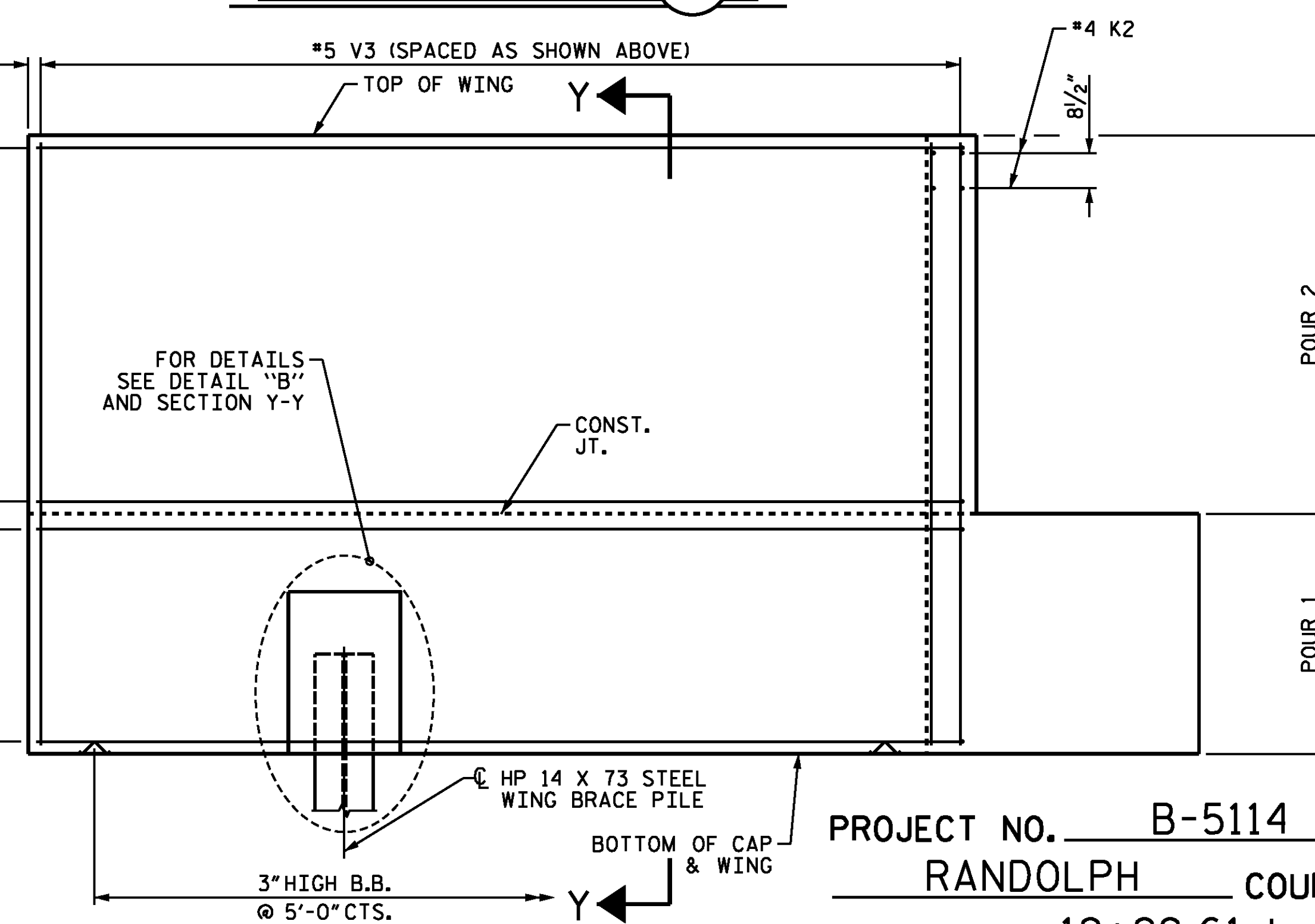
PLAN OF WING (W2)



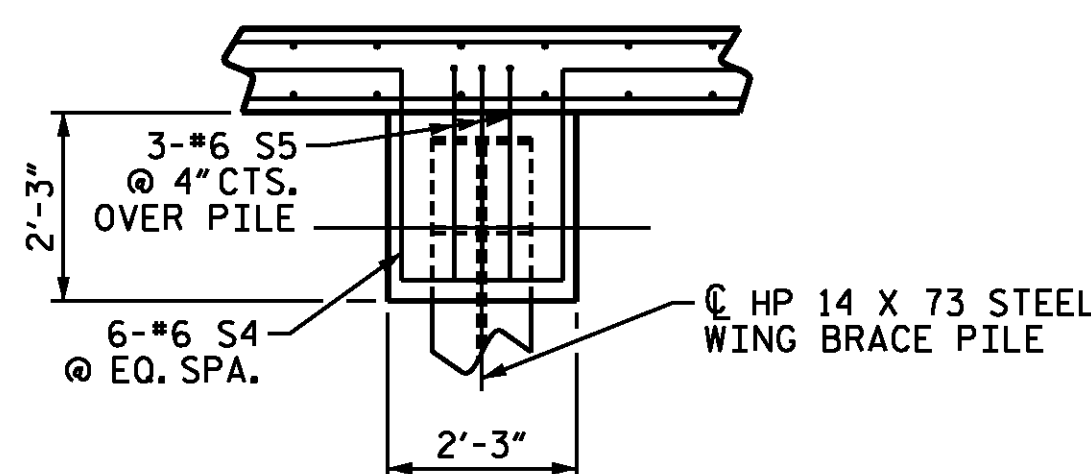
ELEVATION OF WING (W1)



SECTION Y-Y



ELEVATION OF WING (W2)

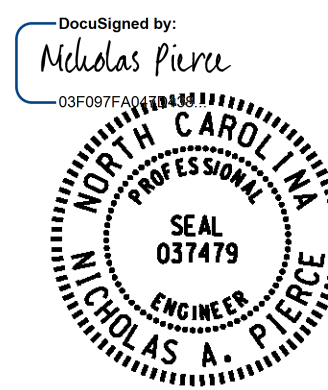


DETAIL "B"

PROJECT NO. B-5114
 RANDOLPH COUNTY
 STATION: 19+99.61-L-

SHEET 2 OF 3

STATE OF NORTH CAROLINA
 DEPARTMENT OF TRANSPORTATION
 RALEIGH
 SUBSTRUCTURE
 END BENT 1



3/5/2015

WSP
 Transportation & Infrastructure
 15401 Weston Parkway Suite 100
 Cary, NC 27513 - 919.678.0035
 www.wspgroup.com
 LICENSE NO. F-0891

REVISIONS						SHEET NO. S01-27
NO.	BYs	DATEs	NO.	BYs	DATEs	
1			3			TOTAL SHEETS 36
2			4			

DESIGN ENGINEER OF RECORD N.A. PIERCE	DATE 11/14
DRAWN BY : N.A. PIERCE	DATE : 11/14
CHECKED BY : M.J. OSTRISHKO	DATE : 11/14