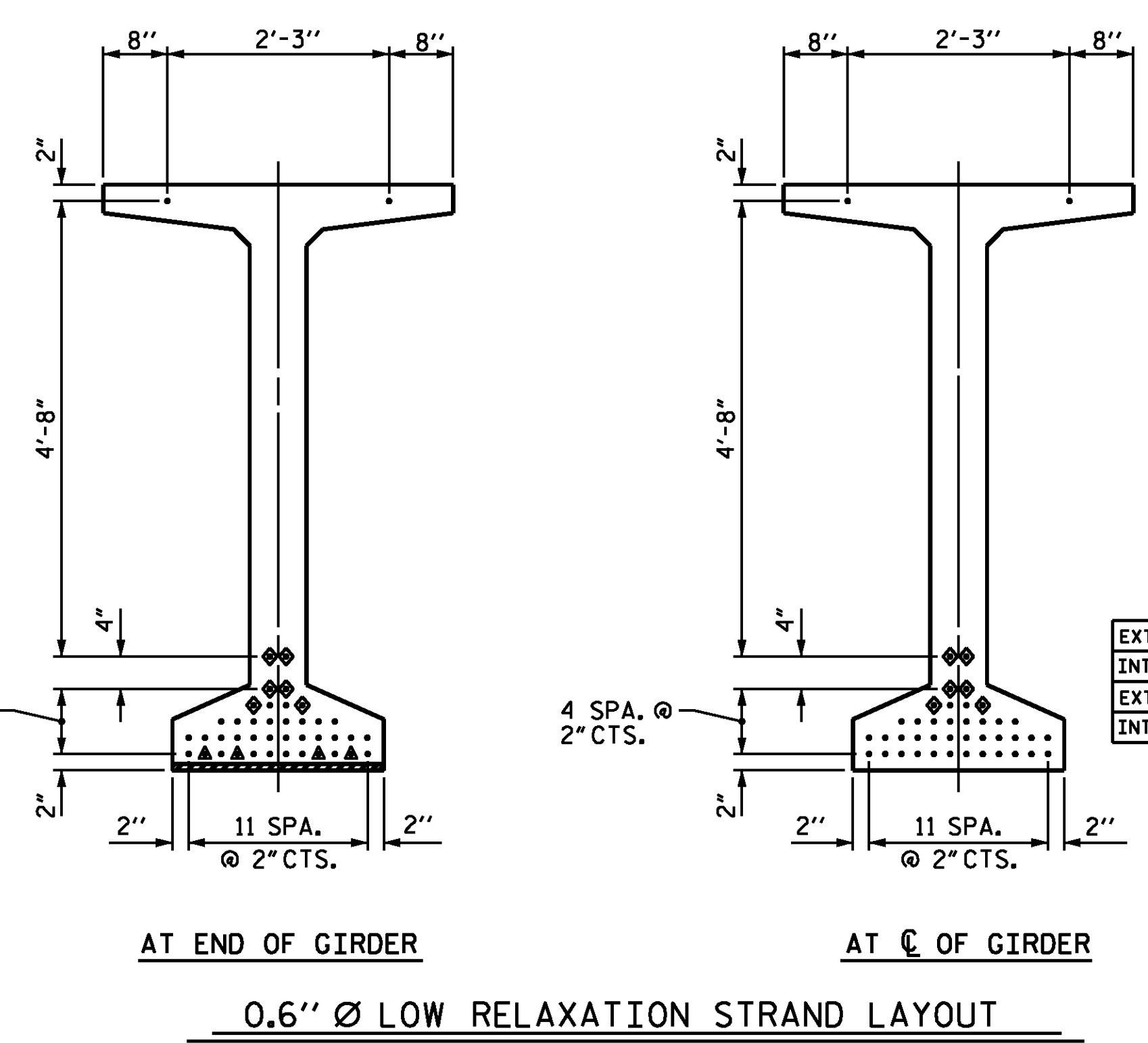


**DEBONDING LEGEND**

- FULLY BONDED STRANDS
- ▲ STRANDS DEBONDED FOR 14'-0" FROM END OF GIRDER
- ◆ OPTIONAL FULLY DEBONDED STRANDS

\* FOR S7 BARS, SEE DETAIL "C" OF PRESTRESSED CONCRETE GIRDER CONTINUOUS FOR LIVE LOAD DETAILS SHEET 4 OF 4



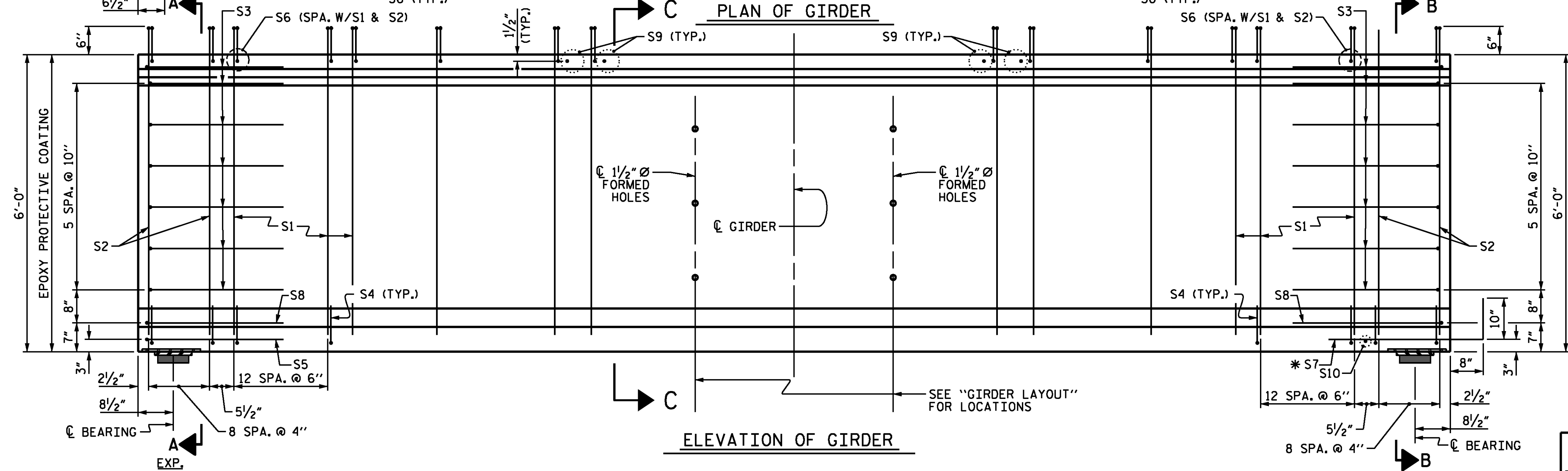
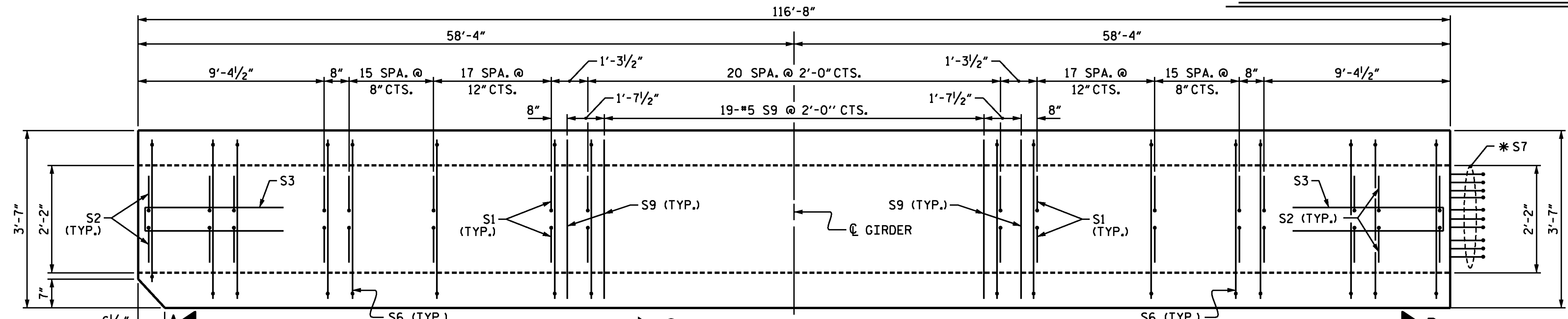
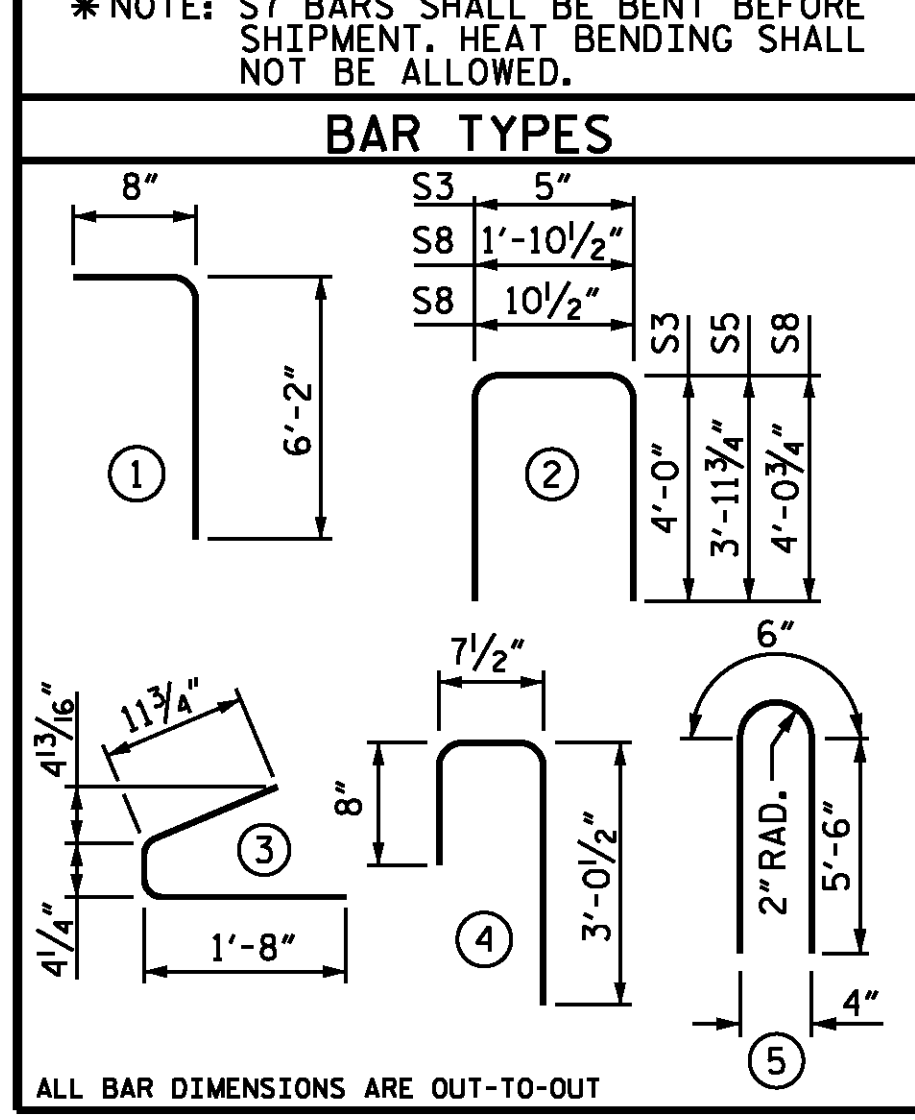
**0.6" Ø L. R. GRADE 270 STRANDS**

AREA (SQUARE INCHES)	ULTIMATE STRENGTH (LBS. PER STRAND)	APPLIED PRESTRESS (LBS. PER STRAND)
0.217	58,600	43,950

**REINFORCING STEEL FOR ONE GDR**

BAR	NUMBER	SIZE	TYPE	LENGTH	WEIGHT	
S1	226	#4	1	6'-10"	1,032	
S2	36	#5	1	6'-10"	257	
S3	14	#4	2	8'-5"	79	
S4	88	#4	3	3'-0"	176	
S5	1	#5	2	9'-10"	10	
S6	262	#5	4	4'-4"	1,184	
*S7	10	#5	STR	3'-8"	38	
S8	2	#5	2	9'-0"	19	
S9	21	#5	STR	3'-3"	71	
S10	1	#3	STR	1'-10"	1	
EXTERIOR GDR.	S11	4	#5	5	11'-6"	48
INTERIOR GDR.	S11	8	#5	5	11'-6"	96
EXTERIOR GDR.	S12	8	#4	STR	8'-0"	43
INTERIOR GDR.	S13	8	#5	STR	47'-0"	392

\* NOTE: S7 BARS SHALL BE BENT BEFORE SHIPMENT. HEAT BENDING SHALL NOT BE ALLOWED.



NOTE: FOR SECTION "C-C", SEE SHEET 4 OF 4.

**QUANTITIES FOR ONE GIRDER**

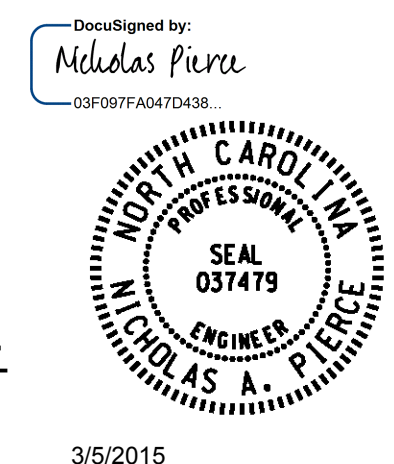
	REINFORCING STEEL	8500 PSI CONCRETE	0.6" Ø L.R. STRANDS
	LB.	C.Y.	No.
GIRDERS 1 & 6	2,958	25.0	36
GIRDERS 2 - 5	3,355	25.0	36

**GIRDERS REQUIRED**

NUMBER	LENGTH	TOTAL LENGTH
6	116'-8"	700'-0"

PROJECT NO. B-5114  
 RANDOLPH COUNTY  
 STATION: 19+99.61 -L-

SHEET 1 OF 4  
 DEPARTMENT OF TRANSPORTATION  
 RALEIGH  
 STANDARD  
 72" PRESTRESSED CONCRETE  
 MODIFIED BULB TEE  
 CONTINUOUS FOR LIVE LOAD  
 SPAN A



**WSP**  
 Transportation & Infrastructure  
 15401 Weston Parkway Suite 100  
 Cary, NC 27513 - 919.678.0035  
 www.wspgroup.com  
 LICENSE NO. F-0881

ASSEMBLED BY : M.J. OSTRISHKO	DATE : 06/2014
CHECKED BY : N.A. PIERCE	DATE : 11/2014
DRAWN BY : EEM 2/6/97	REV. 5/1/06R TLA/GM
CHECKED BY : VAP 2/6/97	REV. 10/1/11 MAA/GM
	REV. 6/13 MAA/GM
DESIGN ENGINEER OF RECORD	DATE
N.A. PIERCE	11/2014

REVISIONS

NO.	BY:	DATE:	NO.	BY:	DATE:
1			3		
2			4		

SHEET NO. **S01-10**  
 TOTAL SHEETS **36**