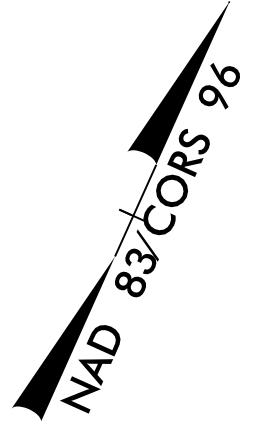


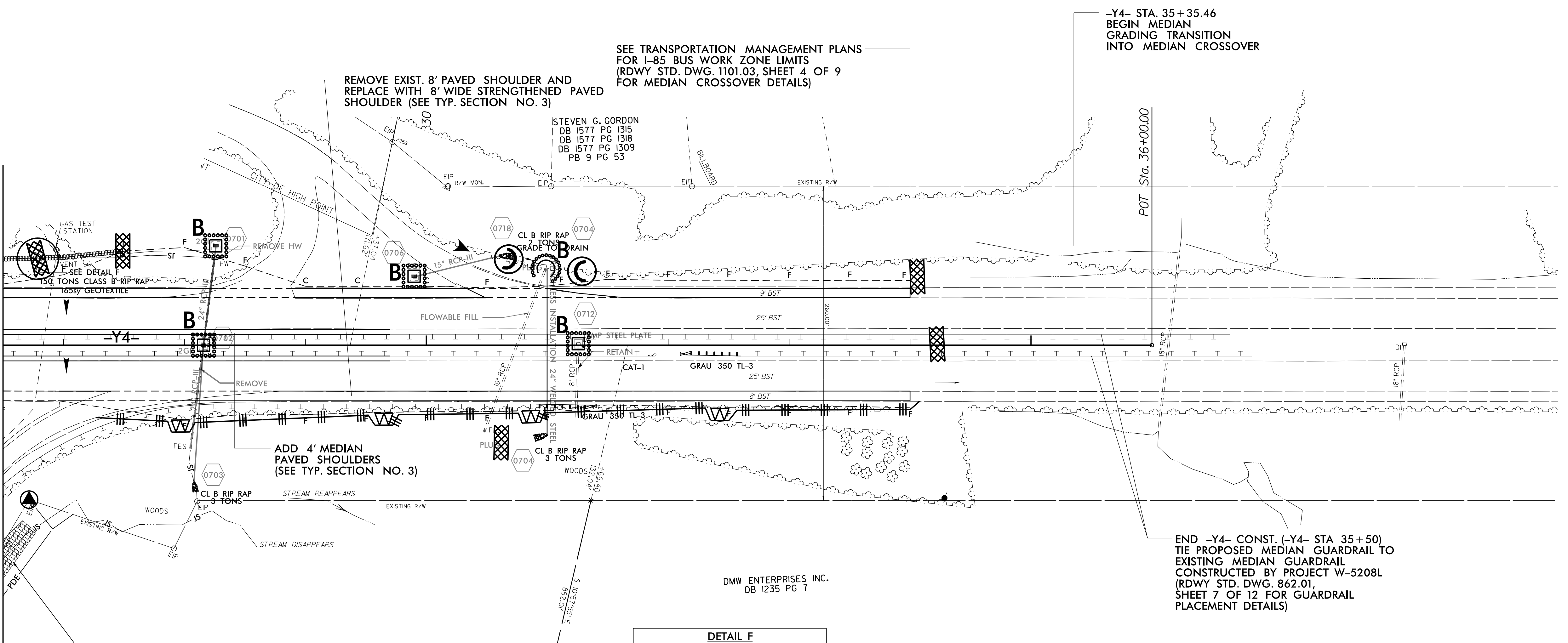
PROJECT REFERENCE NO.	SHEET NO.
B-5114	EC-II/CONST.7
RW SHEET NO.	
ROADWAY DESIGN ENGINEER	HYDRAULICS ENGINEER

8/17/99



35

MATCH LINE -Y4- STA. 26 + 50.00 SEE SHEET 4



SEE TRANSPORTATION MANAGEMENT PLANS FOR I-85 BUS WORK ZONE LIMITS (RDWY STD. DWG. 1101.03, SHEET 4 OF 9 FOR MEDIAN CROSSOVER DETAILS)

STEVEN G. GORDON
DB 1577 PG 1315
DB 1577 PG 1318
DB 1577 PG 1309
PB 9 PG 53

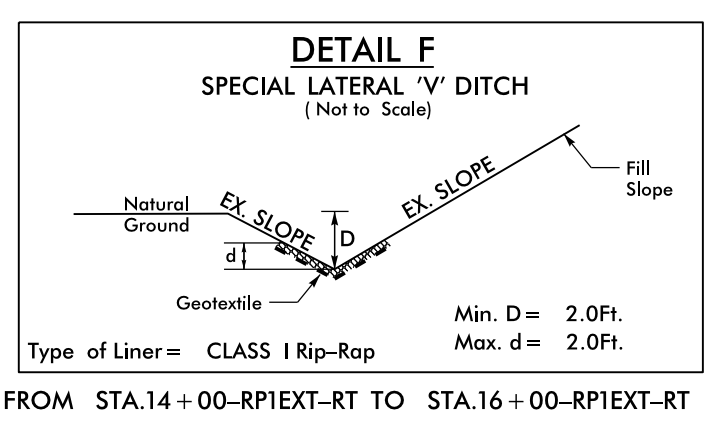
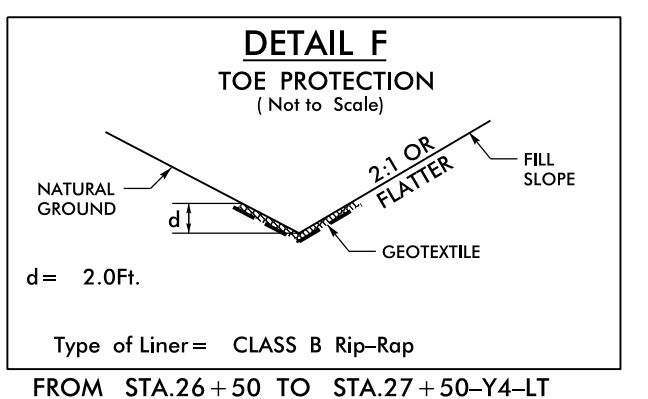
ADD 4' MEDIAN PAVED SHOULDERS (SEE TYP. SECTION NO. 3)

END -Y4- CONST. (-Y4- STA 35+50) TIE PROPOSED MEDIAN GUARDRAIL TO EXISTING MEDIAN GUARDRAIL CONSTRUCTED BY PROJECT W-5208L (RDWY STD. DWG. 862.01, SHEET 7 OF 12 FOR GUARDRAIL PLACEMENT DETAILS)

DMW ENTERPRISES INC.
DB 1235 PG 7

10

RONALD W. MCKAGUE AND WIFE
JUDITH R. MCKAGUE
DB 2040 PG 2255



23-FEB-2015 14:47
D:\as197\B-5114-EC.psh7.dgn
REVISIONS