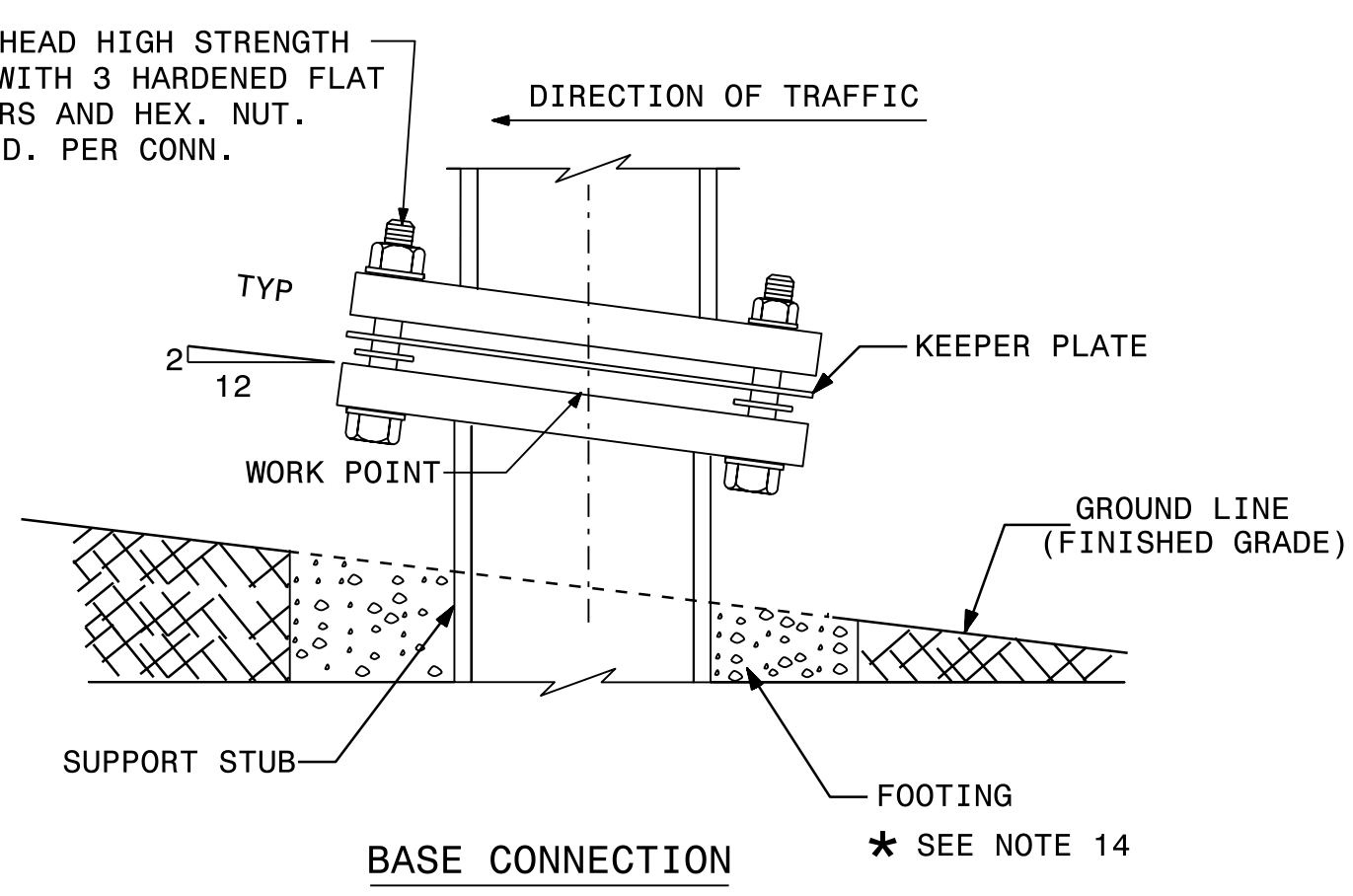
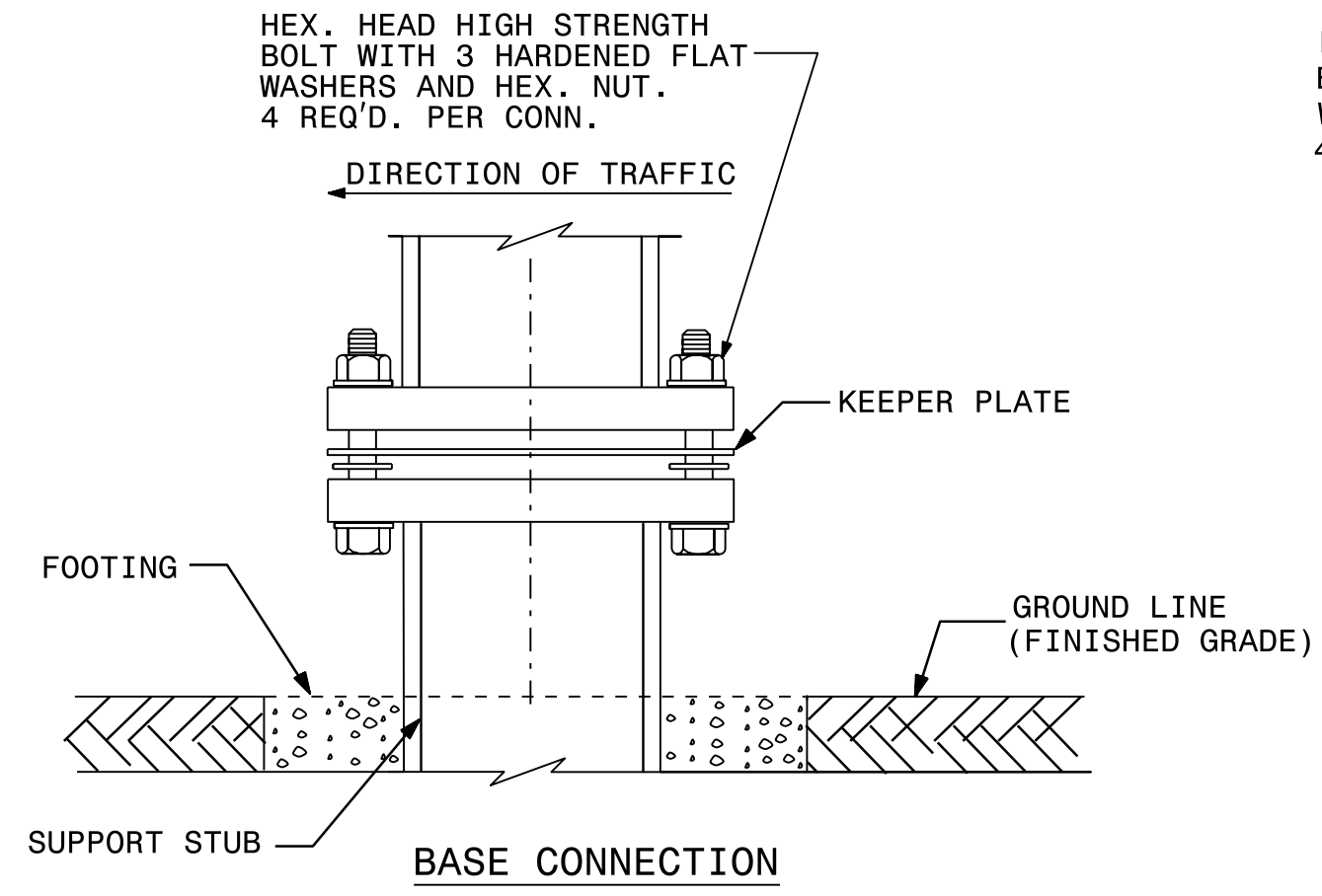
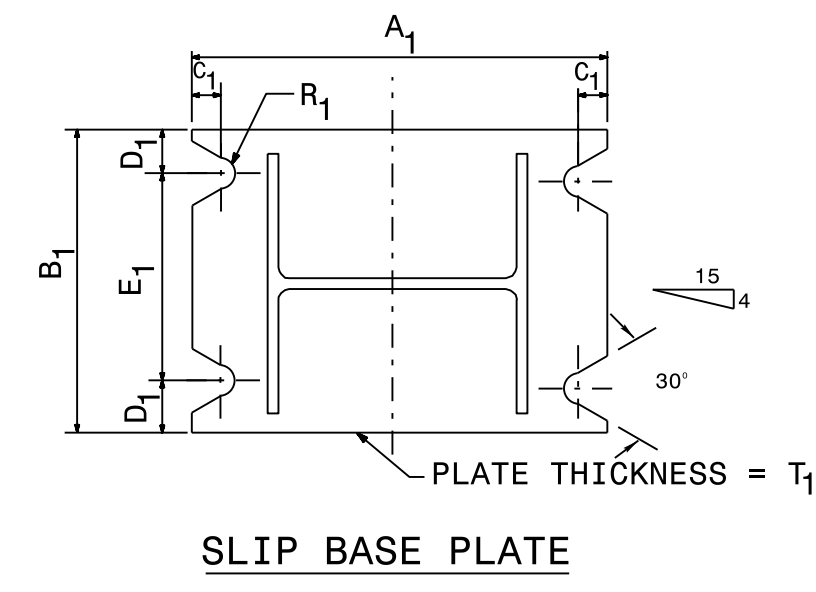
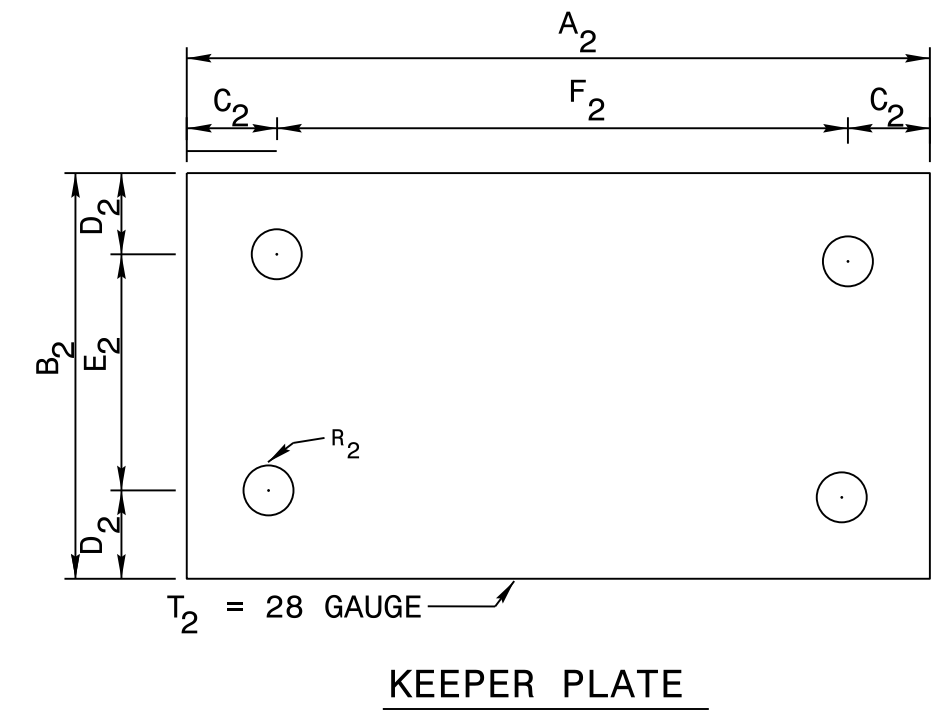
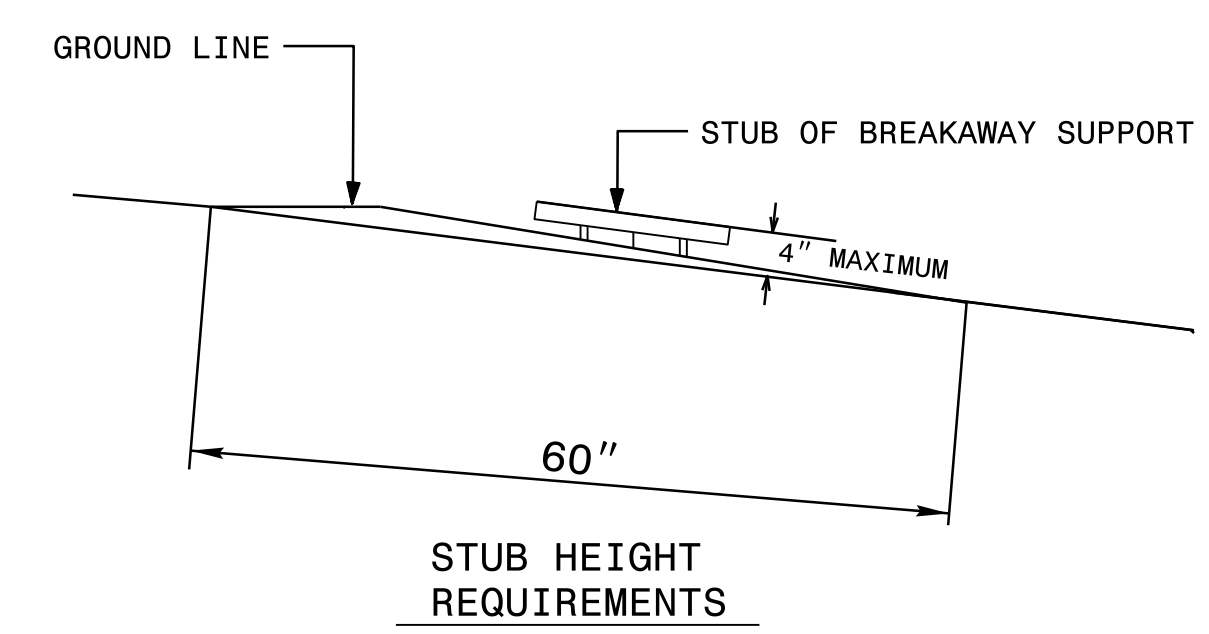
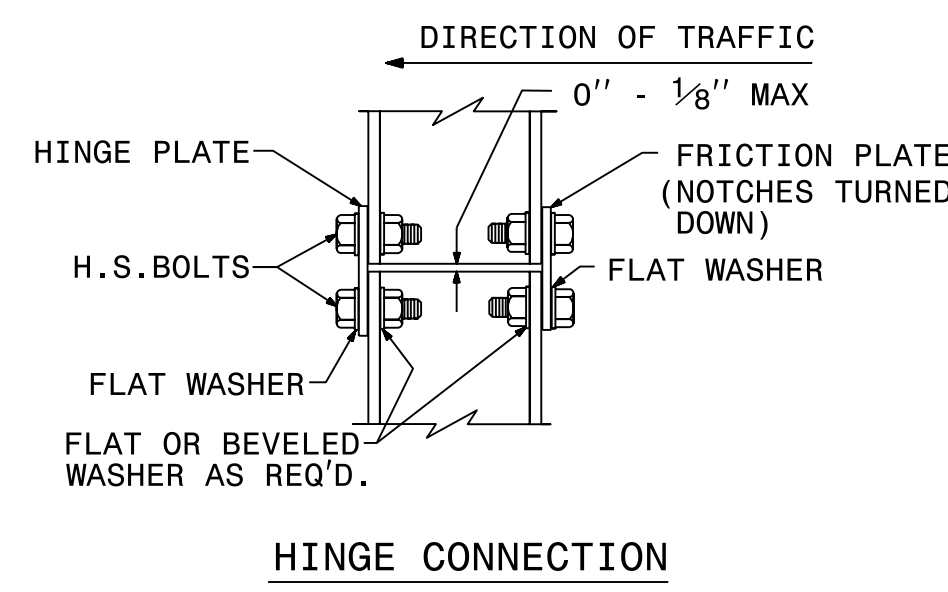
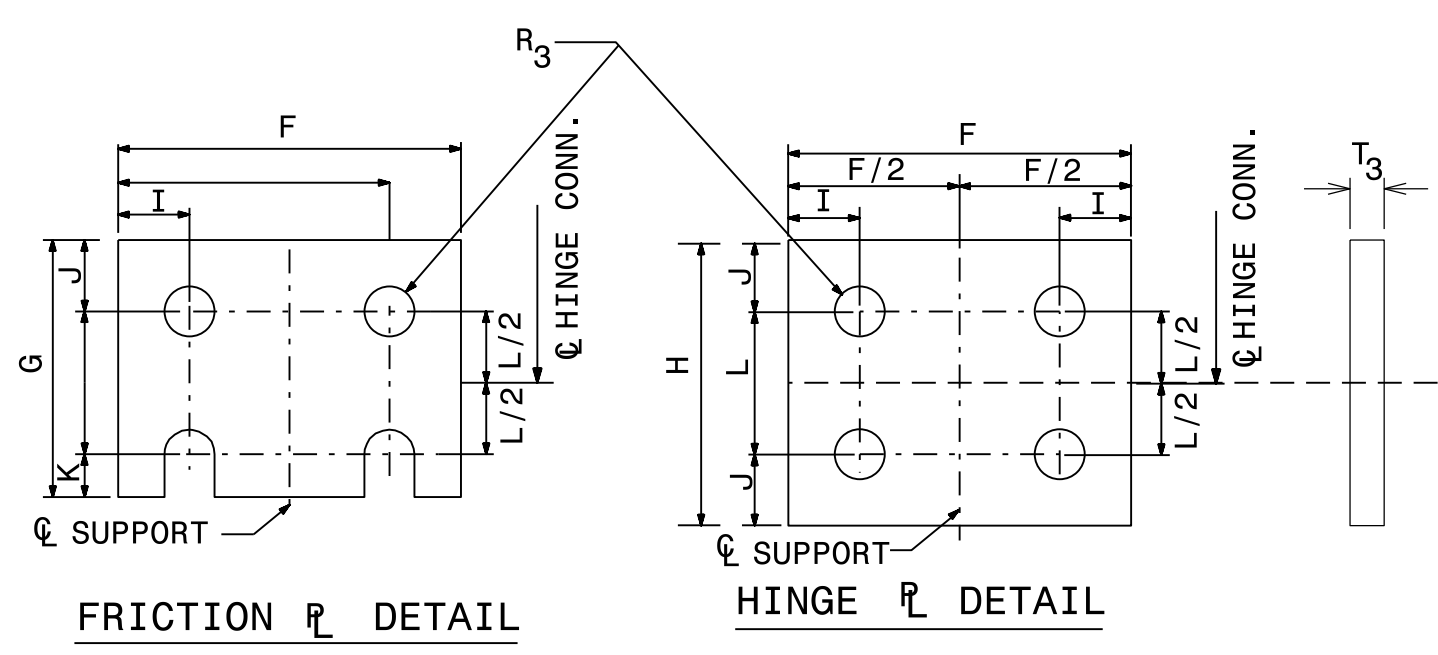
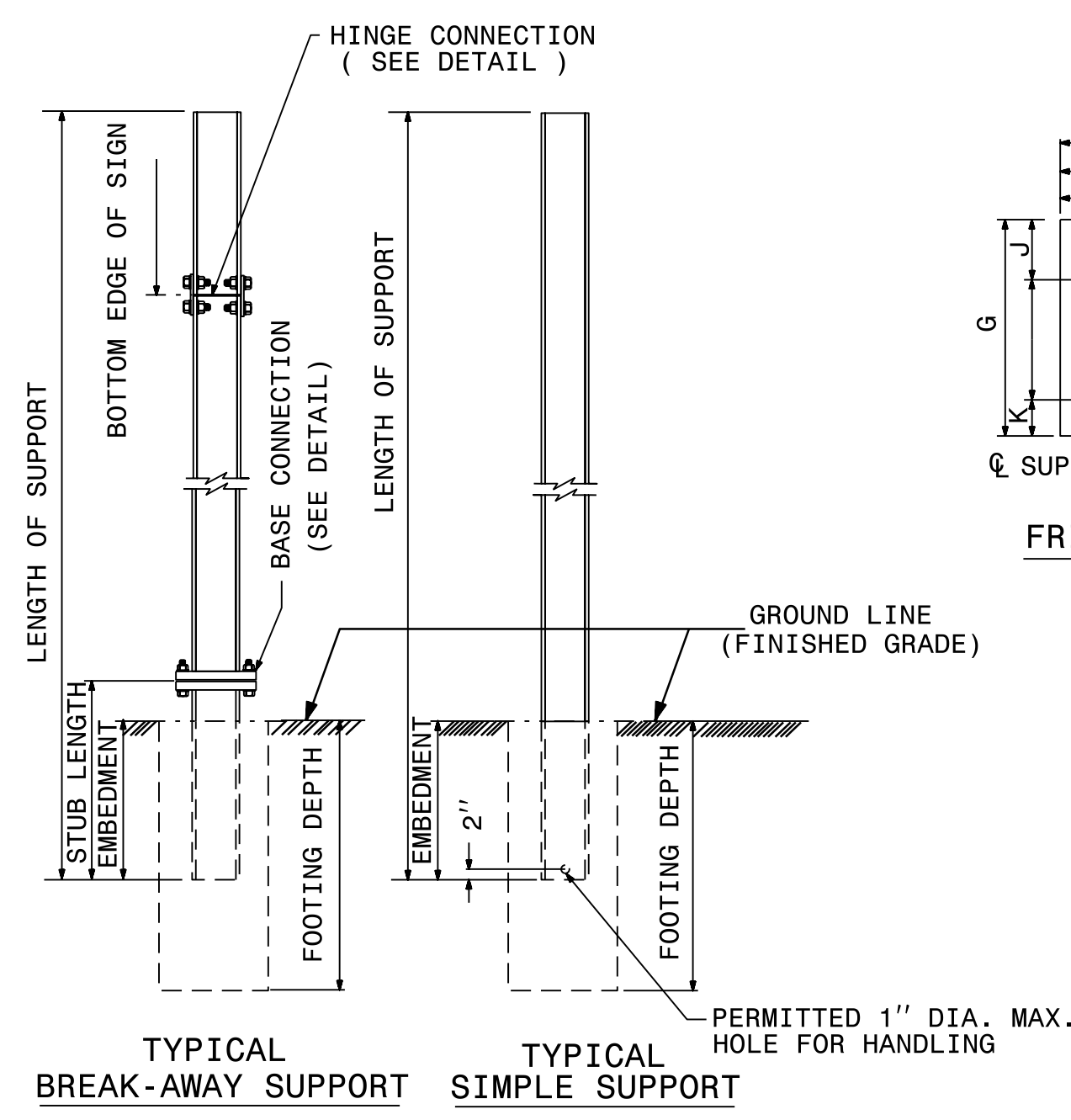


STATE OF  
NORTH CAROLINA  
DEPT. OF TRANSPORTATION  
DIVISION OF HIGHWAYS  
RALEIGH, N.C.

1-12

ENGLISH STANDARD DRAWING FOR  
**GROUND MOUNTED SIGN SUPPORTS**

SHEET 1 OF 3  
**903D10**



SEE SHEET 2 OF 3 FOR  
BASE CONNECTION DATA  
HINGE CONNECTION DATA  
& FOUNDATION DATA.  
SEE SHEET 3 OF 3 FOR  
GENERAL NOTES.

STATE OF  
NORTH CAROLINA  
DEPT. OF TRANSPORTATION  
DIVISION OF HIGHWAYS  
RALEIGH, N.C.

1-12

ENGLISH STANDARD DRAWING FOR  
**GROUND MOUNTED SIGN SUPPORTS**

SHEET 1 OF 3  
**903D10**

P:\MIS-2015\1153\Projects\903D10\903D10.dgn 3/2/2015 11:53 AM