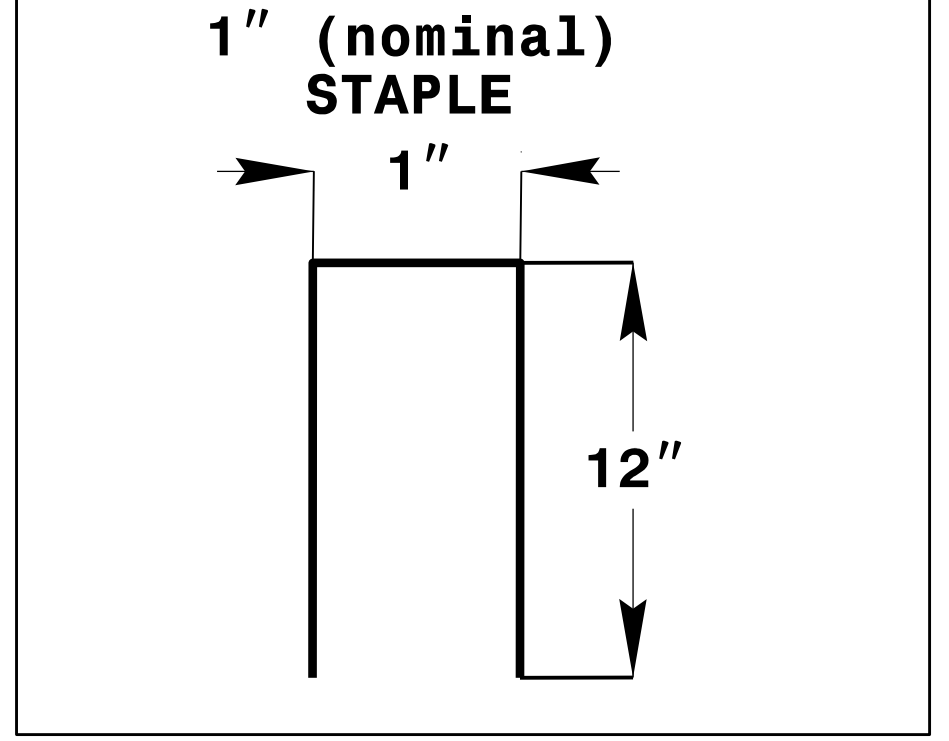
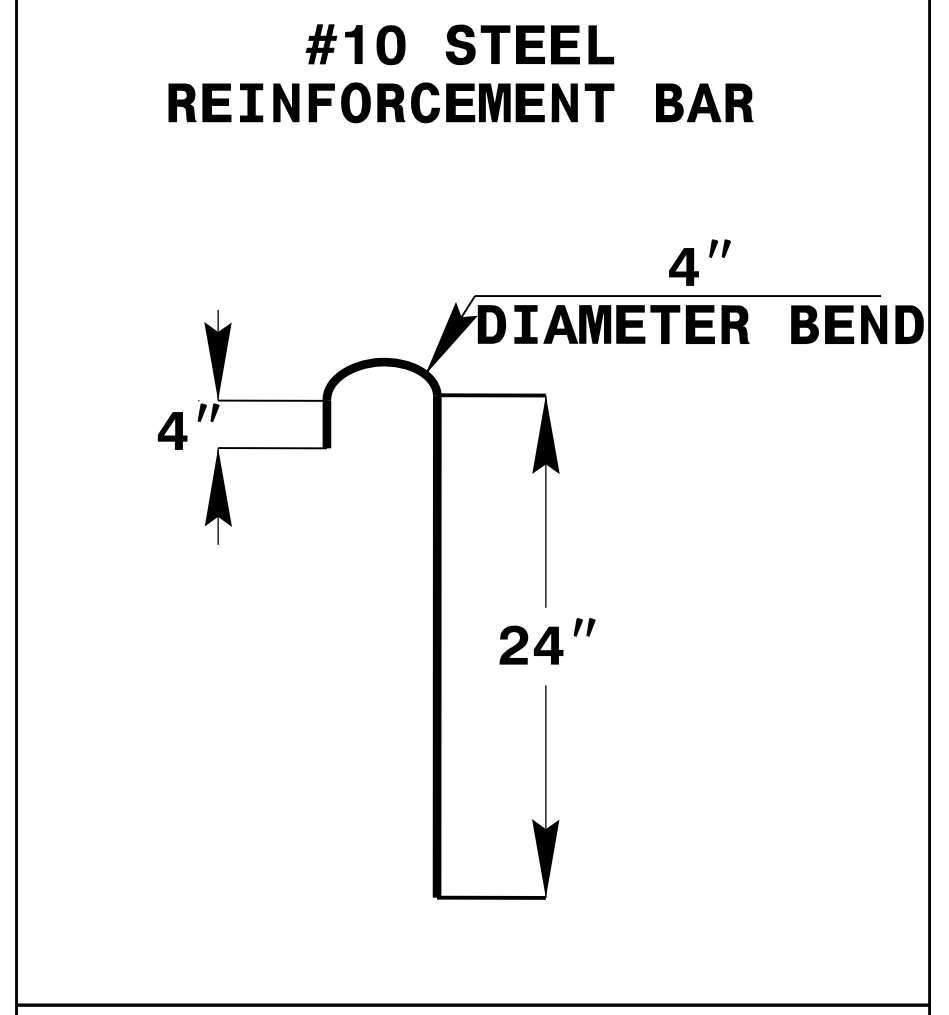
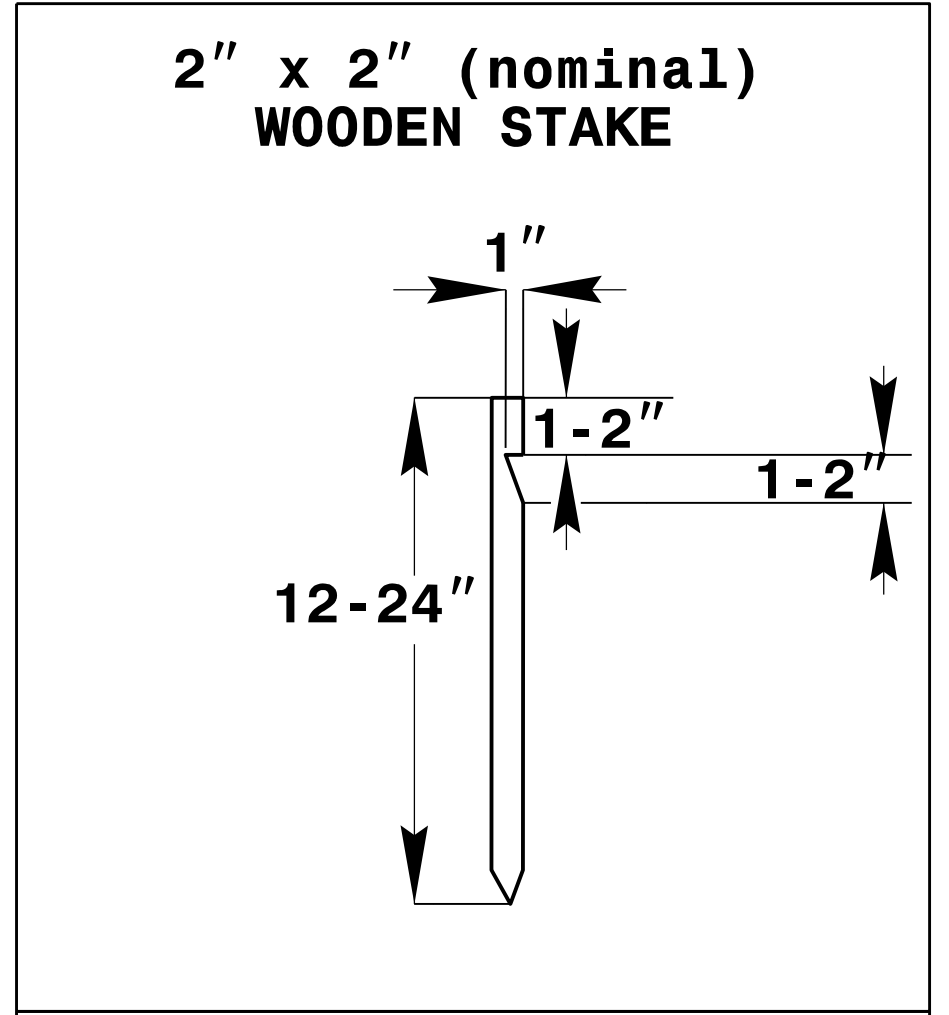
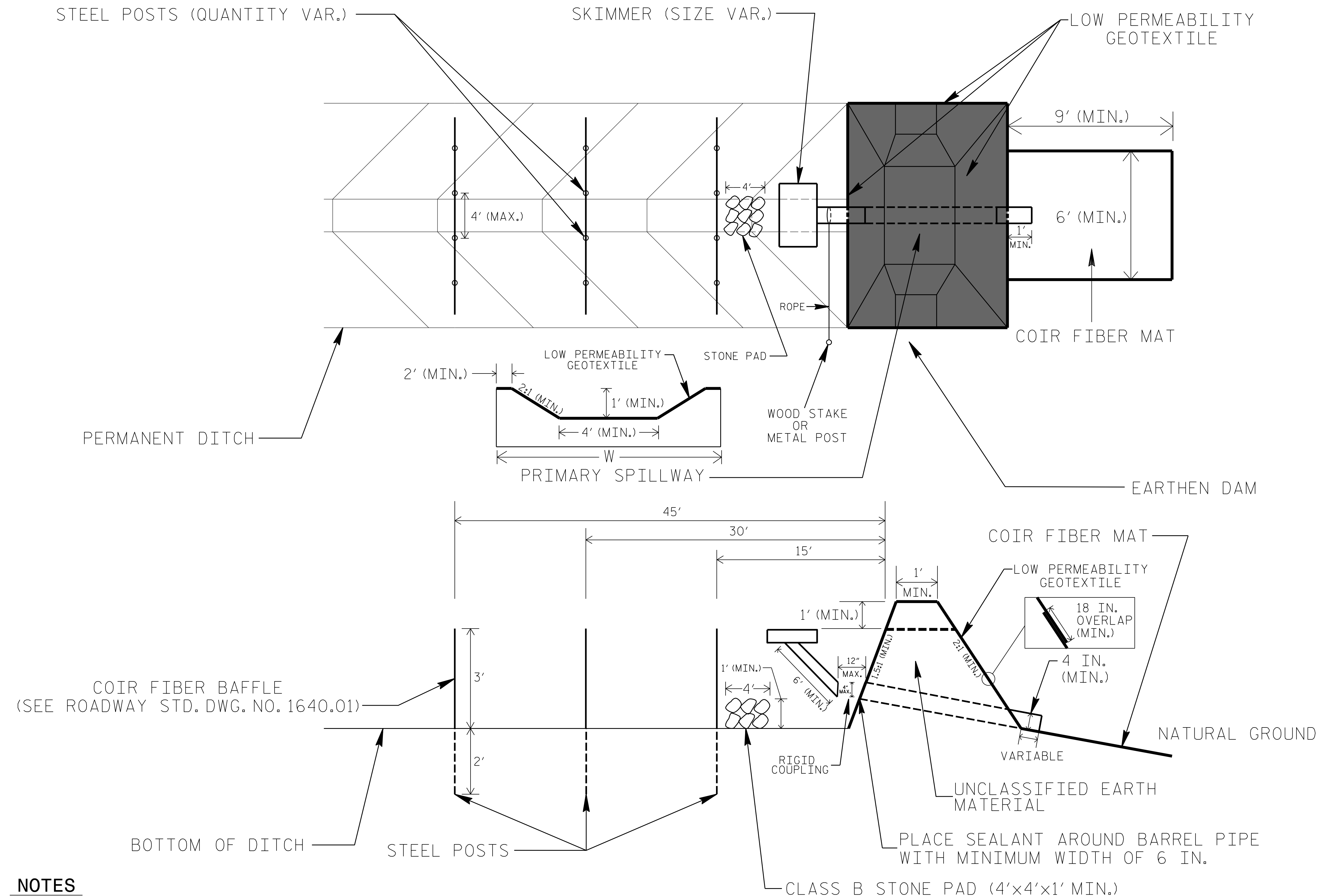


PROJECT REFERENCE NO.	SHEET NO.
R-2514C	EC-2A
RW SHEET NO.	
ROADWAY DESIGN ENGINEER	HYDRAULICS ENGINEER

# EARTHEN DAM WITH SKIMMER DETAIL (EAST)



## COIR FIBER MAT ANCHOR OPTIONS

### NOTES

1. LIMIT EARTHEN DAM HEIGHT TO 5 FT.
2. DETERMINE PRIMARY SPILLWAY LENGTH (FT.) USING  $Q/0.4$ , WHERE Q IS FLOW RATE (CFS) INTO BASIN.
3. LOW PERMEABILITY GEOTEXTILE FOR PRIMARY SPILLWAY SHALL BE ONE CONTINUOUS PIECE OF MATERIAL OR OVERLAPPED 18 IN. (MIN.).

NOT TO SCALE

PLOT DRIVER: NCD00T\_pacf\_color\_eng\_50.plt  
 USER: cmysers  
 FILE: North\_Carolina\_Dept\_of\_Transportation\Erosion\_Cntrl\R2514C104\_c\13.00\_CAD\Erosion\_Contrrol\R2514C-Hyd.LEC-DETAILS.dgn  
 PENTABLE: NCD00T\_EC.BW.tbl  
 DATE: 1/30/2015  
 TIME: 2:06:49 PM