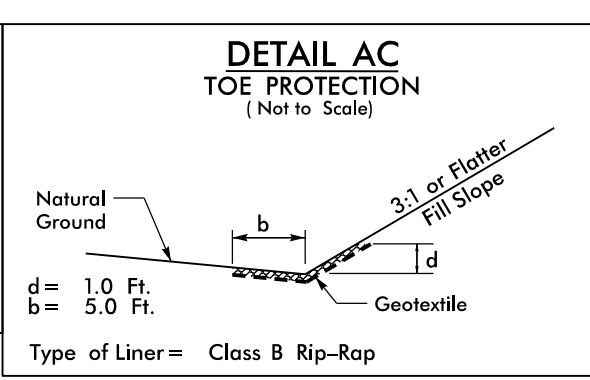
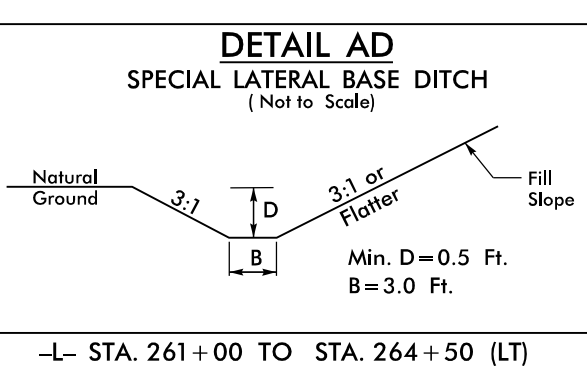
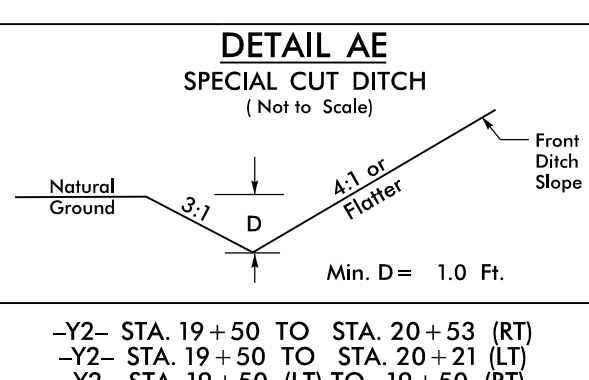
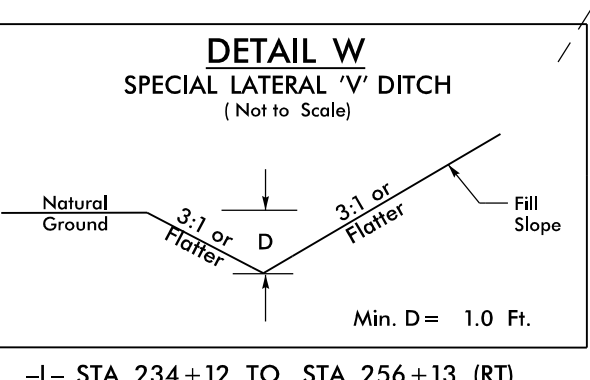
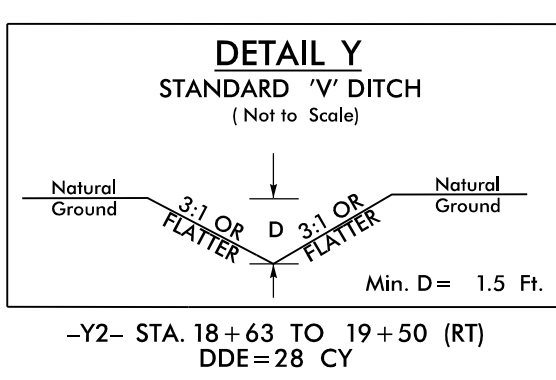
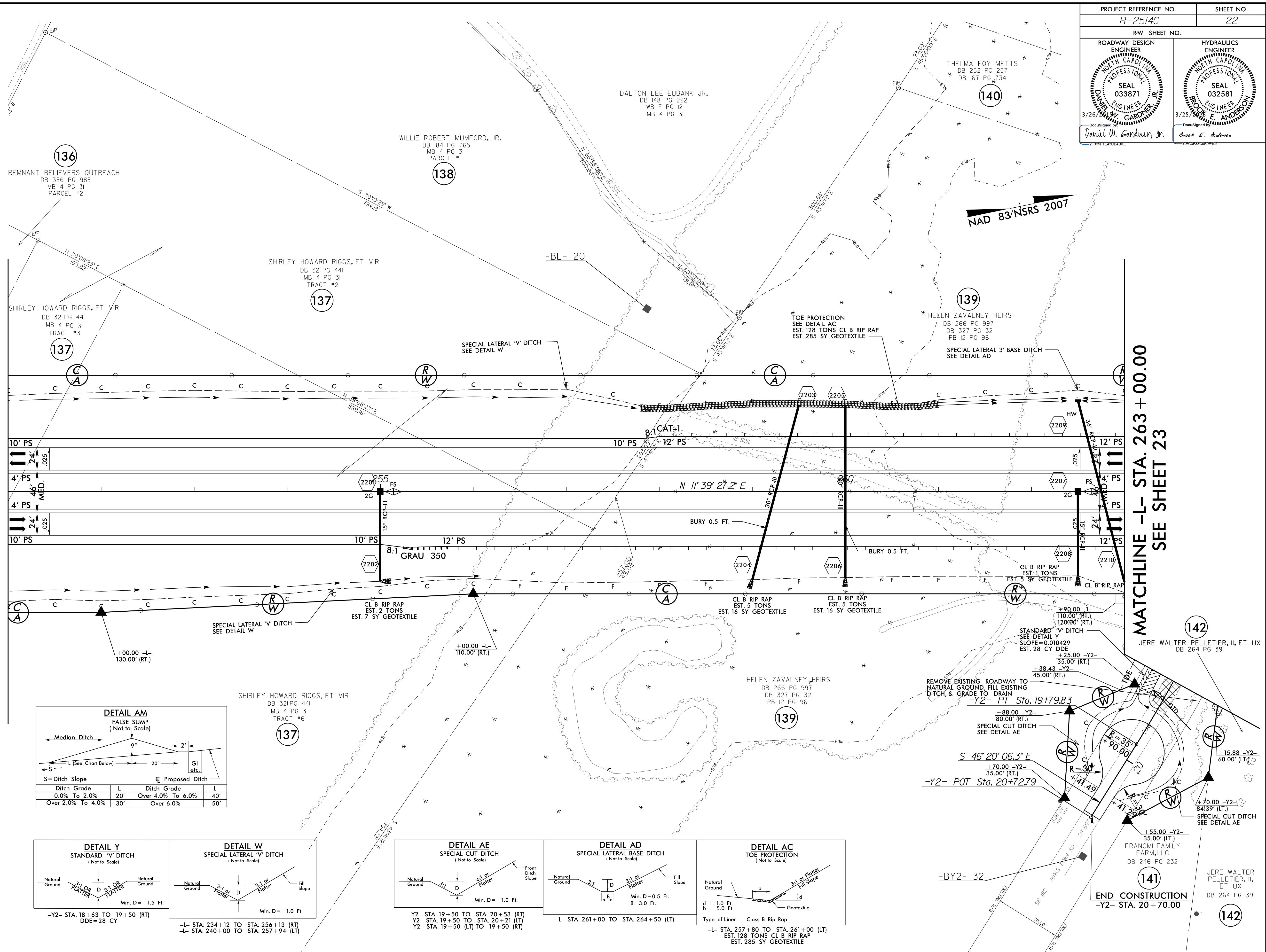


MATCHLINE -L- STA. 251 + 00.00 SEE SHEET 21

MATCHLINE -L- STA. 263 + 00.00 SEE SHEET 23



REVISIONS

8/17/99  
3/23/2015  
C:\Cadd\2514C\Roadway\Proj\2514C\_RdBy\_psh\_22.dgn