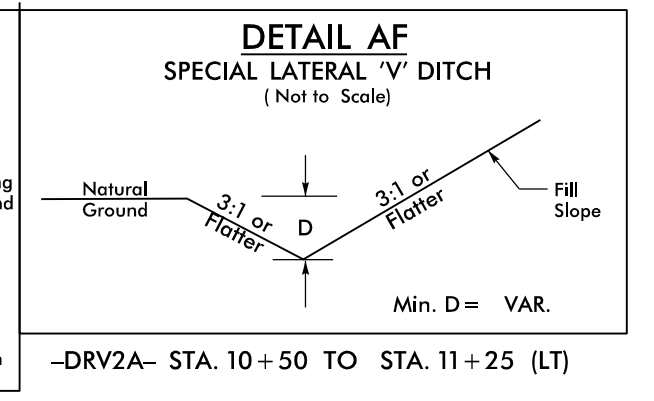
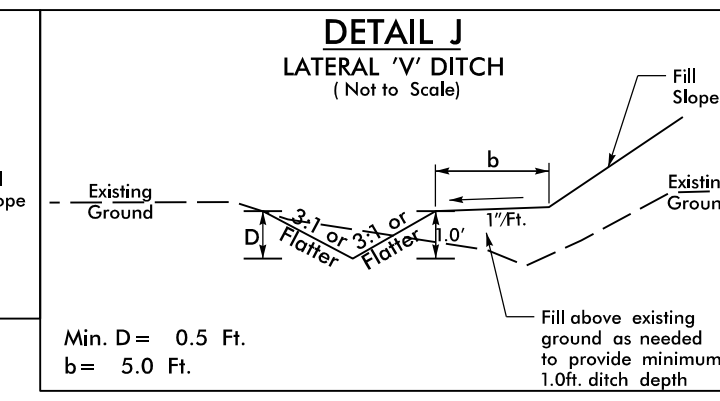
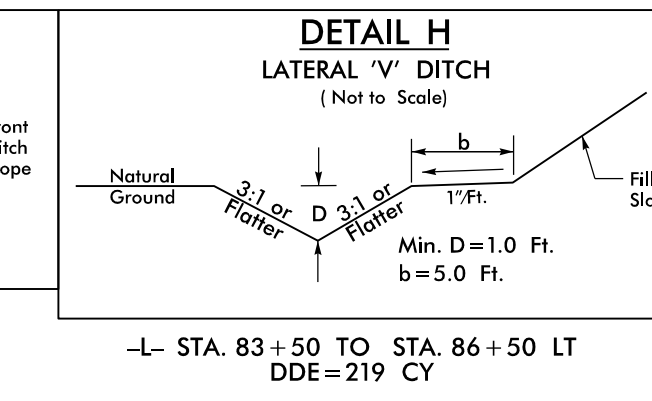
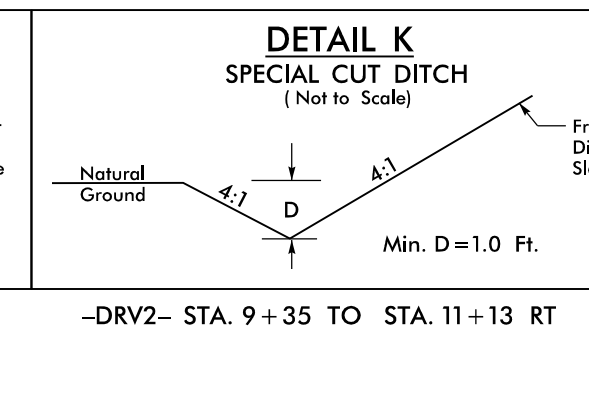
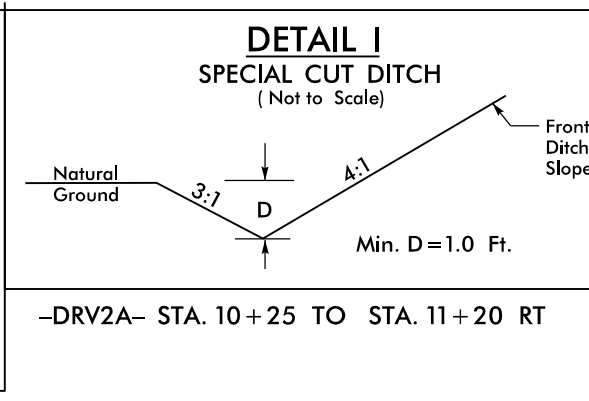
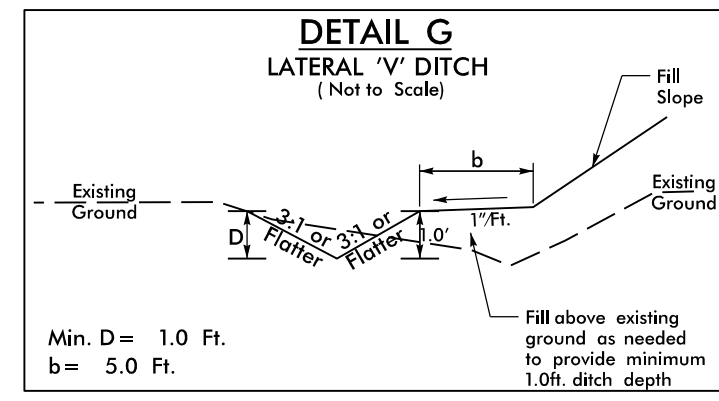
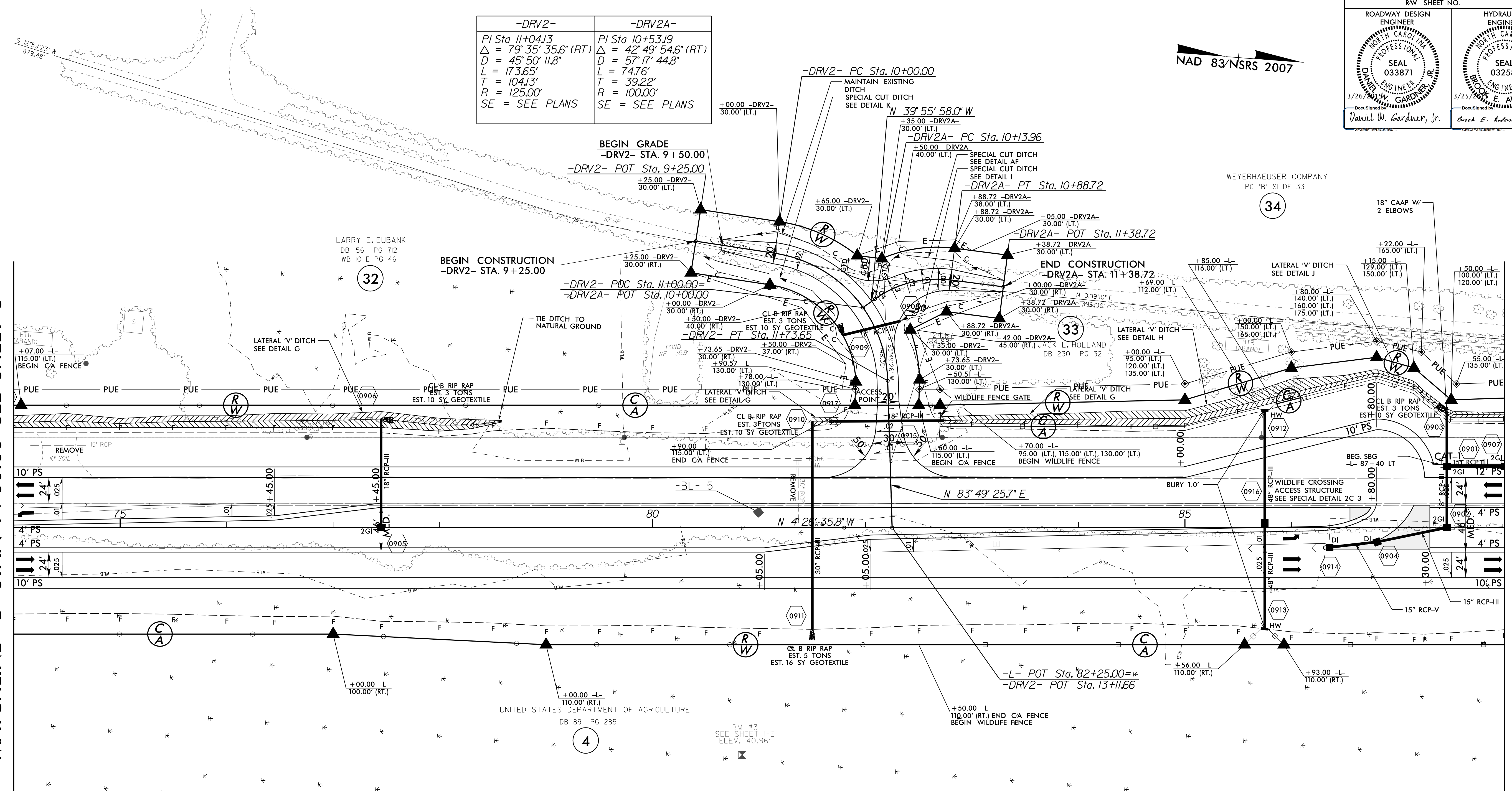




-DRV2-	-DRV2A-
PI Sta 11+04.13	PI Sta 10+53.19
$\Delta = 79^\circ 35' 35.6" (RT)$	$\Delta = 42^\circ 49' 54.6" (RT)$
$D = 45^\circ 50' 11.8"$	$D = 57^\circ 17' 44.8"$
$L = 173.65'$	$L = 74.76'$
$T = 104.13'$	$T = 39.22'$
$R = 125.00'$	$R = 100.00'$
SE = SEE PLANS	SE = SEE PLANS

MATCHLINE -L- STA. 74 + 00.00 SEE SHEET 8

MATCHLINE -L- STA. 88 + 00.00 SEE SHEET 10



-L- STA. 66+00 TO STA. 78+30 LT DDE=439 CY
 -L- STA. 81+50 TO STA. 83+50 LT DDE=47 CY

-L- STA. 83+50 TO STA. 86+50 LT
 DDE=219 CY

-L- STA. 86+50 TO STA. 89+00 LT
 DDE=30 CY

NOTE: SBG - "SHOULDER BERM GUTTER"
 ALL DRIVES ARE 12' UNLESS NOTED OTHERWISE.
 PAVE ALL DRIVES TO BACK OF TURNOUT RADIUS.
 SEE SHEET 2A-5 FOR DRIVEWAY PROFILE DETAILS.
 SEE SHEET 2C-1 FOR WILDLIFE FENCE DETAIL.

SEE SHEET 31 FOR -L- PROFILE
 SEE SHEET 43 FOR -DRV2- PROFILE
 SEE SHEET 43 FOR -DRV2A- PROFILE

REVISIONS

8/17/99
 P:\862201\Cadd\2514C\Roadway\Proj\NR2514C.RDBy_psh_09.dgn
 3/18/2015 10:18:22 AM