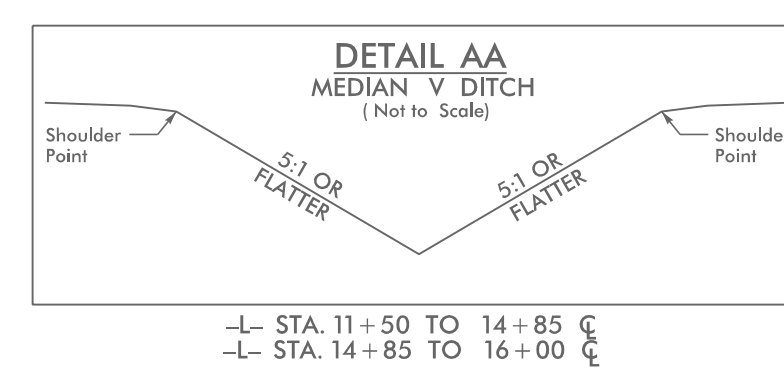
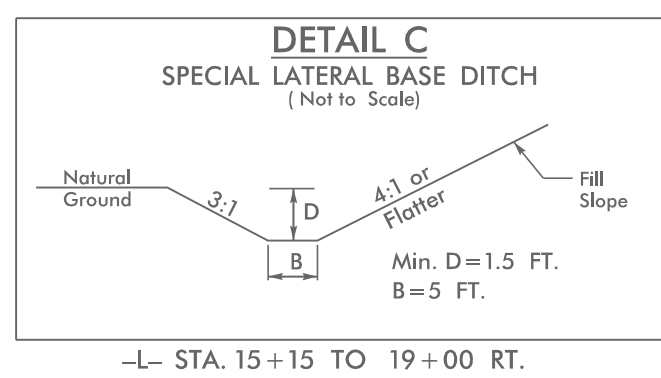
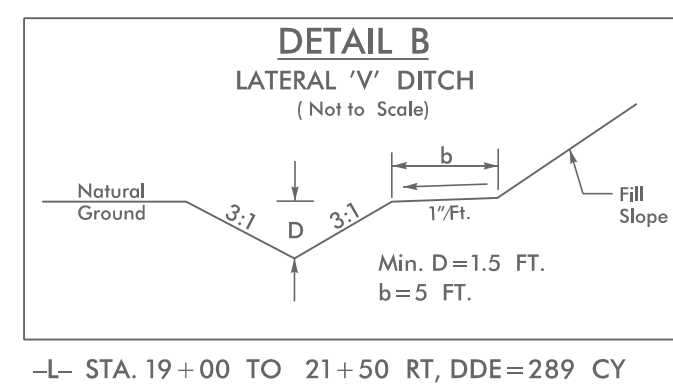
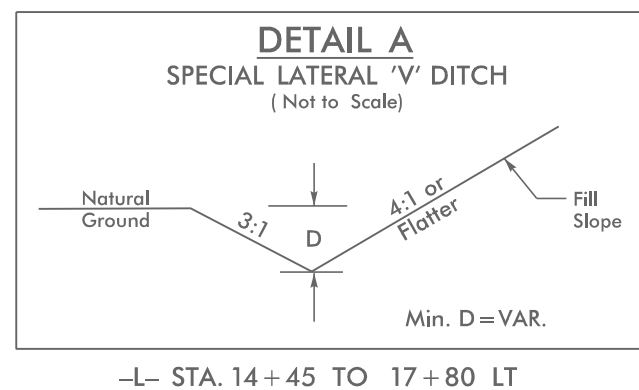
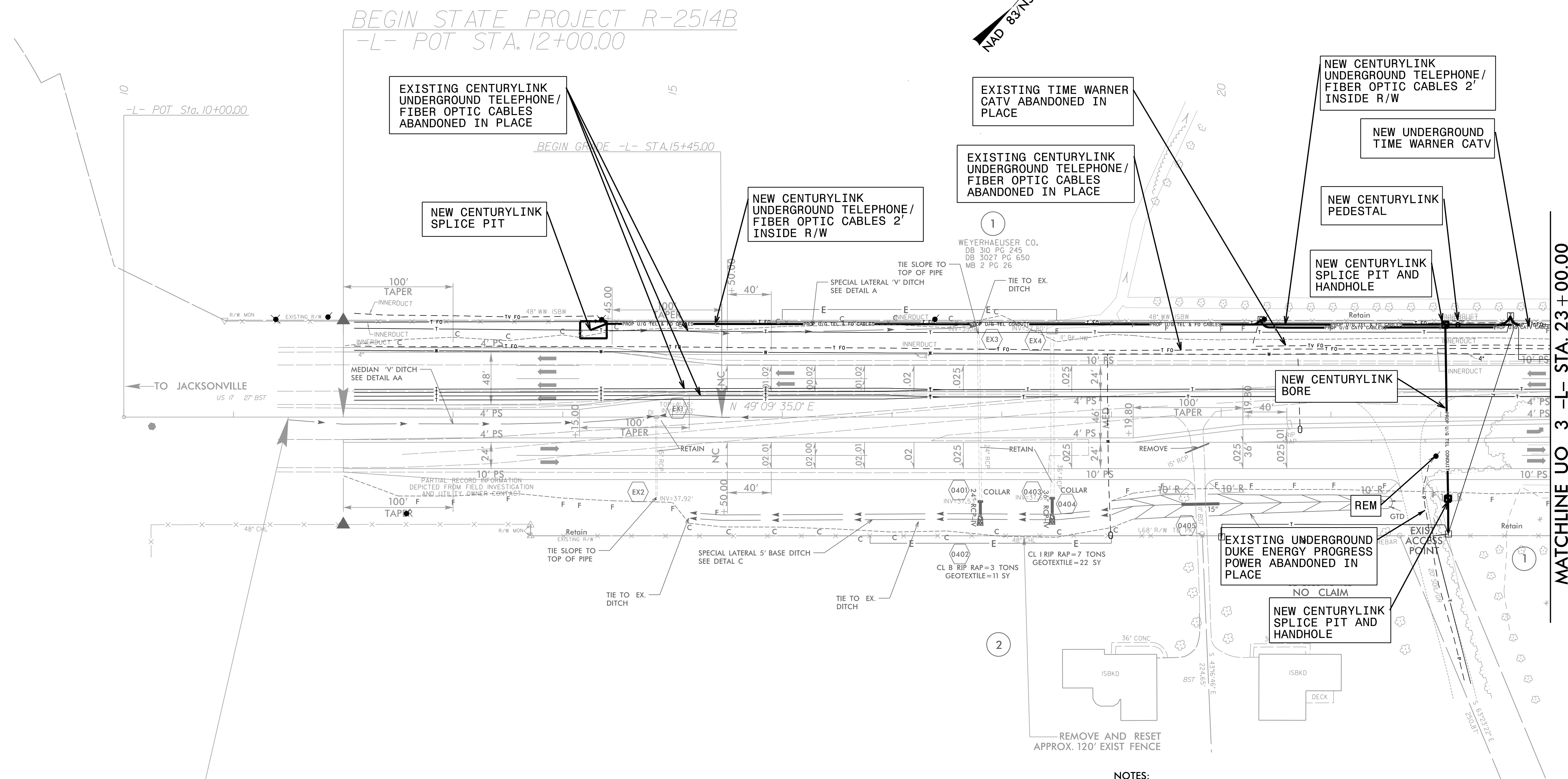


UTILITIES BY OTHERS

NOTE:
 ALL PROPOSED UTILITY WORK SHOWN ON THIS SHEET WILL BE DONE BY OTHERS. NO PAYMENT WILL BE MADE TO THE CONTRACTOR FOR PROPOSED UTILITY WORK SHOWN ON THIS SHEET.



NAD 83/NRS 2007



- NOTES:**
1. DUKE ENERGY PROGRESS WILL STAY ON EXISTING POLE LINE
 2. ALL CENTURYLINK UNDERGROUND TELEPHONE AND FIBER OPTIC IS TO BE ABANDONED IN PLACE
 3. TIME WARNER CABLE ABANDONED IN PLACE UNDERGROUND FACILITIES AS NOTED

<p>UTILITY OWNERS ON THIS SHEET</p>	<p>PLANS PREPARED BY :</p>
<p>DUKE ENERGY PROGRESS - POWER CENTURYLINK - TELEPHONE AND FIBER OPTIC TIME WARNER - CATV</p>	<p>RK&K RUMMEL, KLEPPER & KAHL, LLP 900 RIDGEFIELD DRIVE SUITE 350 RALEIGH, NORTH CAROLINA 27609-3960 NC LICENSE NO. F-0112 • (919) 878-9560</p>