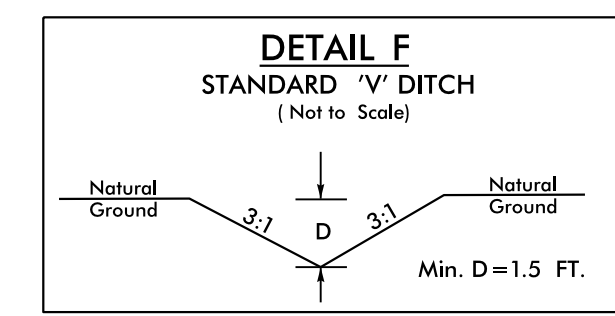
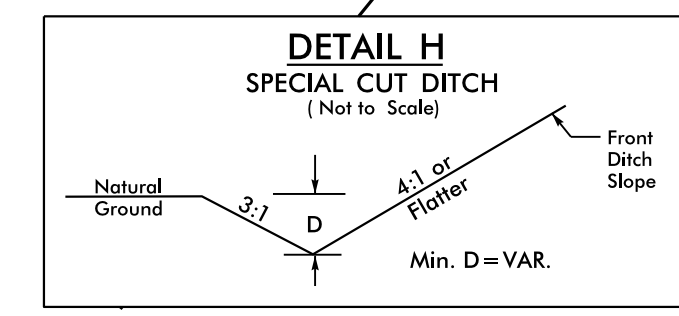
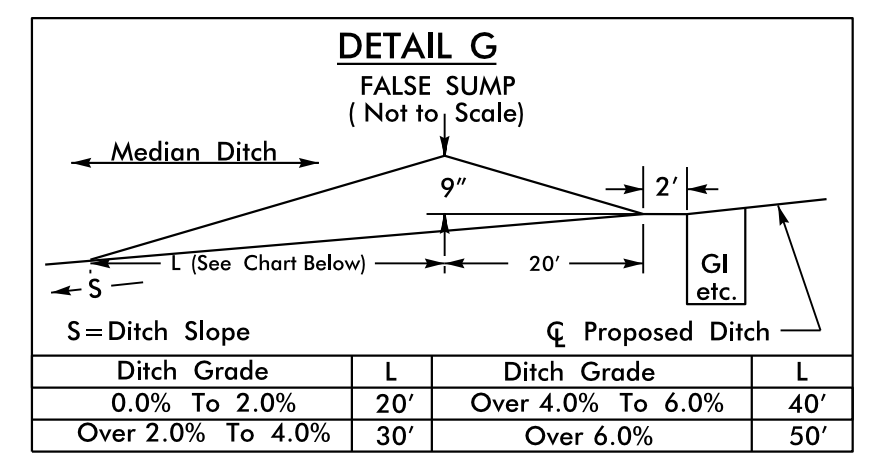
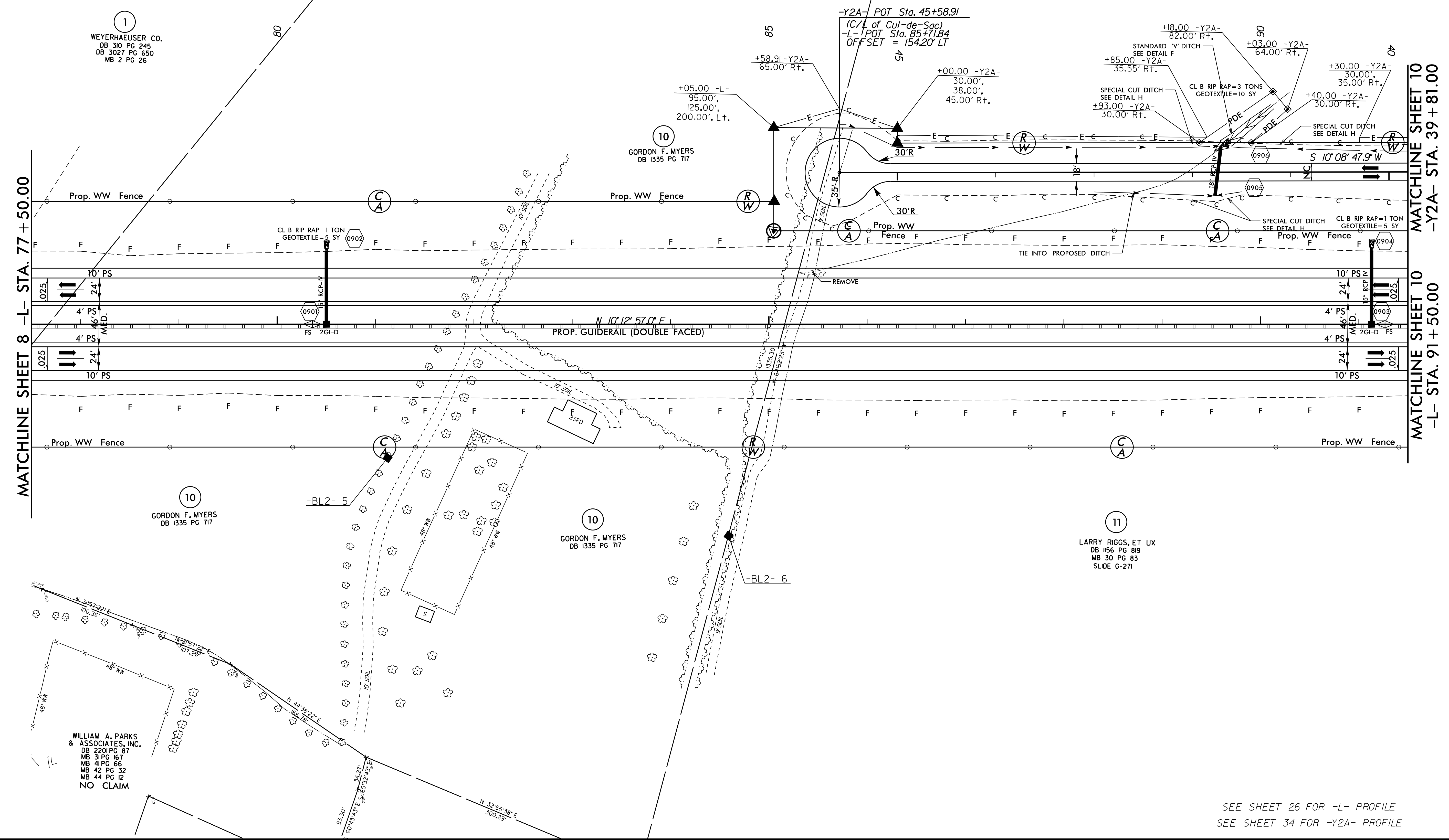


NAD 83/NSRS 2007



-Y2A- STA. 41+50 TO 43+00 LT.  
-Y2A- STA. 39+66 TO 41+71 RT.  
-Y2A- STA. 41+71 TO 45+59 RT.

-Y2A- STA. 39+19 RT., DDE=10 CY



1  
WEYERHAEUSER CO.  
DB 310 PG 245  
DB 3027 PG 650  
MB 2 PG 26

10  
GORDON F. MYERS  
DB 1335 PG 717

11  
LARRY RIGGS, ET UX  
DB 1156 PG 819  
MB 30 PG 83  
SLIDE G-271

10  
GORDON F. MYERS  
DB 1335 PG 717

10  
GORDON F. MYERS  
DB 1335 PG 717

11  
LARRY RIGGS, ET UX  
DB 1156 PG 819  
MB 30 PG 83  
SLIDE G-271

WILLIAM A. PARKS  
& ASSOCIATES, INC.  
DB 2201 PG 87  
MB 31 PG 167  
MB 41 PG 66  
MB 42 PG 32  
MB 44 PG 12  
NO CLAIM

SEE SHEET 26 FOR -L- PROFILE  
SEE SHEET 34 FOR -Y2A- PROFILE

REVISIONS

8/17/99

14-APR-2015 09:18 \\P2514B\_rdy\_pst9.dgn  
S:\ASSETMANAGEMENT\5448