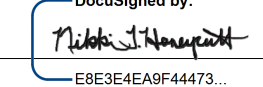
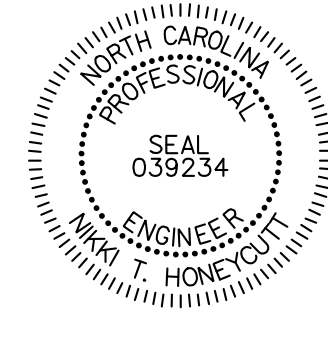
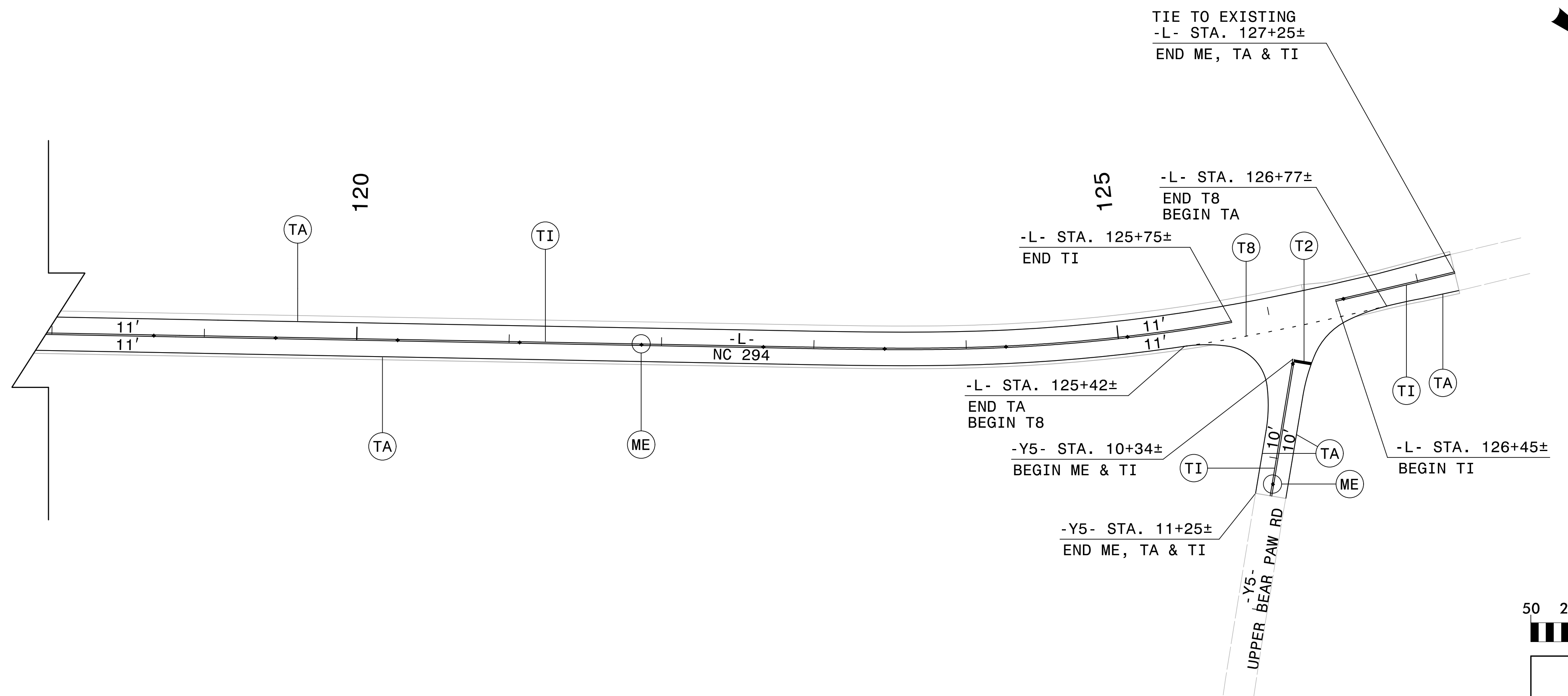
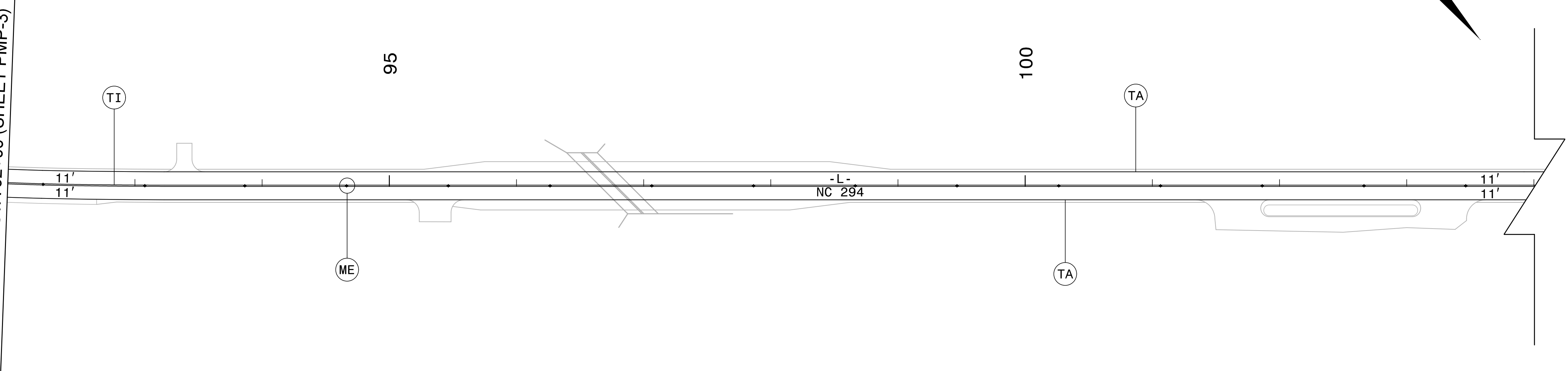


STV / Ralph Whitehead Associates, Inc.
 900 West Trade St., Ste. 715
 Charlotte, NC 28202
 NC License Number F-0991

TIP NO. R-3622B	SHEET NO. PMP-4
APPROVED: 	
DATE: 4/10/2015	
SEAL	
	

MATCHLINE -L- STA 92+00 (SHEET PMP-3)



PAVEMENT MARKING DETAIL

4/9/2015
 R:\Roadway\Proj\NMP\3622B_PMP_psh04.dgn
 CGroves