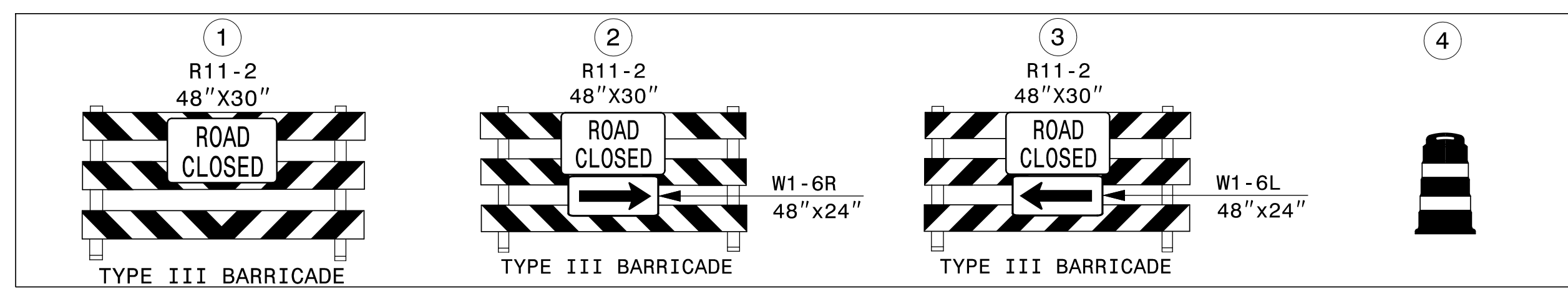
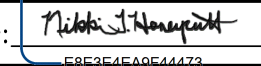


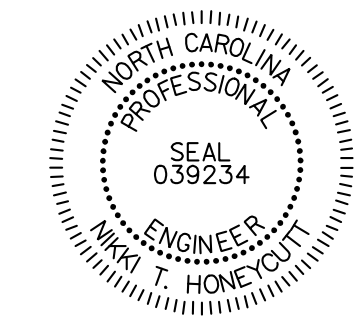
R:\TrafficControl\CPAR3622B_TC_TMP_08.dgn 4/9/2015

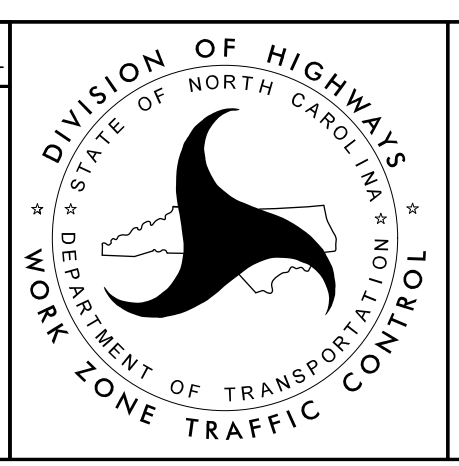
* NOTE: ALL STATIONS AND DIMENSIONS SHOWN +/-

SCALE 1" = 50'



APPROVED:  DATE: 4/10/2015


 NORTH CAROLINA PROFESSIONAL ENGINEER
 N. T. HONECUTT
 SEAL 039234



**TEMPORARY TRAFFIC CONTROL
PHASE I DETAIL**