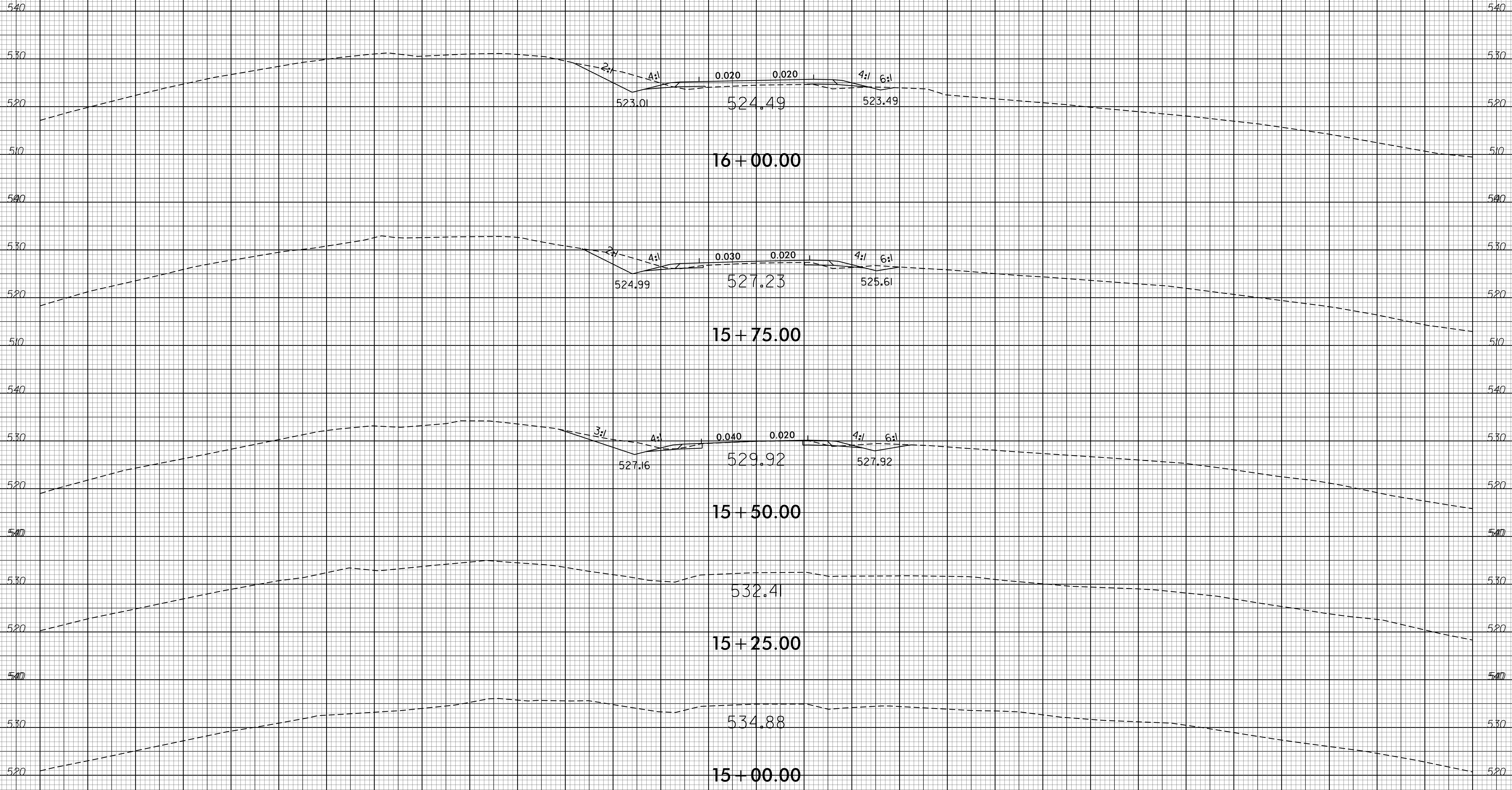
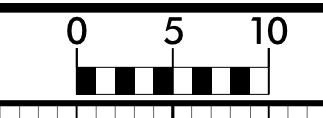
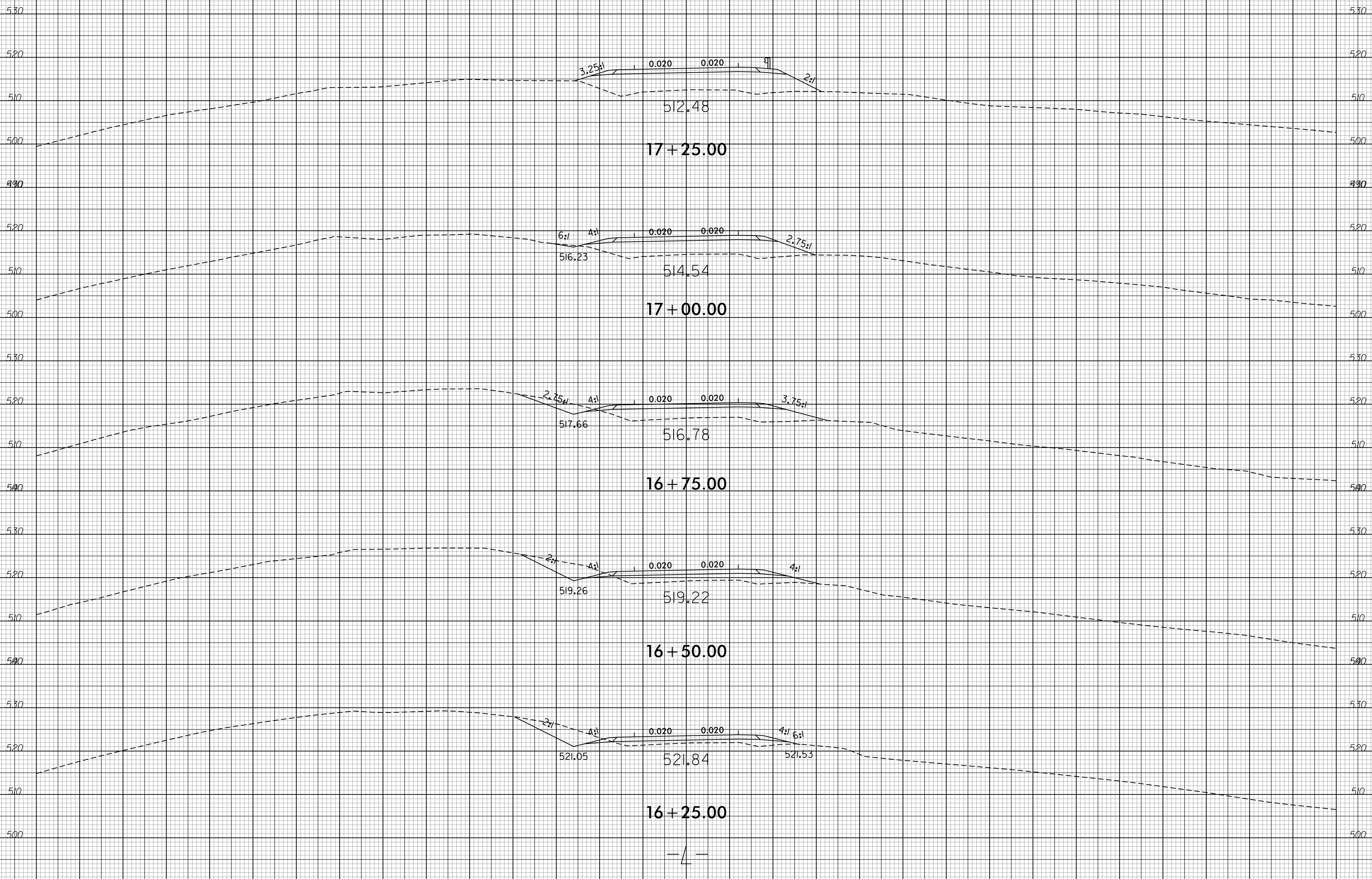


**This electronic collection of documents is provided
for the convenience of the user
and is Not a Certified Document –**

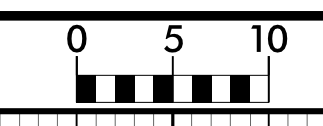
**The documents contained herein were originally issued
and sealed by the individuals whose names and license
numbers appear on each page, on the dates appearing
with their signature on that page.**

**This file or an individual page
shall not be considered a certified document.**



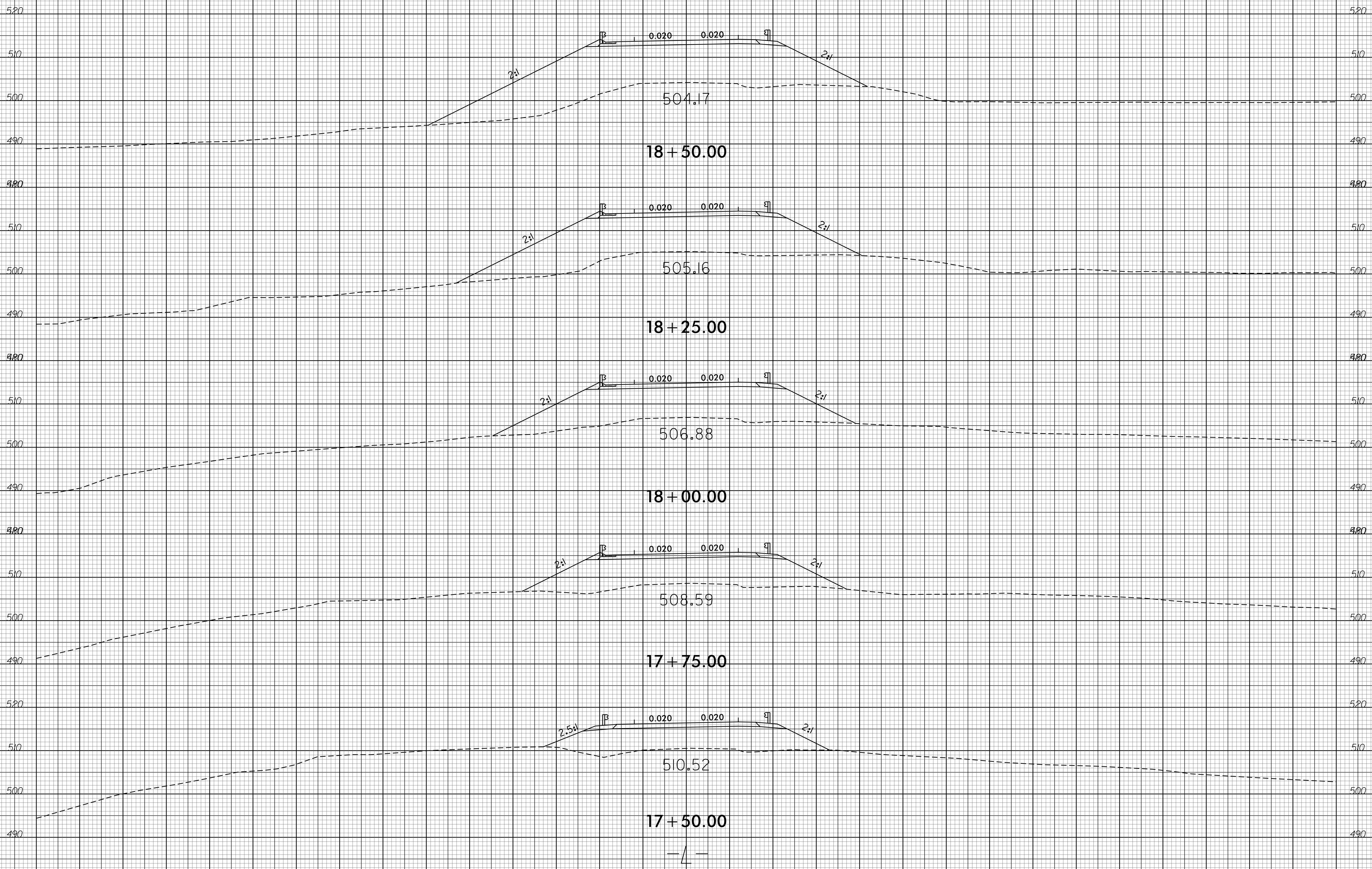


8/23/99

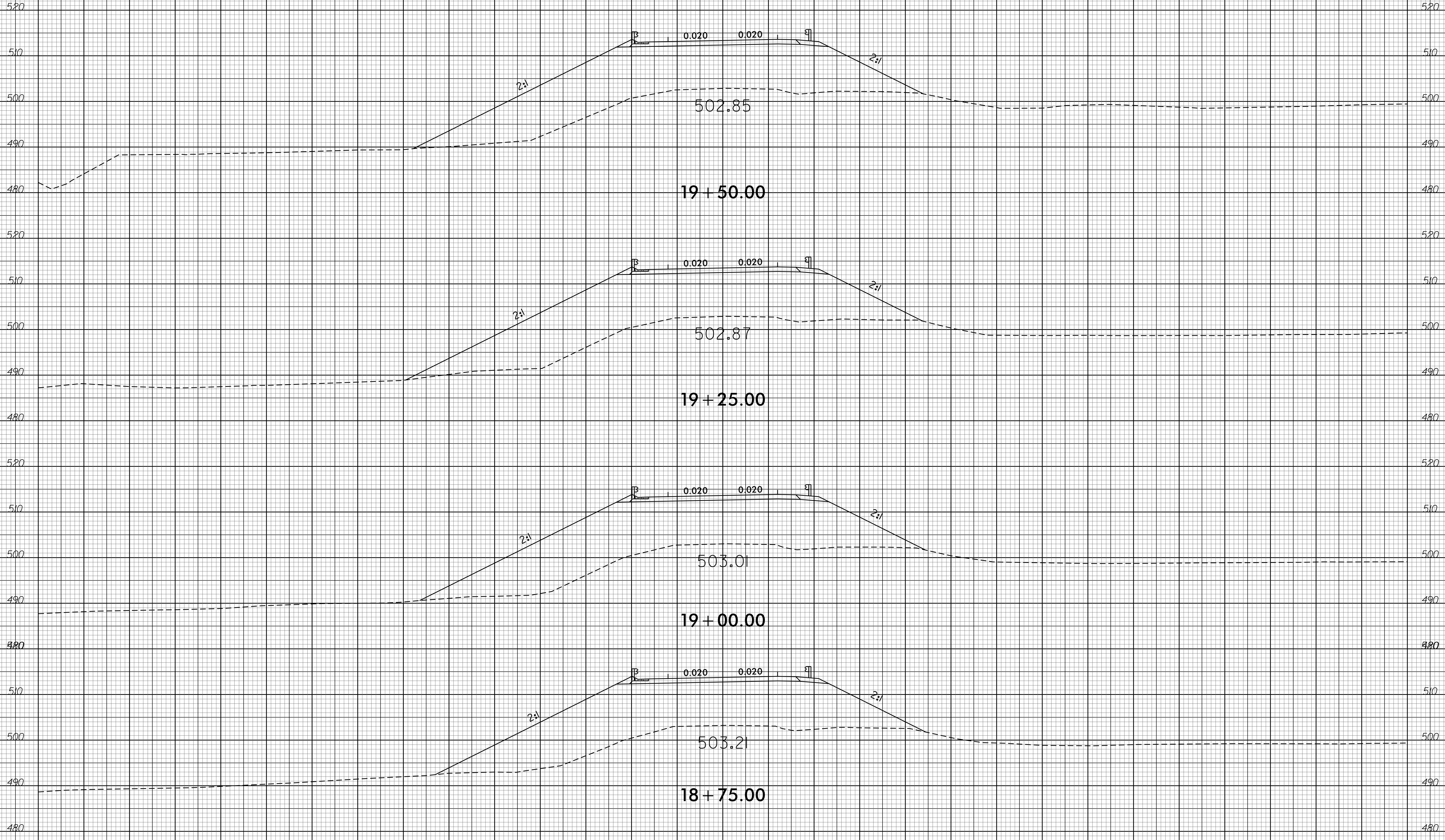
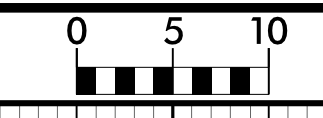


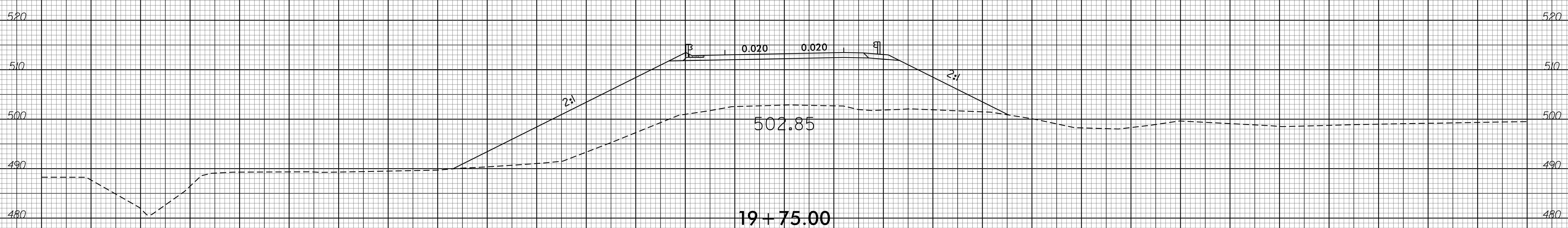
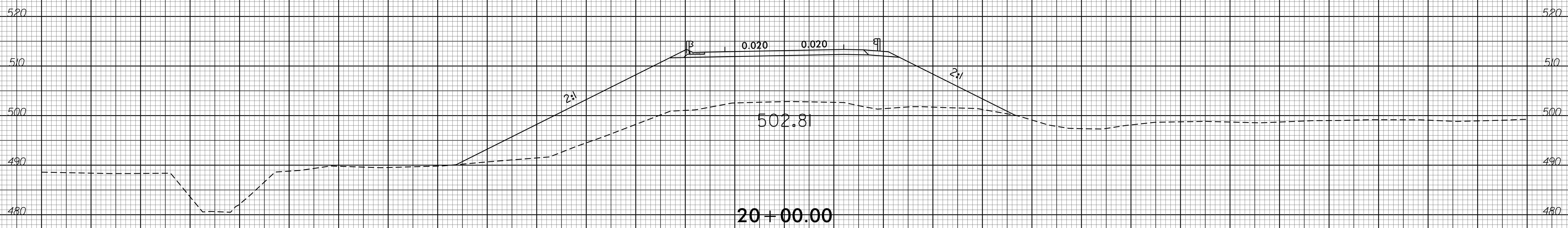
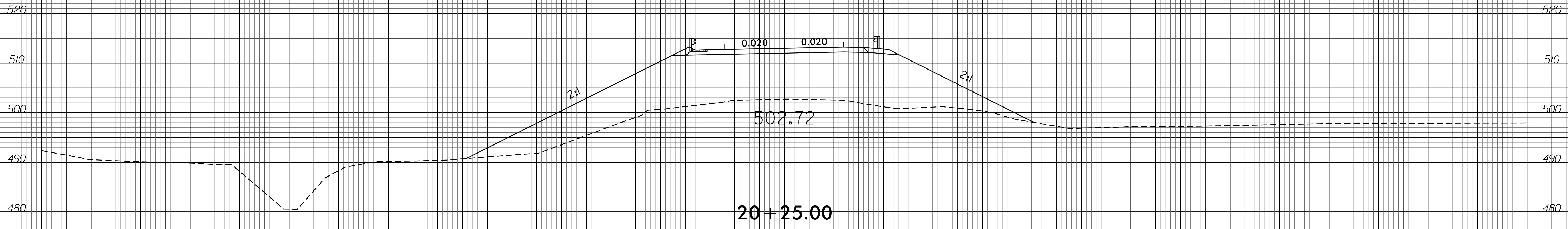
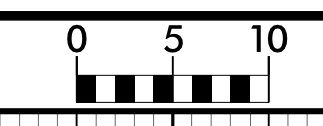
PROJ. REFERENCE NO.
B-4972

SHEET NO.
X-3



05-MAY-2015 14:07
P:\Rogger\XSC\B4972_Pdy.xpl.L.dgn
\$\$\$\$SERIAL\$\$\$\$





— 4 —

520

520

510

510

500

500

490

490

480

480

470

470

510

510

500

500

490

490

480

480

470

470

510

510

500

500

490

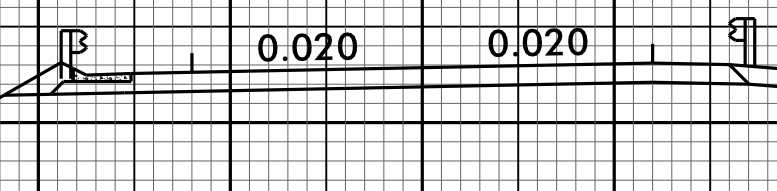
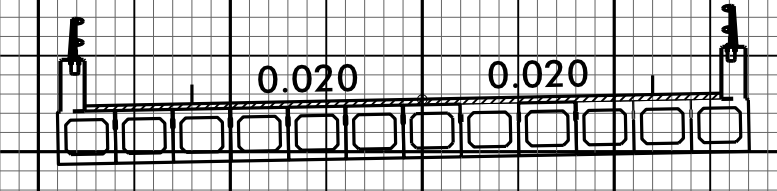
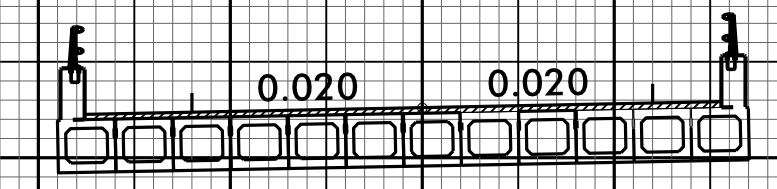
490

480

480

470

470



496.33

GRADE TO THIS LINE EL. 491.00

21+00.00

502.28

GRADE TO THIS LINE EL. 491.00

20+75.00

502.58

20+50.00

1.75:1

2:1

-4-

520

510

500

490

480

470

520

510

500

490

480

470

520

510

500

490

480

470

520

510

500

490

480

470

520

510

500

490

480

470

520

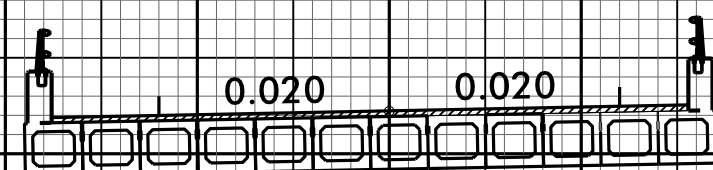
510

500

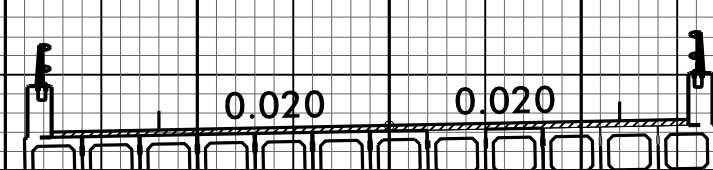
490

480

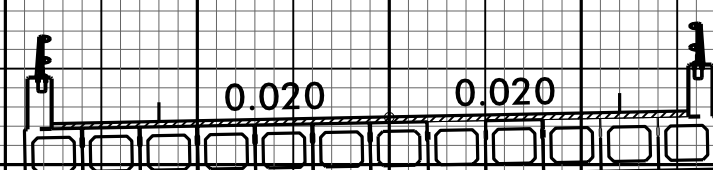
470



476.53
21+75.00



476.31
21+50.00



483.03
21+25.00

-/-

