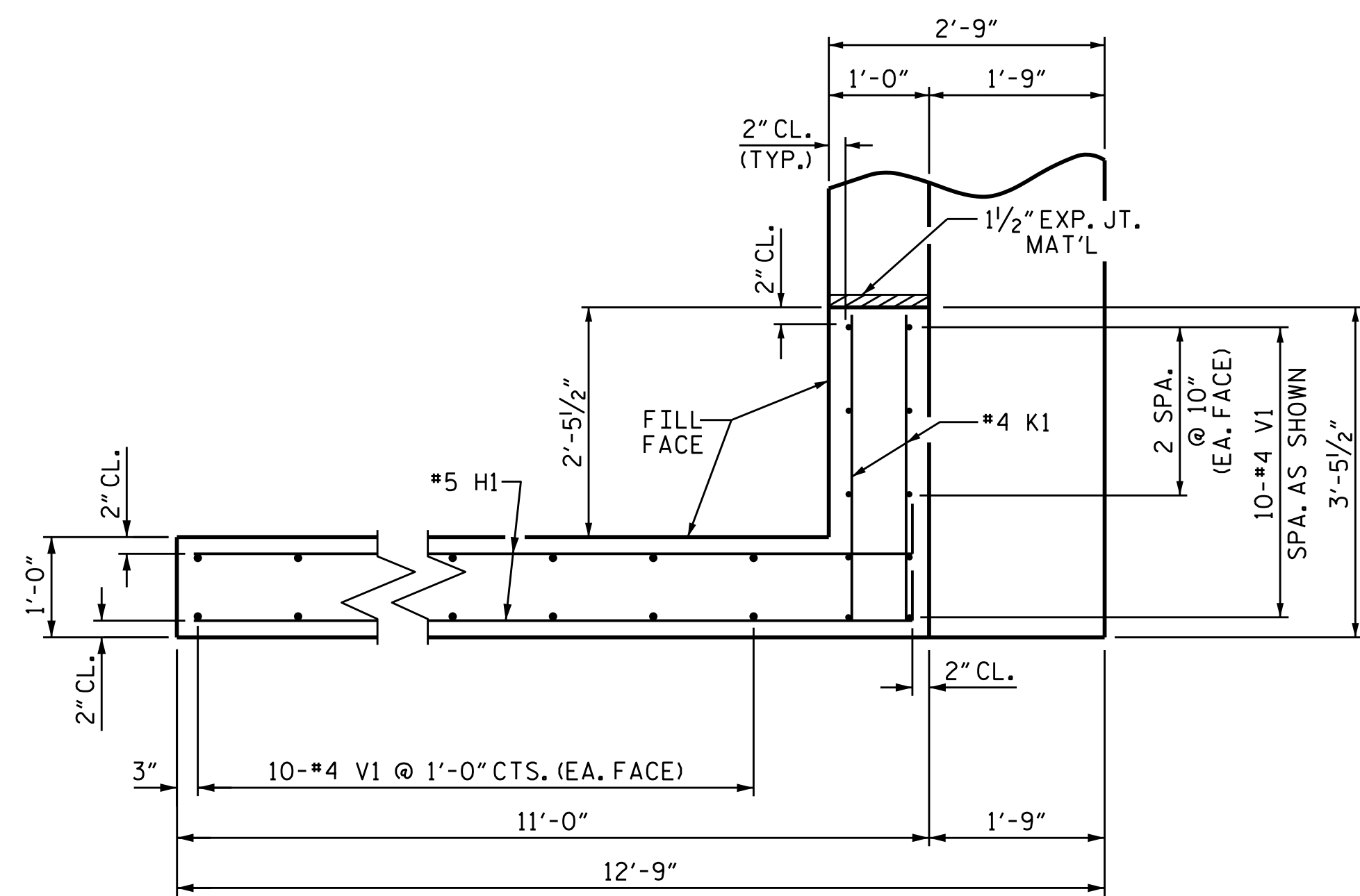
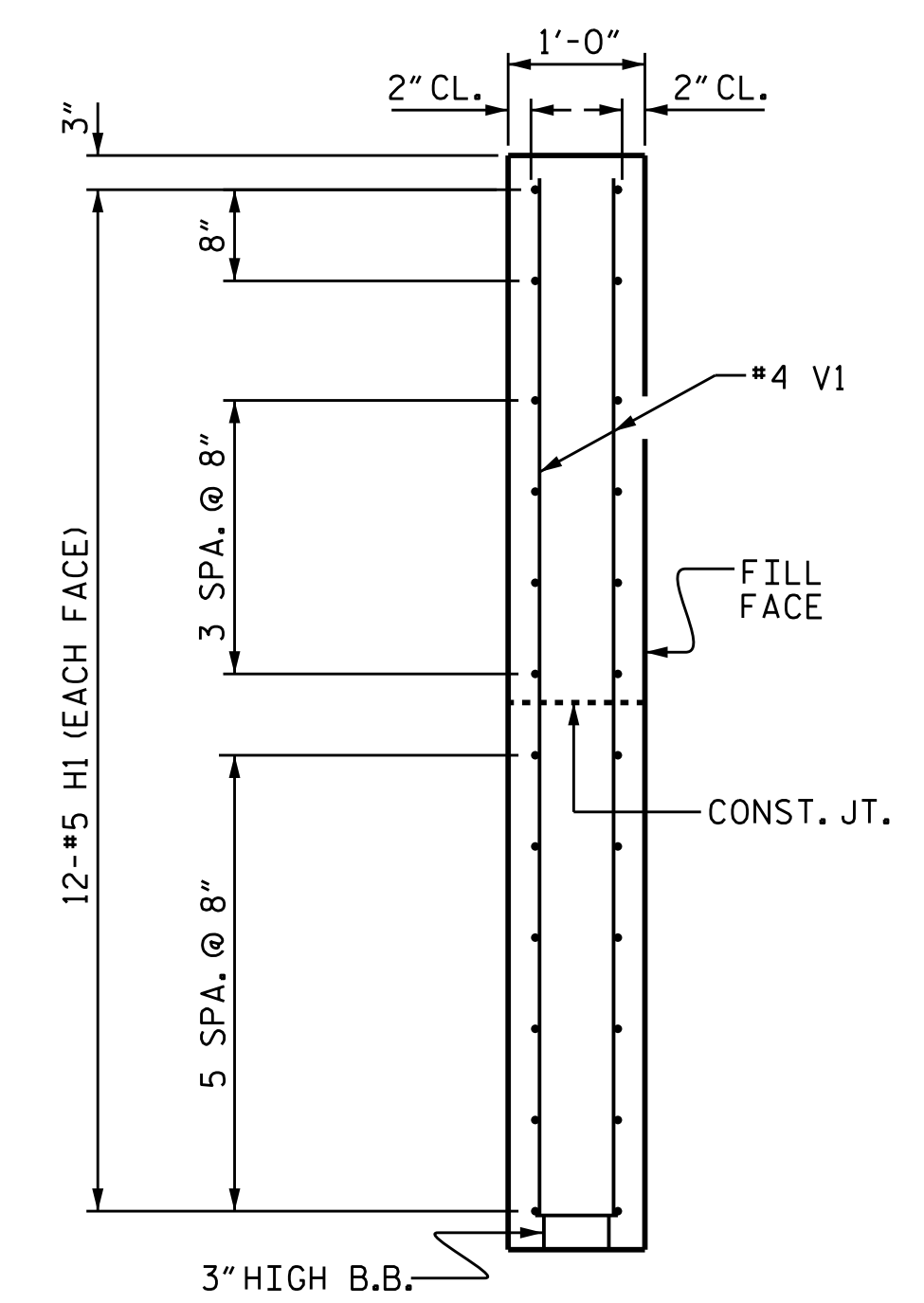


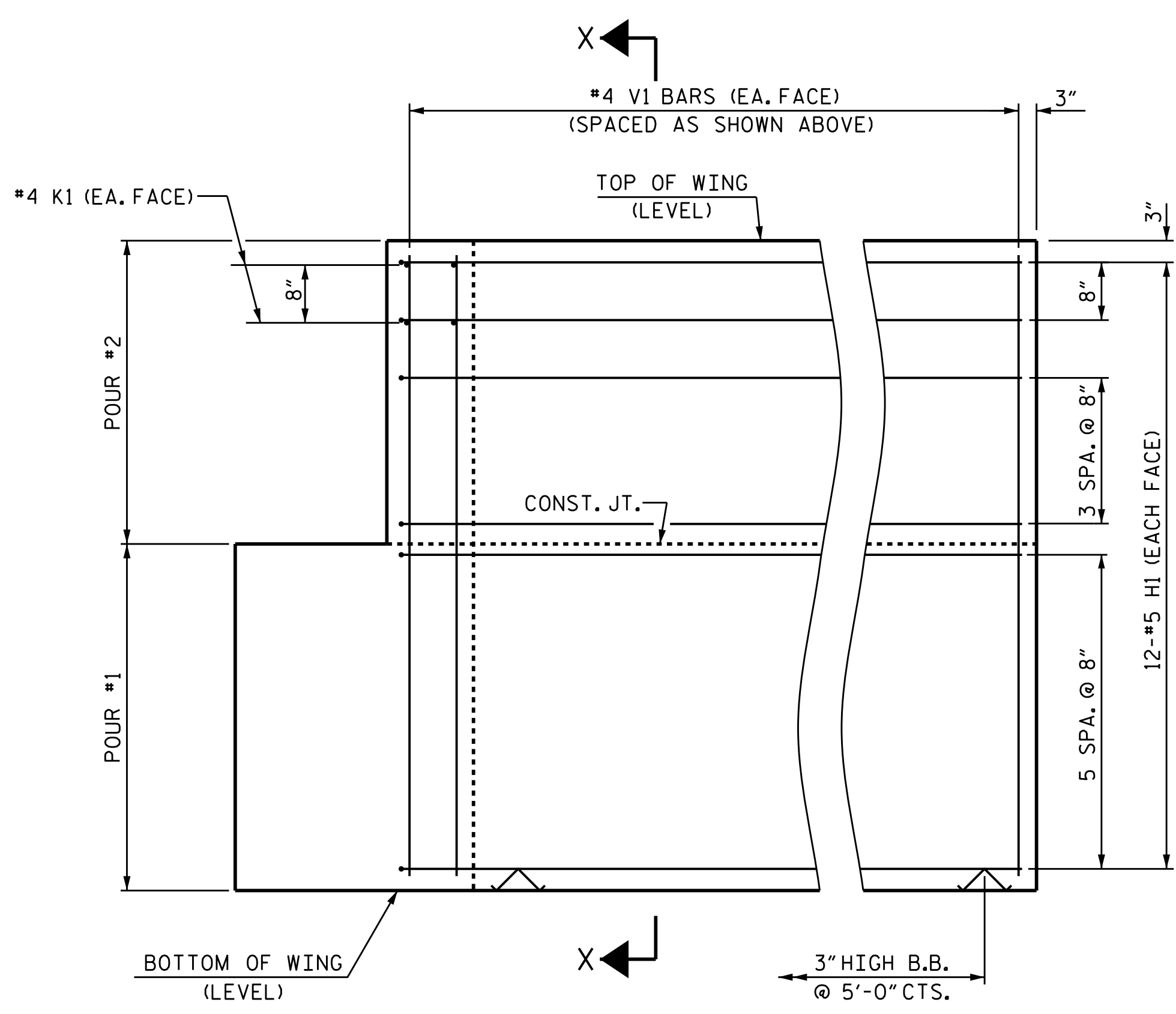
PLAN OF WING (W1)



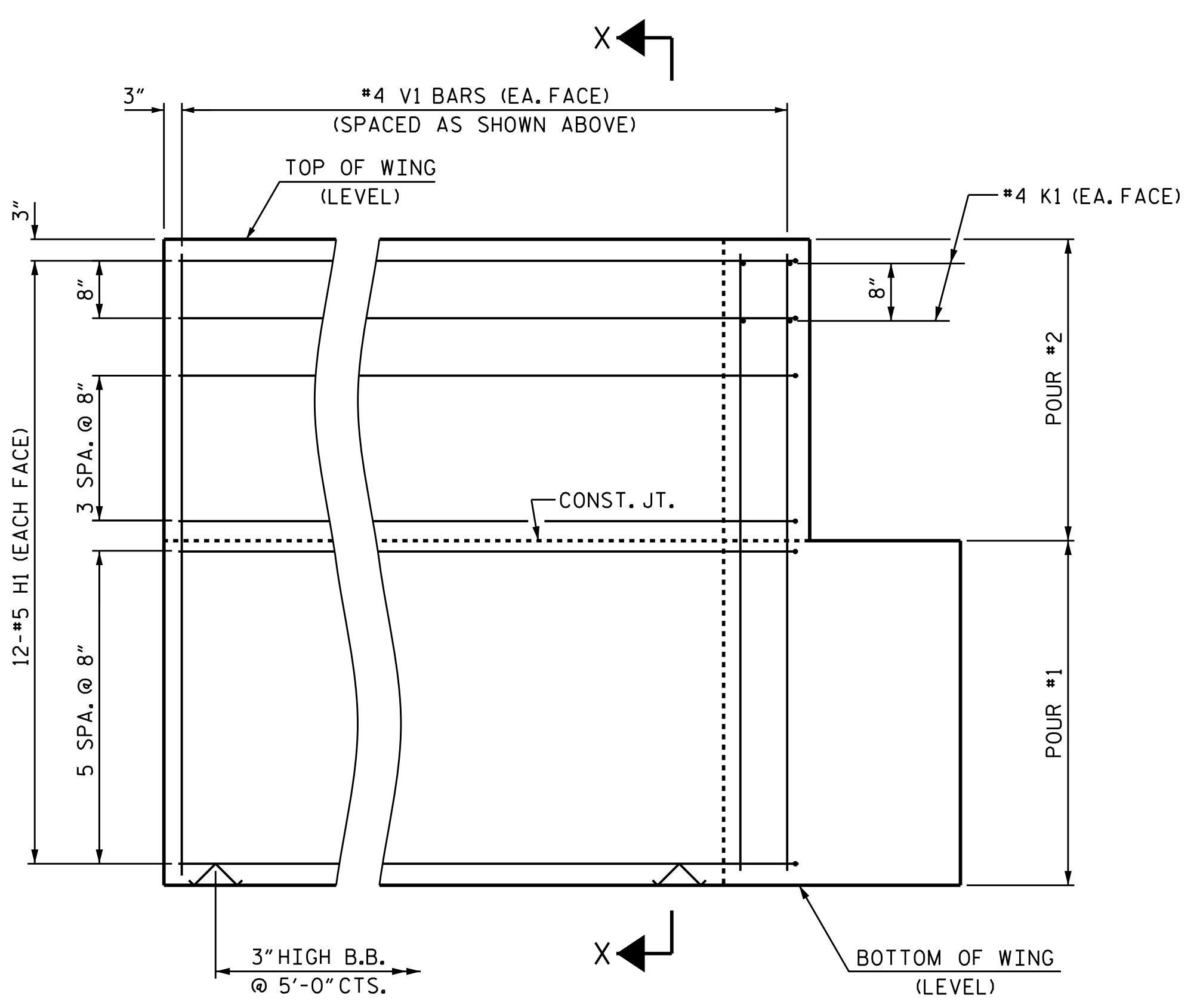
PLAN OF WING (W2)



SECTION X-X



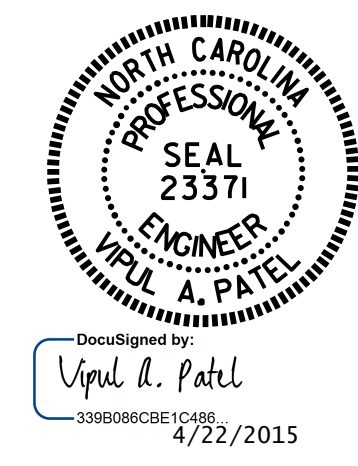
ELEVATION OF WING (W1)



ELEVATION OF WING (W2)

WING DETAILS

PROJECT NO. B-4972
CABARRUS COUNTY
 STATION: 22+55.00 -L-
 SHEET 2 OF 3



STATE OF NORTH CAROLINA DEPARTMENT OF TRANSPORTATION RALEIGH						SHEET NO. S-18
SUBSTRUCTURE END BENT 1						
REVISIONS						TOTAL SHEETS 31
NO.	BY:	DATE:	NO.	BY:	DATE:	
1			3			
2			4			

ASSEMBLED BY: N.D. AIUTO DATE: 10/6/14
 CHECKED BY: M.E. GILES DATE: 12/17/14
 DESIGN ENGINEER OF RECORD: J.P. MCCARTHA DATE: 12/17/14