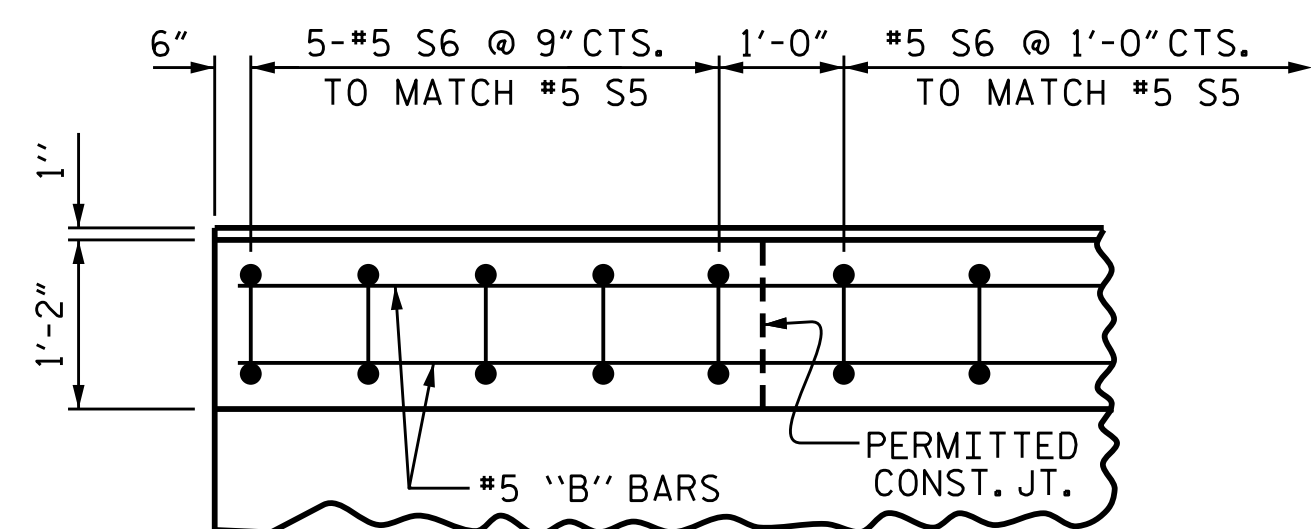
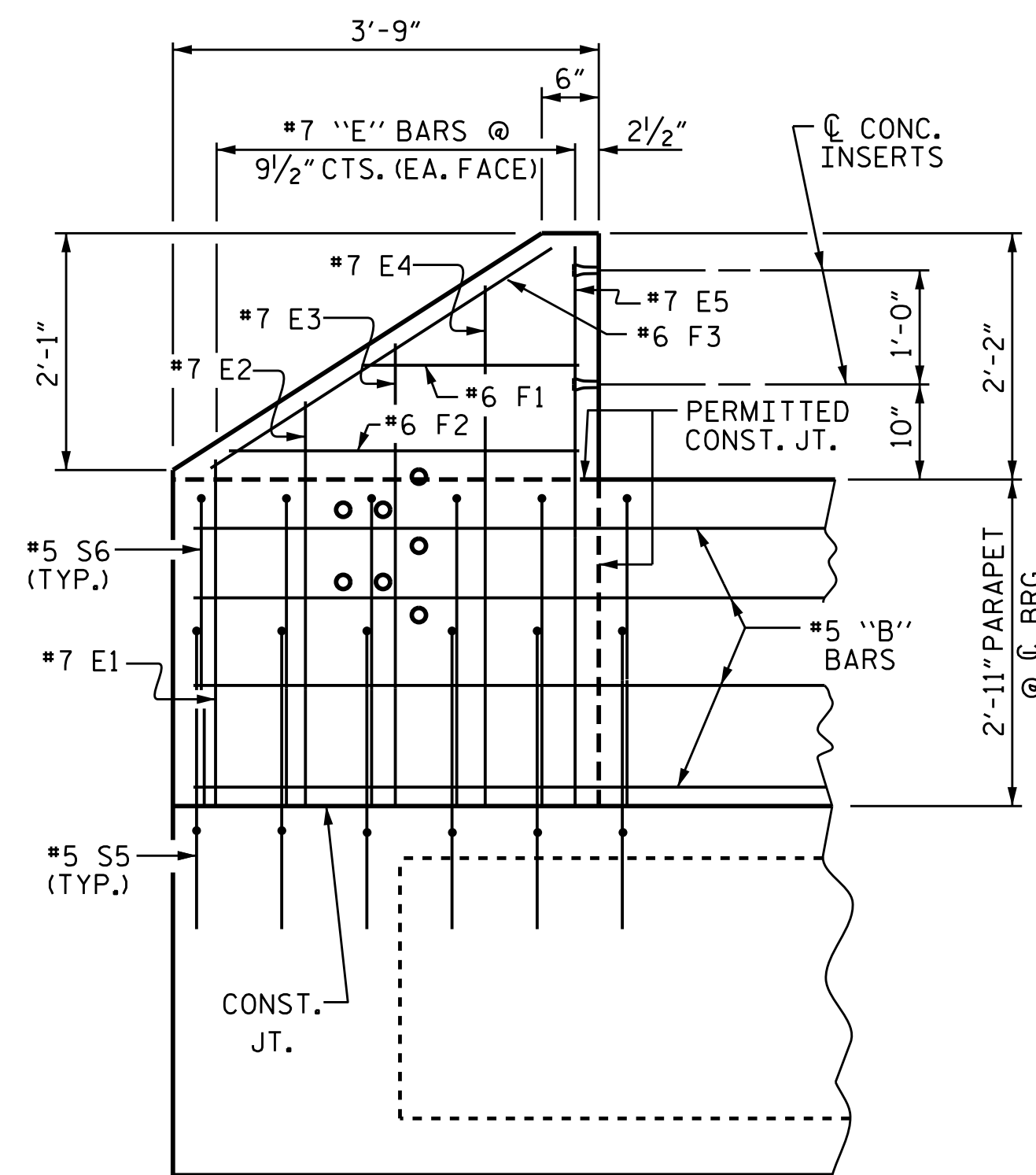


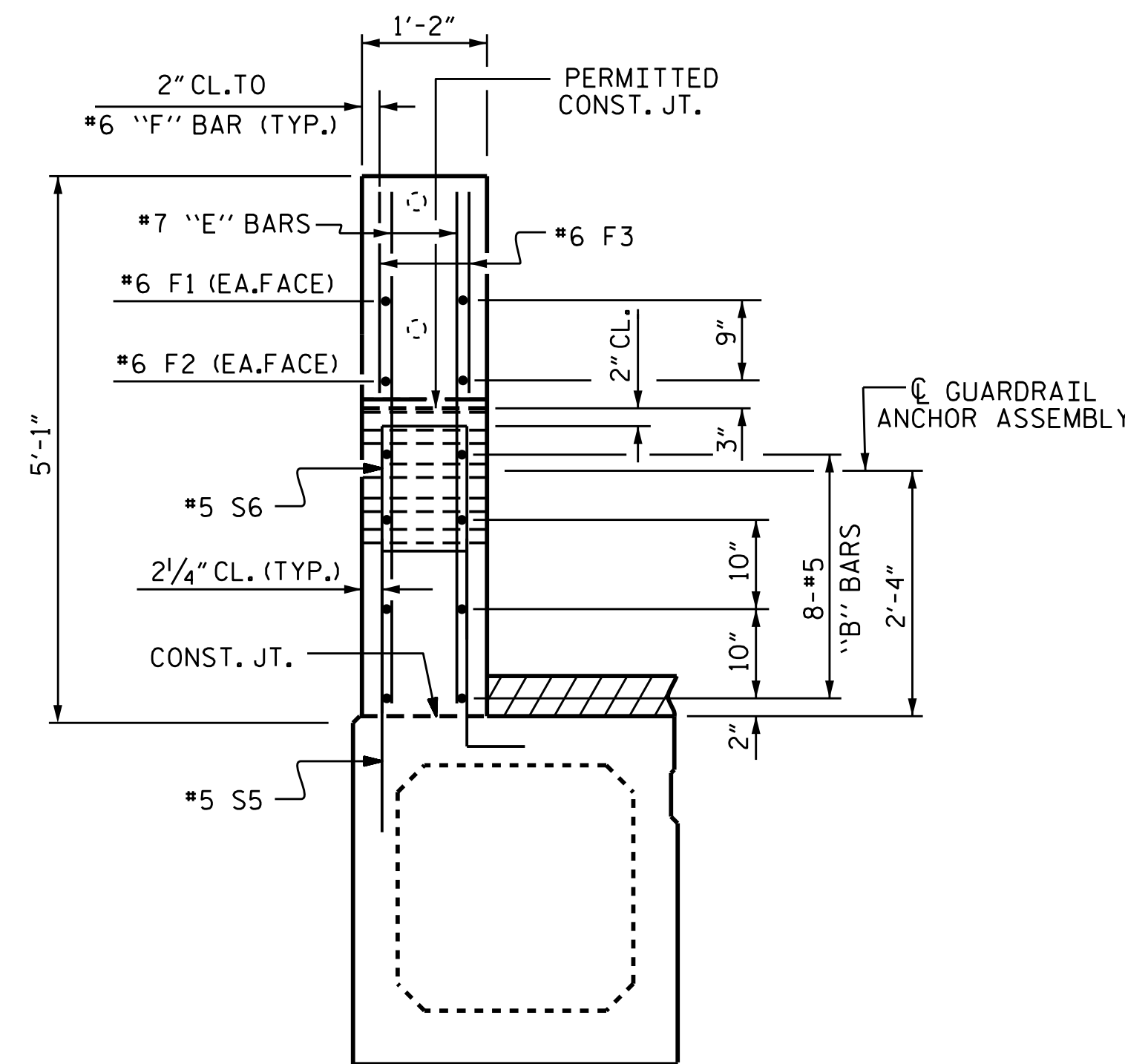
PLAN OF END POST



PLAN OF PARAPET

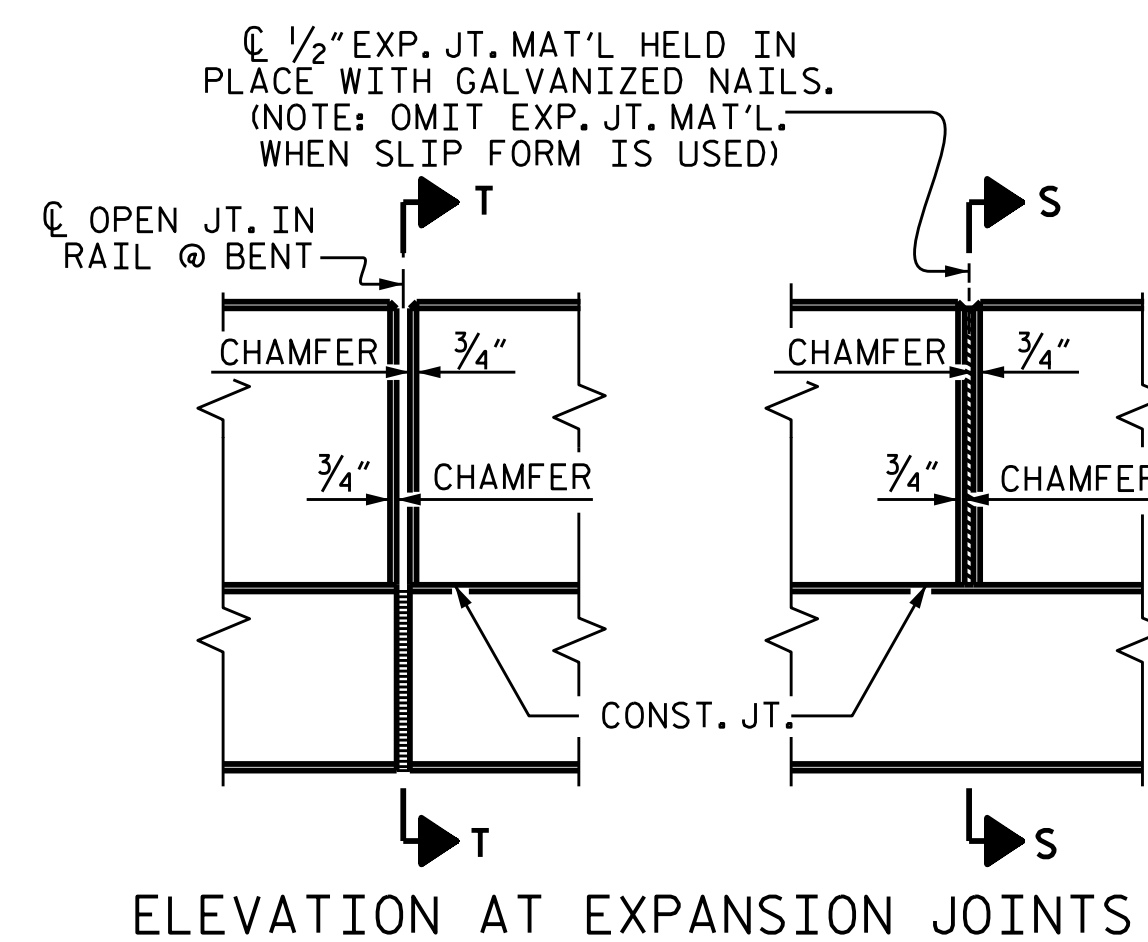


ELEVATION

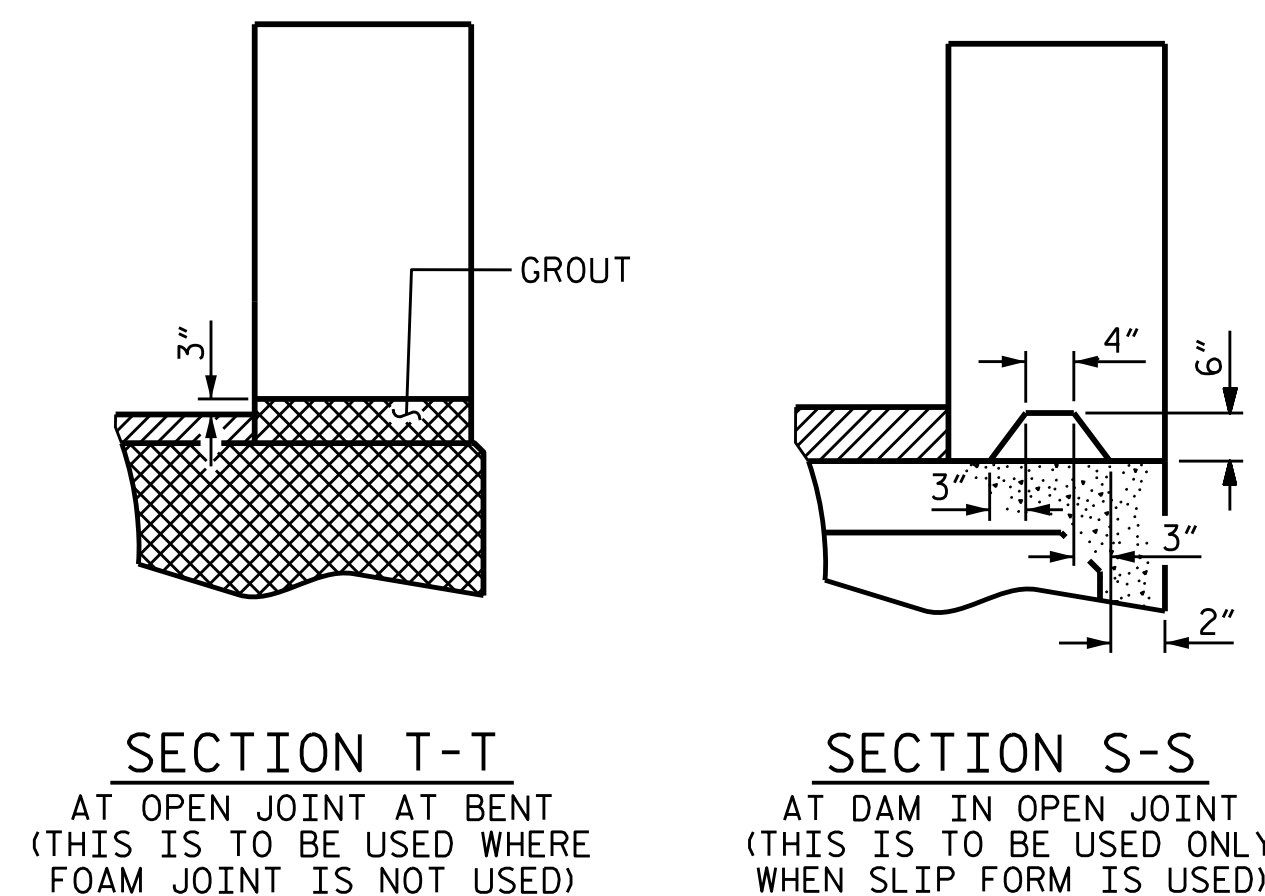


END VIEW

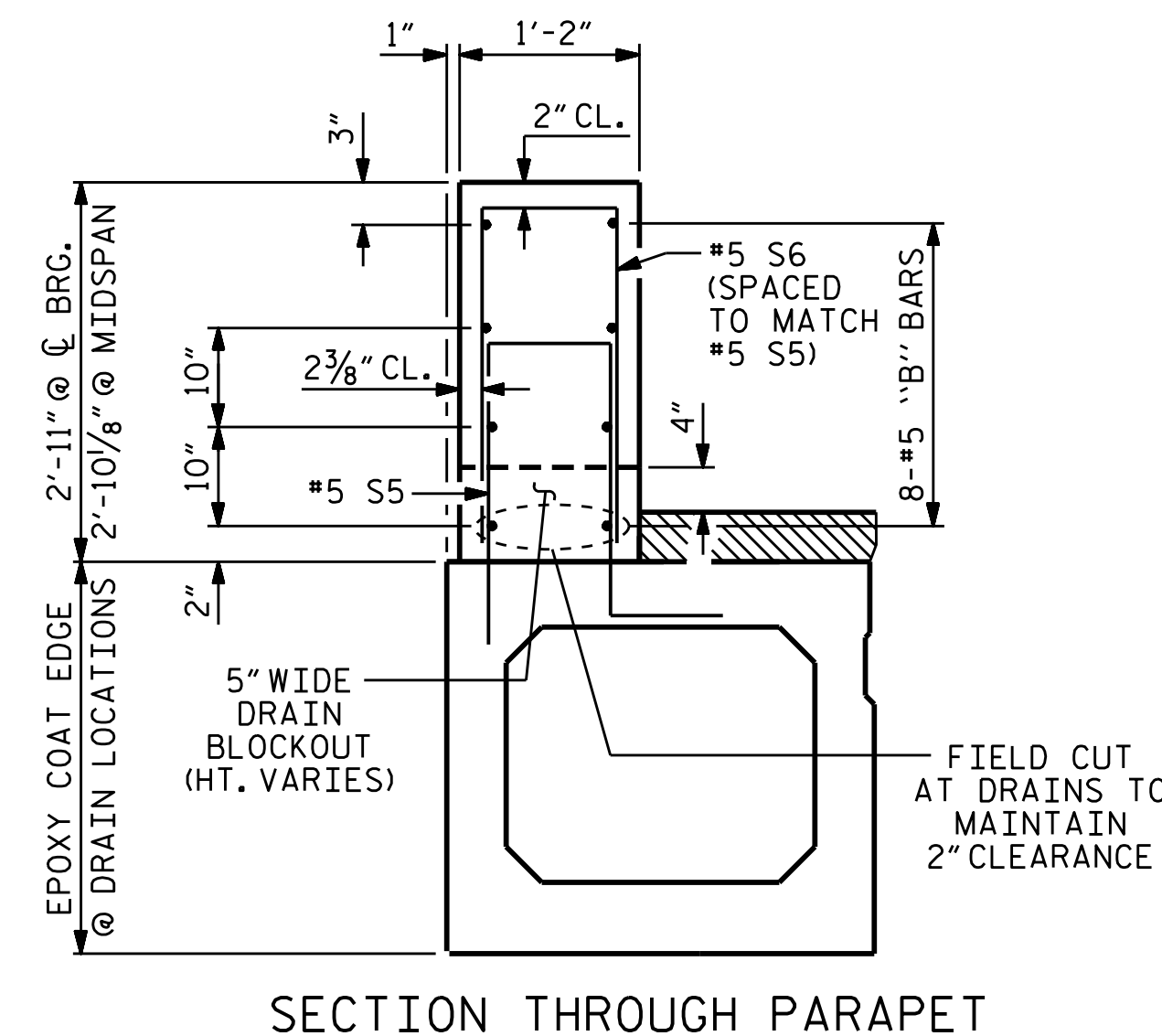
PARAPET AND END POST FOR TWO-BAR RAIL



ELEVATION AT EXPANSION JOINTS



PARAPET DETAILS



SECTION THROUGH PARAPET

NOTES

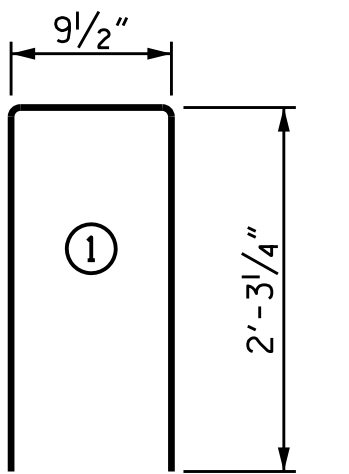
ALL REINFORCING STEEL IN THE CONCRETE PARAPETS AND END POSTS SHALL BE EPOXY COATED.

VERTICAL GROOVED CONTRACTION JOINTS, 1/2" IN DEPTH, SHALL BE TOOLED IN ALL EXPOSED FACES OF THE PARAPET AND IN ACCORDANCE WITH ARTICLE 825-10(B) OF THE STANDARD SPECIFICATIONS. A CONTRACTION JOINT SHALL BE LOCATED AT EACH THIRD POINT BETWEEN PARAPET EXPANSION JOINTS. ONLY ONE CONTRACTION JOINT IS REQUIRED AT MIDPOINT OF PARAPET SEGMENTS LESS THAN 20 FEET IN LENGTH AND NO CONTRACTION JOINTS ARE REQUIRED FOR THOSE SEGMENTS LESS THAN 10 FEET IN LENGTH.

THE DRAIN OPENING AT THE GUTTERLINE SHALL BE 5" X 4". THE HEIGHT OF THE BLOCKOUT IN THE CONCRETE PARAPET SHALL EXTEND FROM THE TOP OF THE BOX BEAM UNIT TO THE TOP OF THE DRAIN OPENING.

APPLY EPOXY PROTECTIVE COATING TO EXTERIOR FACE OF THE EXTERIOR BOX BEAM UNITS THAT REQUIRE DRAINS IN THE CONCRETE PARAPET.

BAR TYPE



BAR DIMENSIONS ARE OUT TO OUT.

BILL OF MATERIAL

PARAPETS AND END POSTS					
BAR	NO.	SIZE	TYPE	LENGTH	WEIGHT
* B10	128	#5	STR	24'-7"	3282
* B11	96	#5	STR	29'-7"	2962
* E1	8	#7	STR	2'-11"	48
* E2	8	#7	STR	3'-5"	56
* E3	8	#7	STR	3'-11"	64
* E4	8	#7	STR	4'-5"	72
* E5	8	#7	STR	4'-10"	79
* F1	8	#6	STR	1'-10"	22
* F2	8	#6	STR	3'-0"	36
* F3	8	#6	STR	3'-8"	44
* S6	776	#5	1	5'-7"	4519
* EPOXY COATED REINFORCING STEEL				LBS.	11,182
CLASS AA CONCRETE				CU.YDS.	96.7
1'-2" X 2'-11" CONCRETE PARAPET				LIN. FT.	761.00

PROJECT NO. B-4972  
 CABARRUS COUNTY  
 STATION: 22+55.00 -L-

STATE OF NORTH CAROLINA  
 DEPARTMENT OF TRANSPORTATION  
 RALEIGH  
 SUPERSTRUCTURE  
 PARAPET  
 &  
 END POST DETAILS



REVISIONS						SHEET NO.
NO.	BY:	DATE:	NO.	BY:	DATE:	TOTAL SHEETS
1			3			31
2			4			

DRAWN BY: J.P. MCCARTHA DATE: 7-29-14  
 CHECKED BY: M.E.GILES DATE: 12-17-14