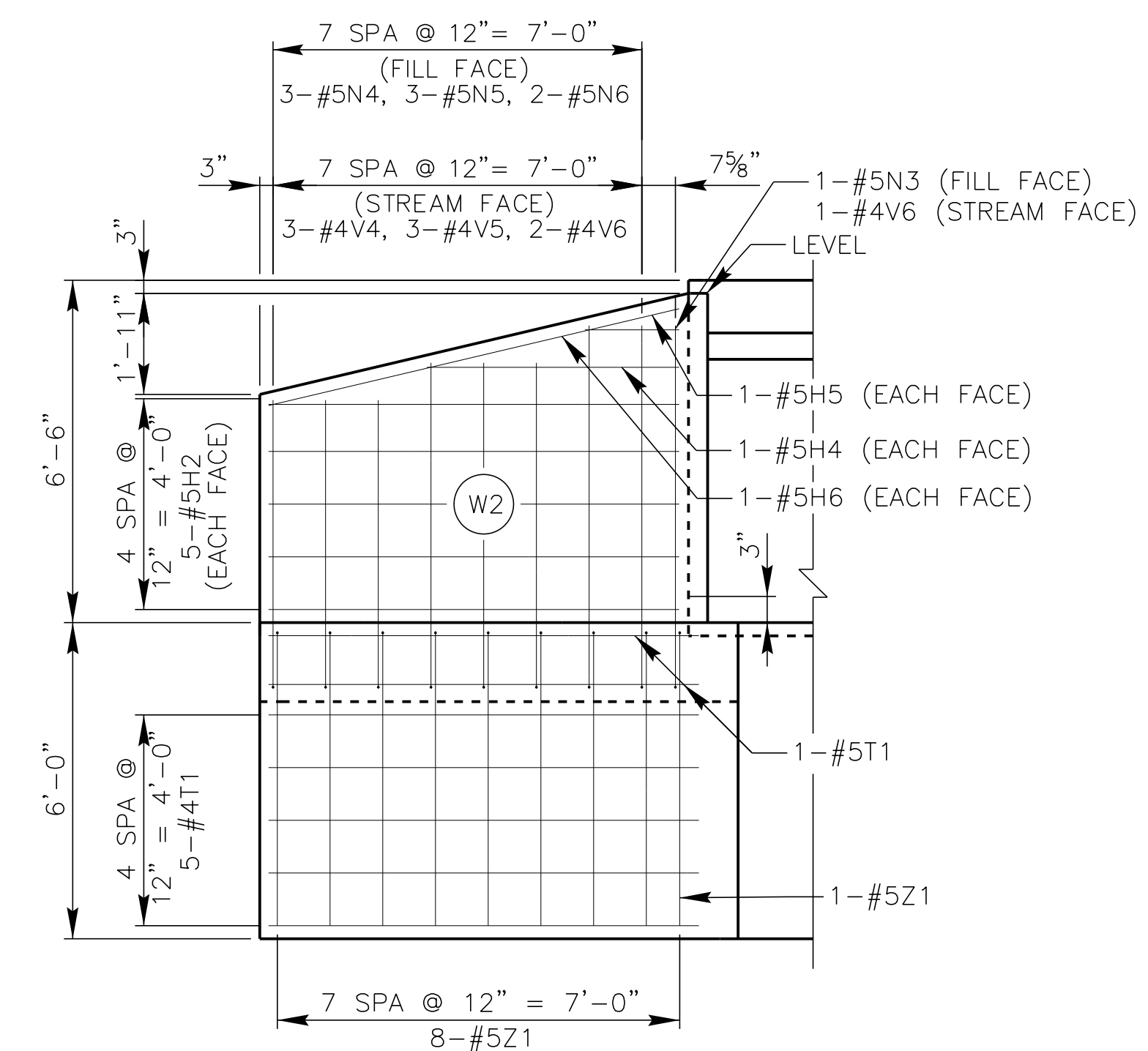
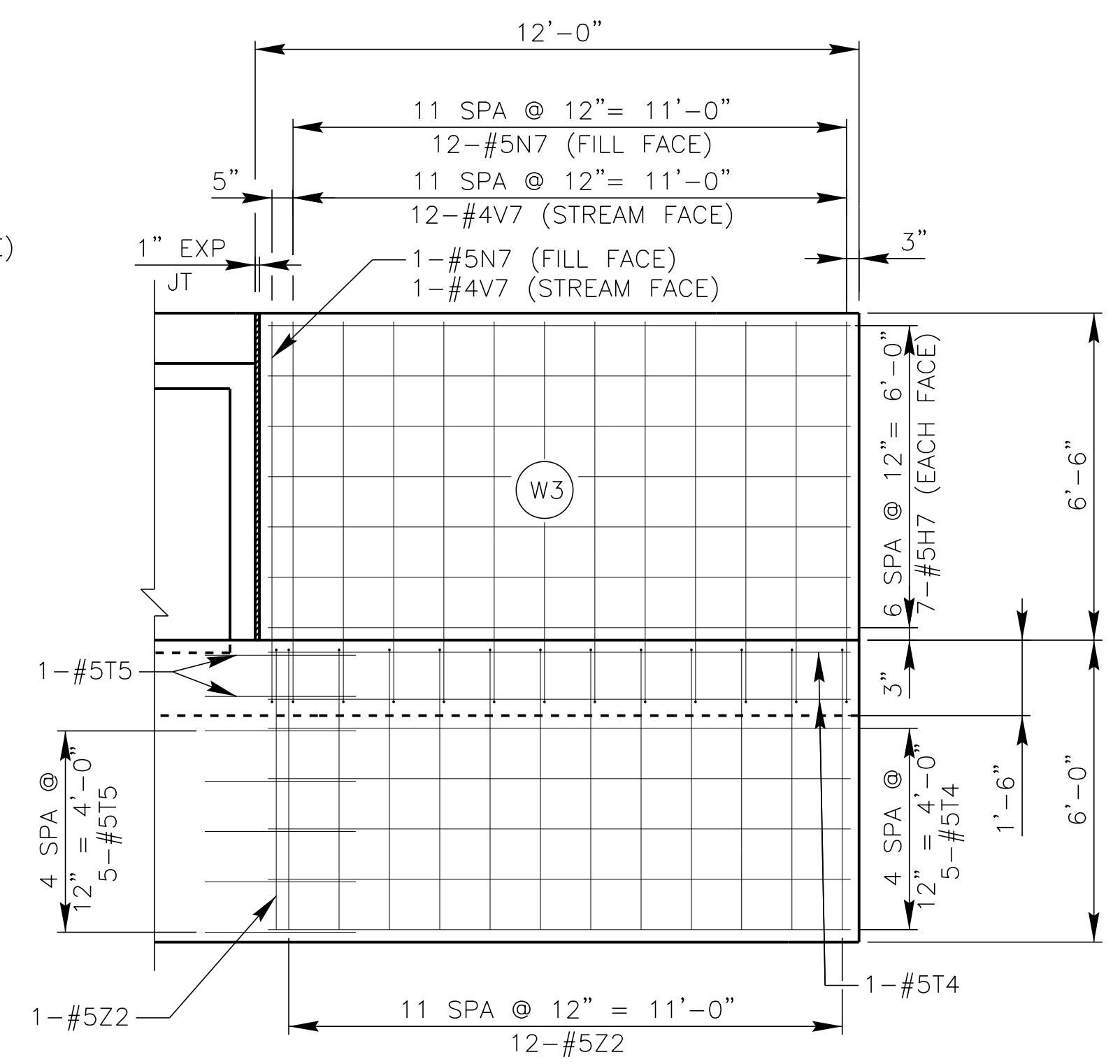


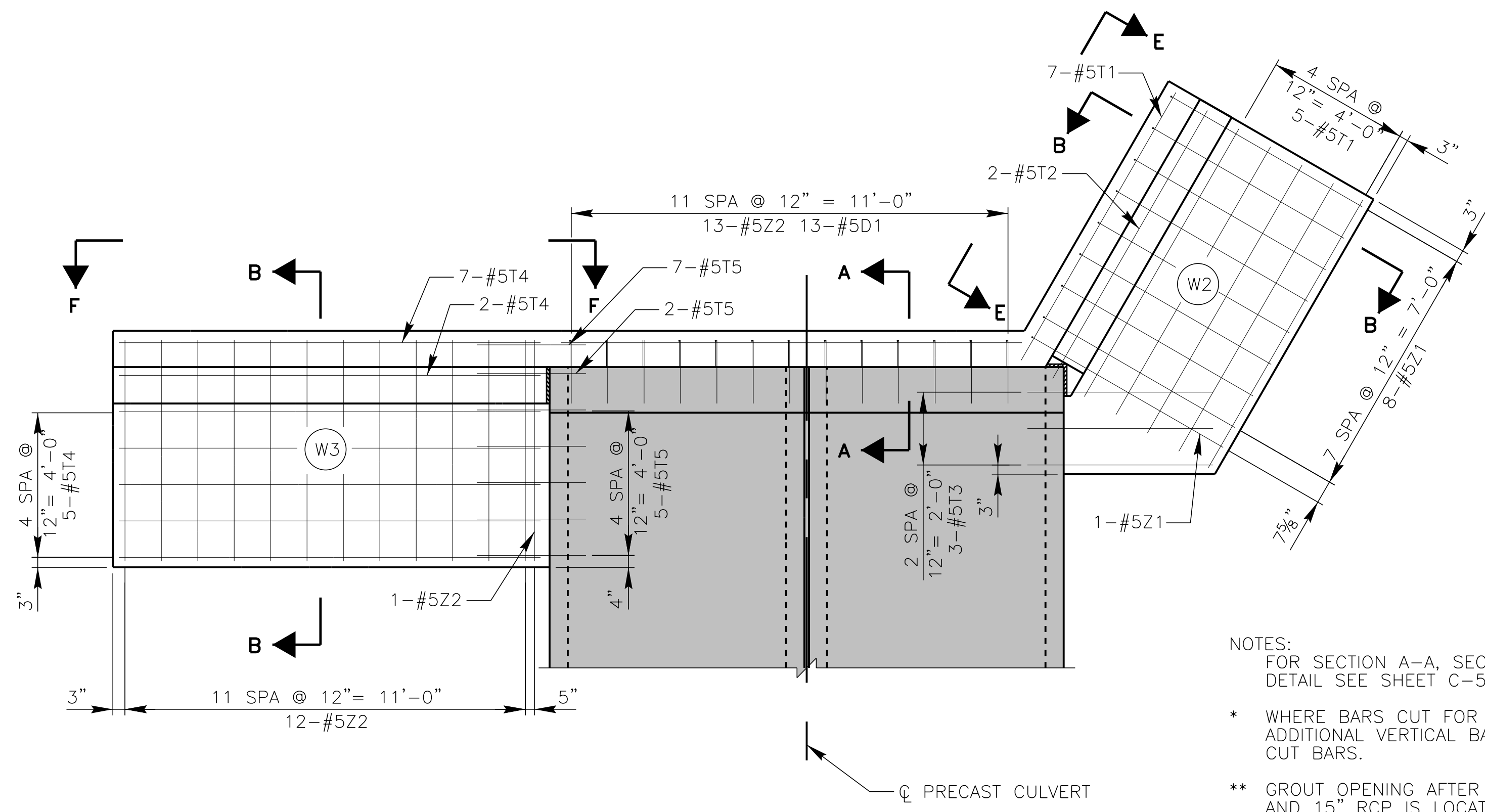
**HALF PLAN OF WING AND FOOTING  
OUTLET END**



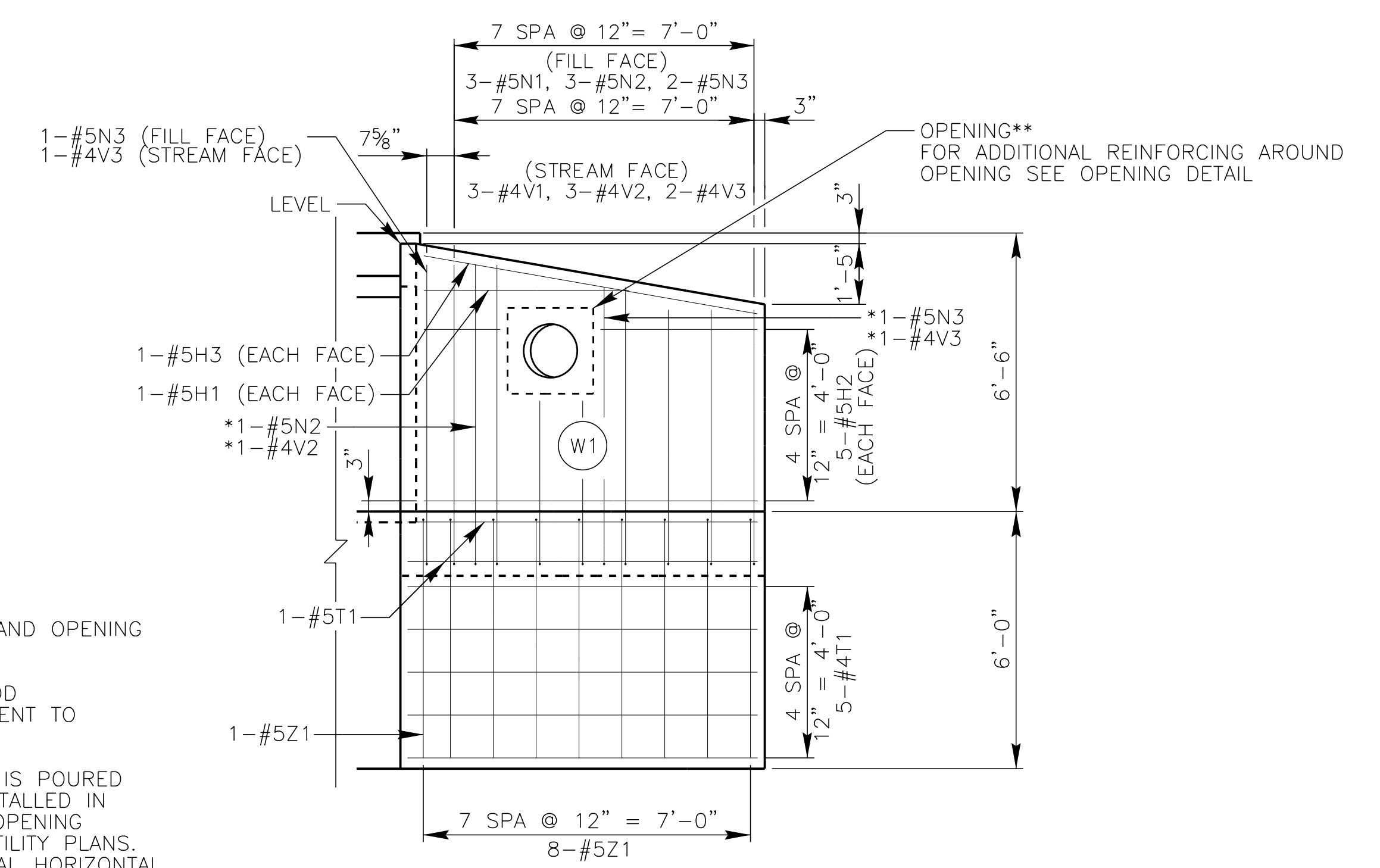
**ELEVATION E - E**



**ELEVATION F - F**



**PLAN OF WING AND FOOTING  
INLET END**



**ELEVATION D - D**

- NOTES:  
 FOR SECTION A-A, SECTION B-B, AND OPENING DETAIL SEE SHEET C-5.  
 \* WHERE BARS CUT FOR OPENING ADD ADDITIONAL VERTICAL BARS EQUIVALENT TO CUT BARS.  
 \*\* GROUT OPENING AFTER WING WALL IS POURED AND 15" RCP IS LOCATED AND INSTALLED IN ITS FINAL POSITION. FIELD VERIFY OPENING DIMENSIONS AND LOCATION WITH UTILITY PLANS. SEE OPENING DETAIL FOR ADDITIONAL HORIZONTAL AND DIAGONAL BARS REQUIRED AROUND OPENING.

k:\PDT\_Structures\Culvert\NC\011746003\_U-3609A-BerkeleyBlvdCulvert-Coldbarco\Cad\csp\C-4.dgn  
 3/25/2015  
 Copyright Kimley-Horn and Associates, Inc., 2015

3				
2				
1				
NO.:	REVISION:	DATE:	DRAWN BY:	CHECKED BY:

PREPARED IN THE OFFICE OF:

# Kimley»Horn

333 FAYETTEVILLE STREET, SUITE 600 - RALEIGH, NC 27601-1772  
 PHONE: (919) 835-1494

**WING WALL DETAILS  
(SHEET 1 OF 2)**  
**DOUBLE 6' x 5' PRECAST  
CULVERT AT STA 33+65.00**

DocuSigned by:  
**Cecil Naron**  
 3/25/2015

SCALE:  
SCALE AS NOTED

PROJECT:  
**U-3609A  
BERKELEY BLVD CULVERT**

JOB NUMBER: 011746003      SHEET NUMBER: **C-4**