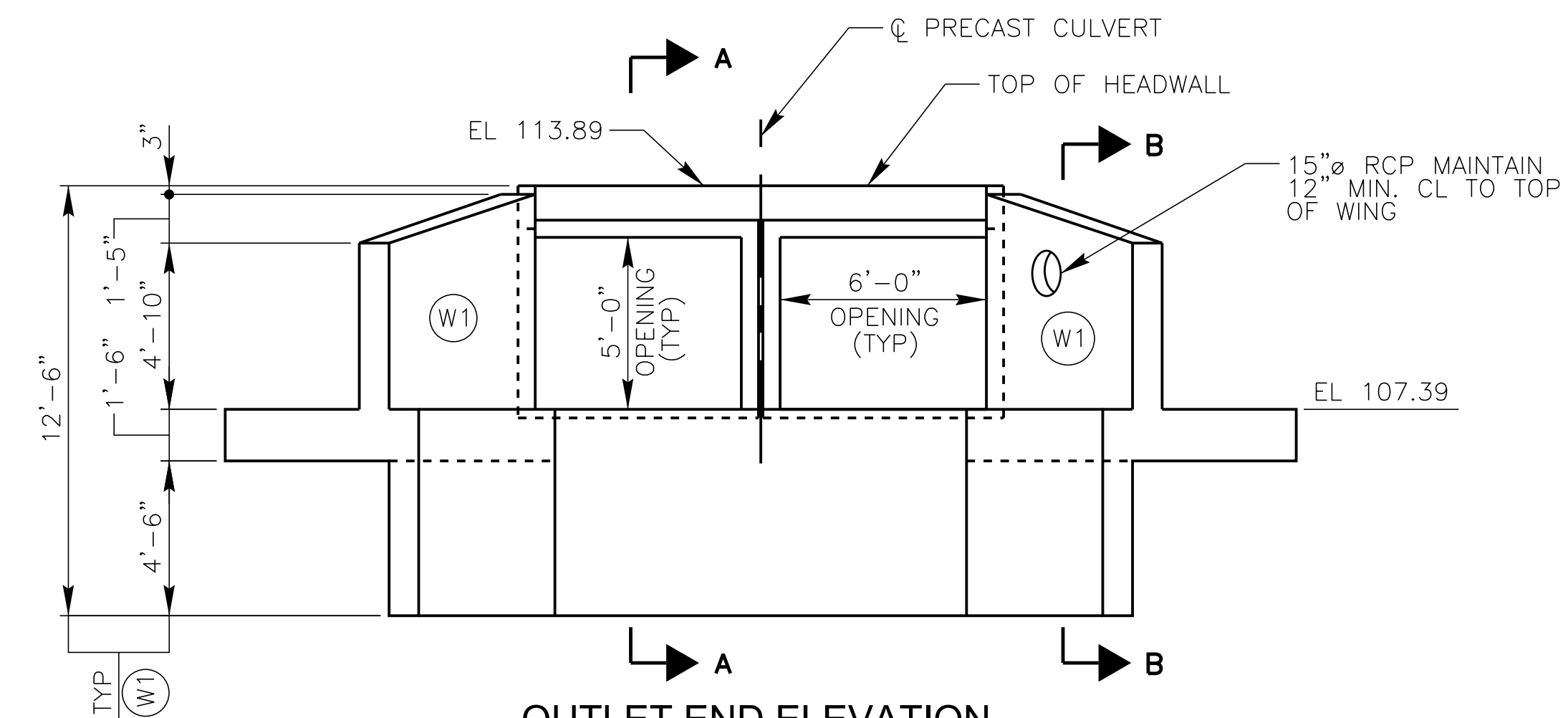
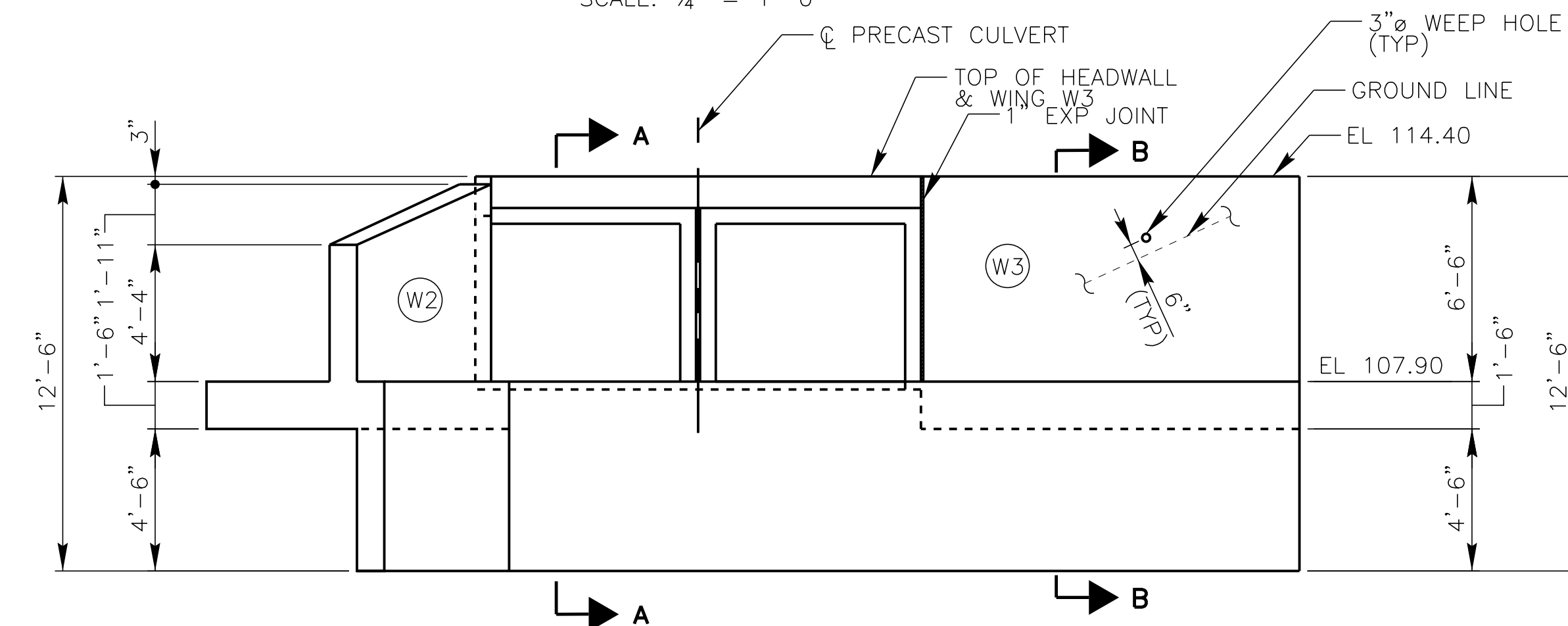


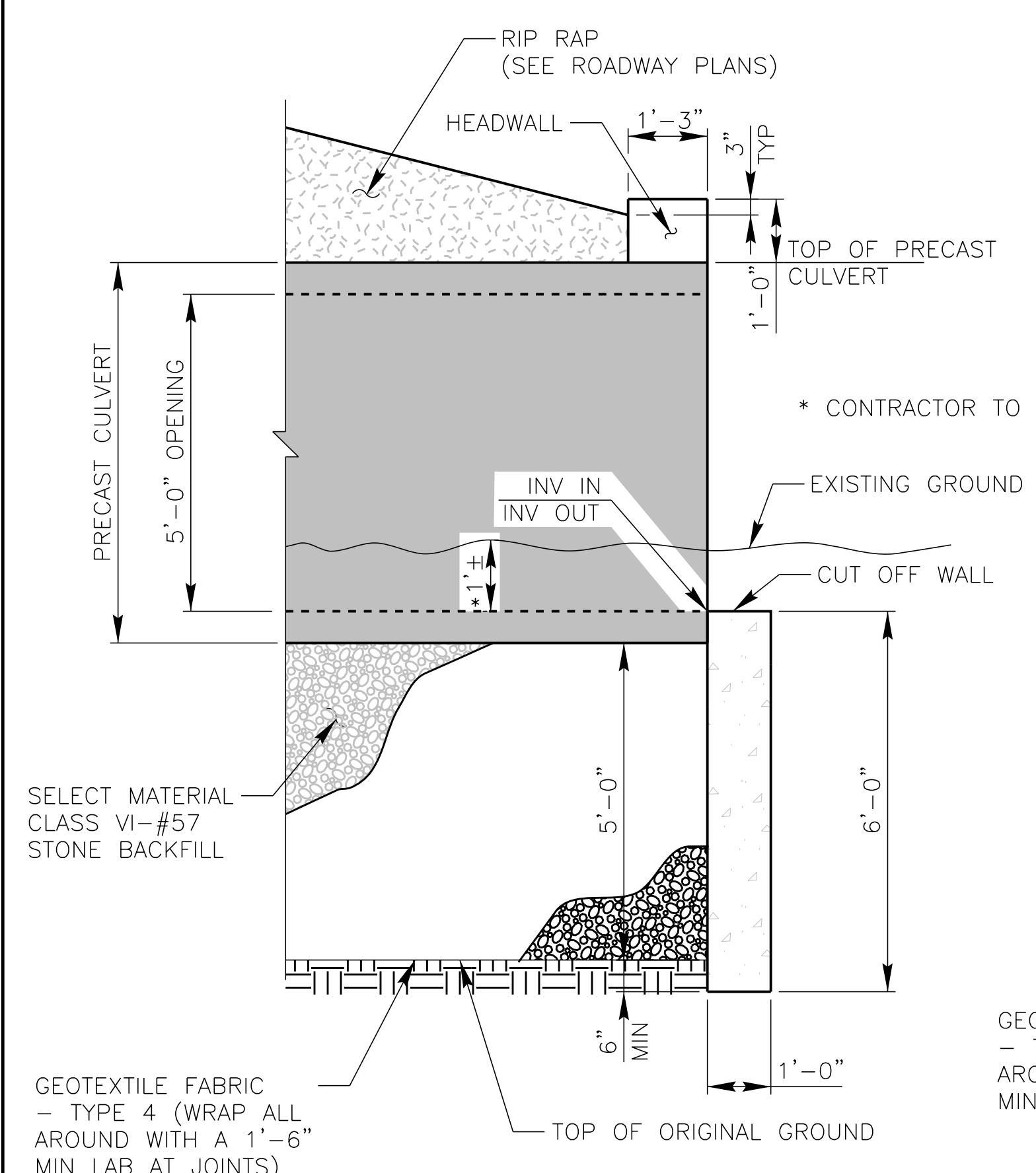
**PLAN OF HEADWALL / WINGWALLS W2 & W3**  
 INLET END SHOWN, OUTLET SIMILAR TO (W2) SIDE  
 SCALE: 1/4" = 1'-0"



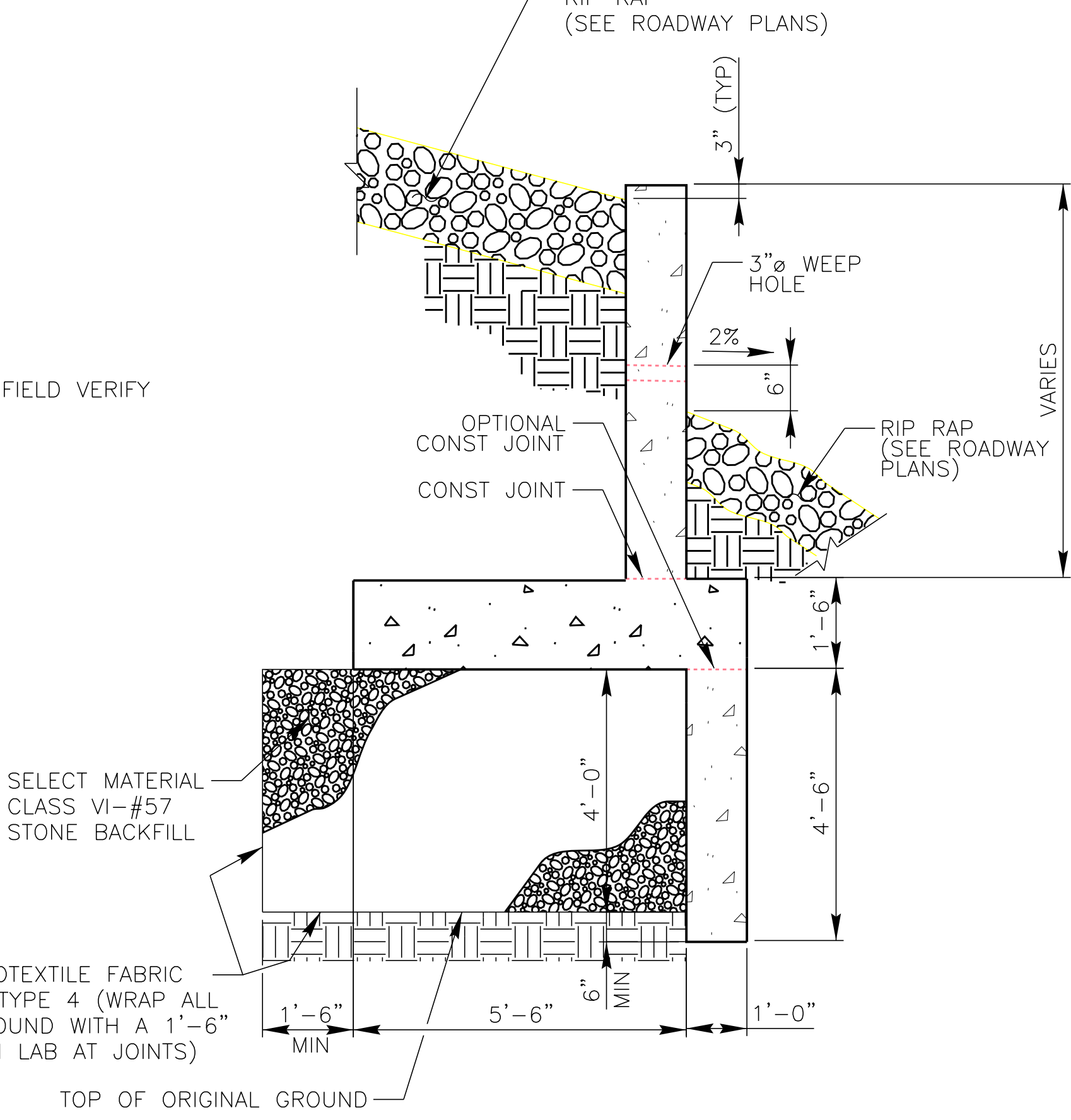
**OUTLET END ELEVATION**  
 SCALE: 1/4" = 1'-0"



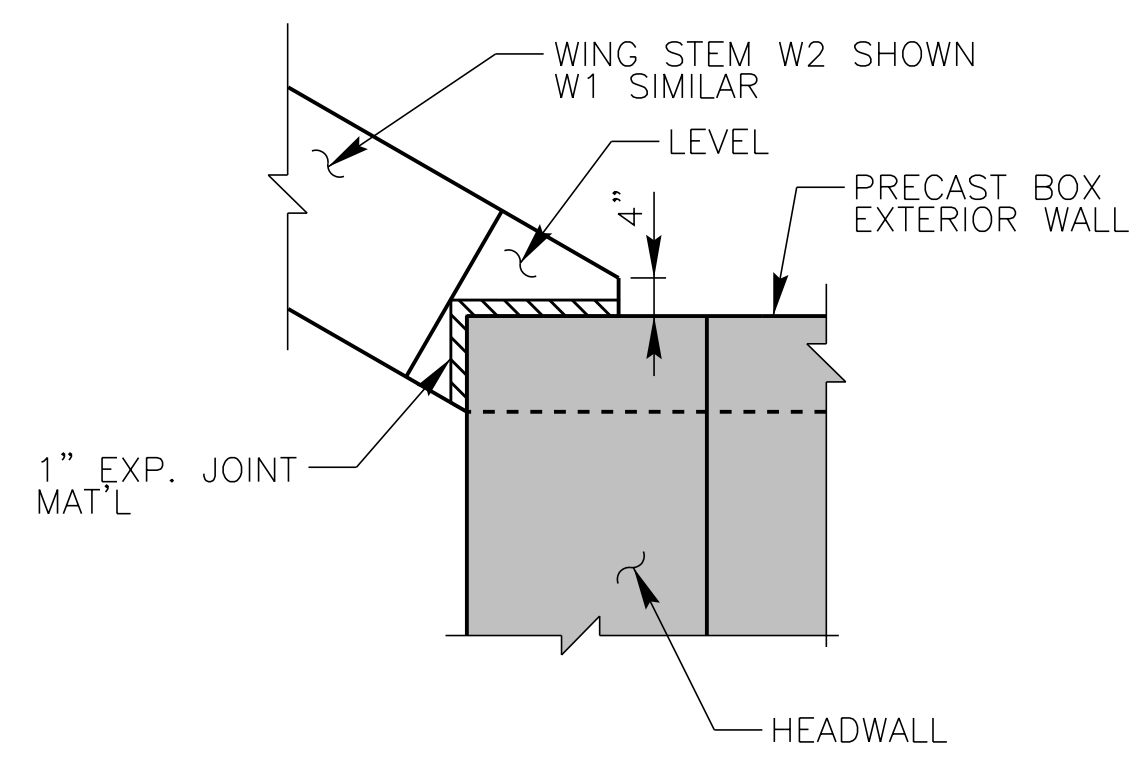
**INLET END ELEVATION**  
 SCALE: 1/4" = 1'-0"



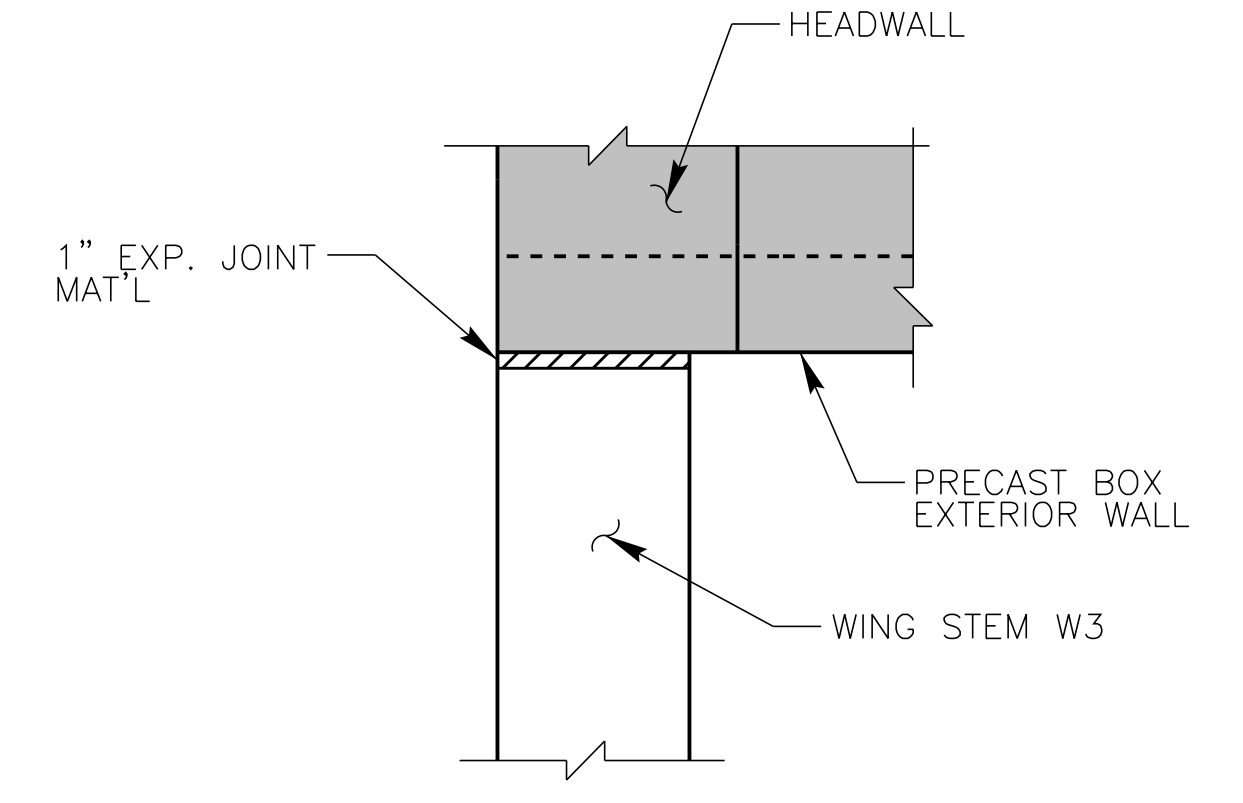
**SECTION A - A**  
 SCALE: 1/2" = 1'-0"



**SECTION B - B**  
 SCALE: 1/2" = 1'-0"



**DETAIL A**  
 SCALE: 1" = 1'-0"



**DETAIL B**  
 SCALE: 1" = 1'-0"

k:\PDT\_Structures\Culvert\NC\011746003\_U-3609A-BerkeleyBlvdCulvert-Cad\Drawings\C-3.dgn

|      |           |       |           |             |
|------|-----------|-------|-----------|-------------|
| 3    |           |       |           |             |
| 2    |           |       |           |             |
| 1    |           |       |           |             |
| NO.: | REVISION: | DATE: | DRAWN BY: | CHECKED BY: |

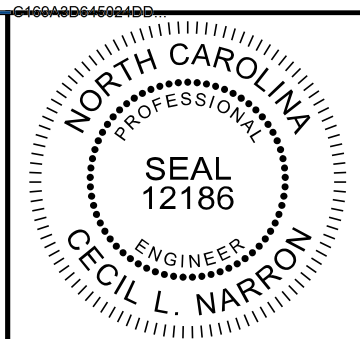
This document, together with the concepts and designs presented herein, as an instrument of services, is intended only for the specific purpose and client for which it was prepared. Reuse of and improper reliance on this document without written authorization and adoption by Kimley-Horn and Associates, Inc. shall be without liability to Kimley-Horn and Associates, Inc. Copyright Kimley-Horn and Associates, Inc., 2015

PREPARED IN THE OFFICE OF:

# Kimley » Horn

333 FAYETTEVILLE STREET, SUITE 600 - RALEIGH, NC 27601-1772  
 PHONE: (919) 835-1494

WING WALL LAYOUT  
 DOUBLE 6' x 5' PRECAST  
 CULVERT AT STA 33+65.00



SCALE:  
 SCALE AS NOTED

|               |                                  |
|---------------|----------------------------------|
| PROJECT:      | U-3609A<br>BERKELEY BLVD CULVERT |
| JOB NUMBER:   | 011746003                        |
| SHEET NUMBER: | C-3                              |