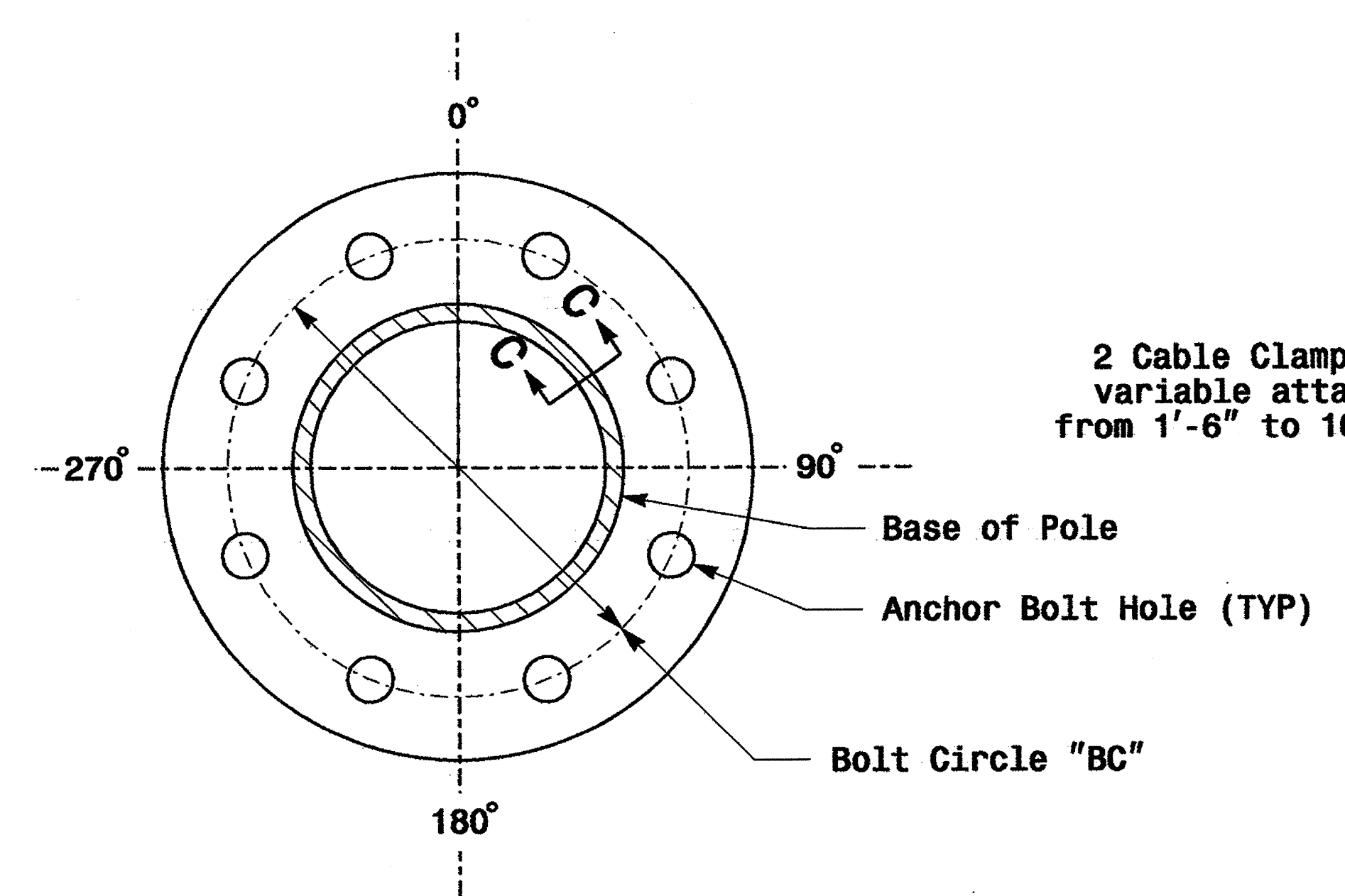
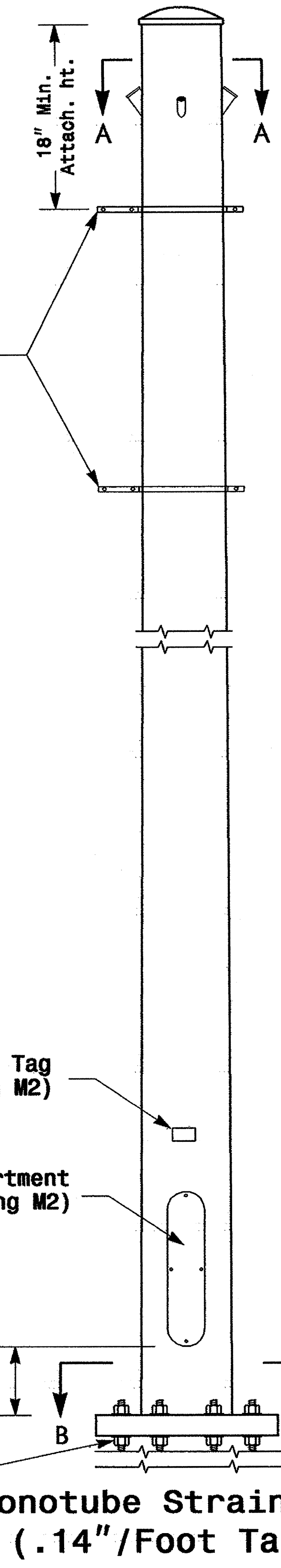


Cable Entrances at Top of Pole

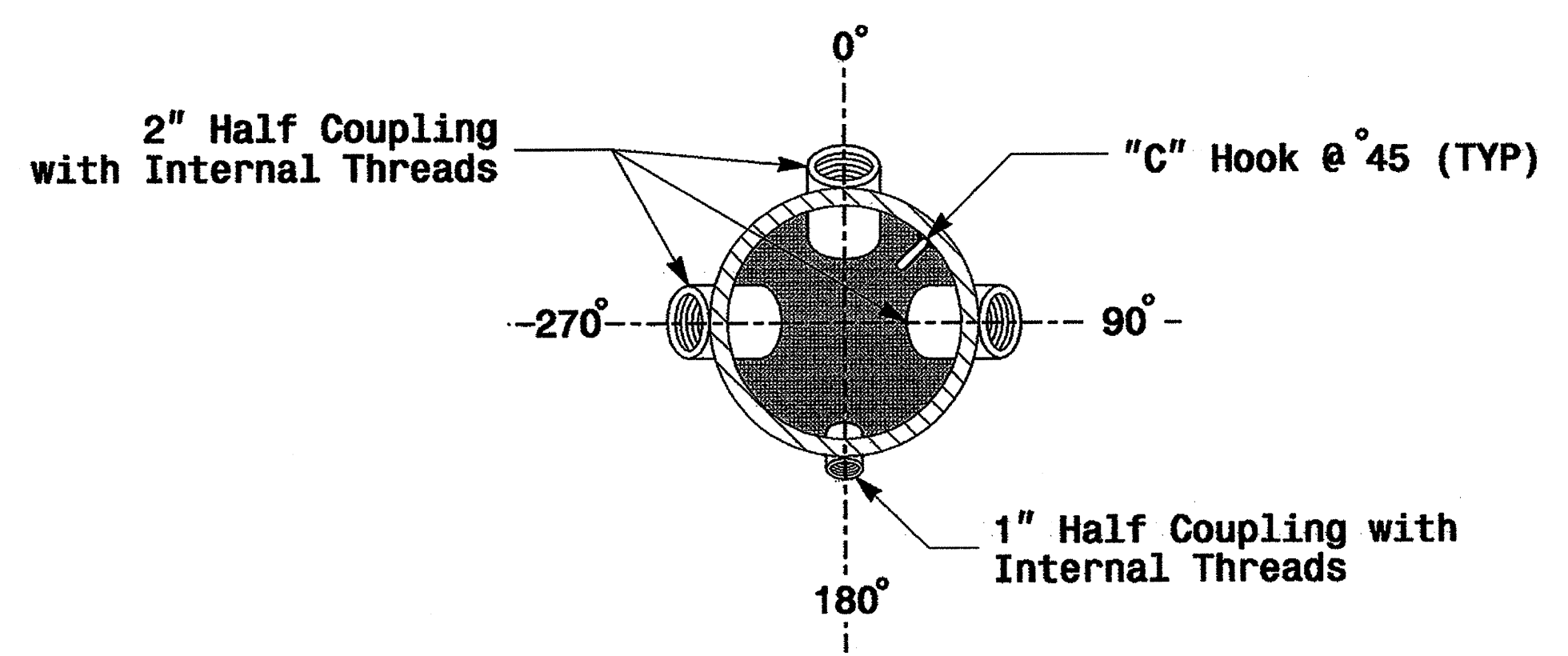


**Section B-B
Pole Base Plate**
(See drawing M2)

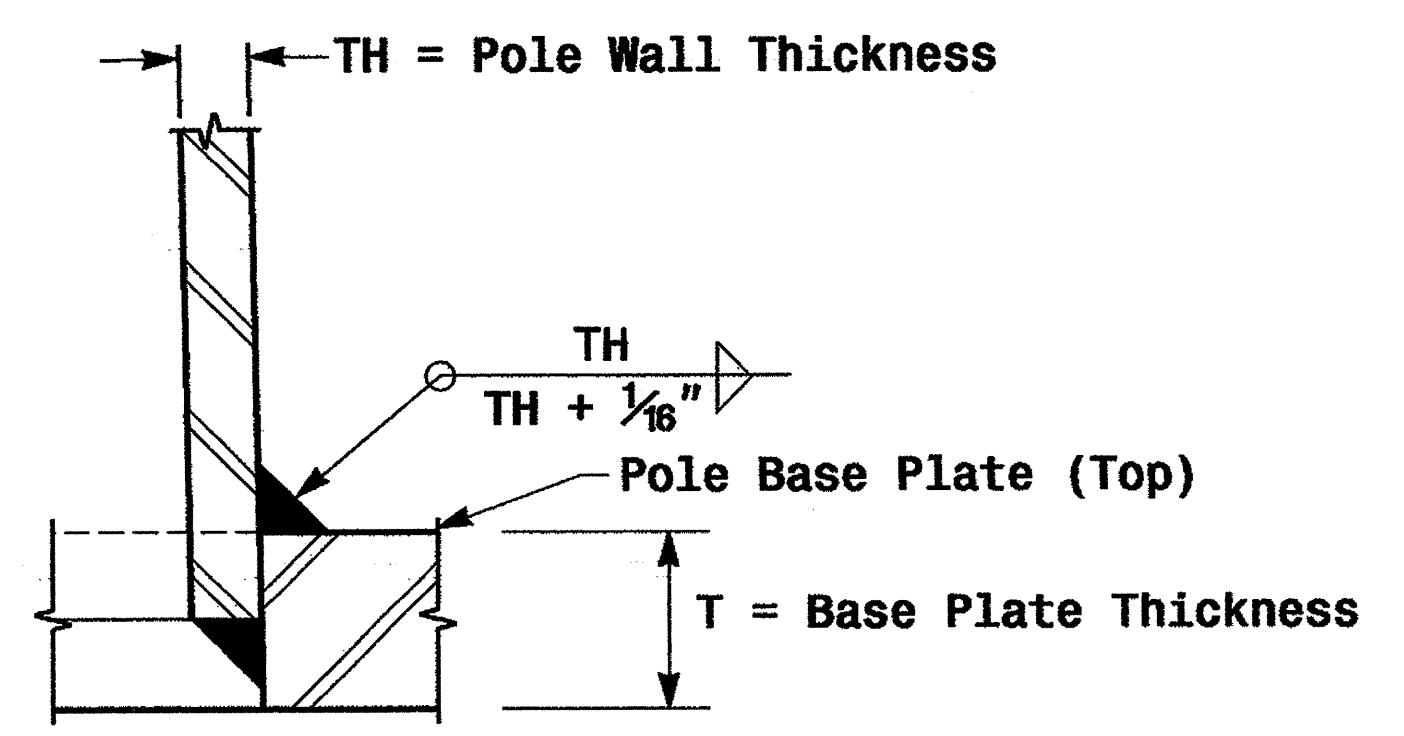
2 Cable Clamps designed for variable attachment heights from 1'-6" to 10' below the top of the pole.



**Monotube Strain Pole
(.14"/Foot Taper)**



**Radial Orientation for Factory Installed
Accessories at Top of Pole**



Socket Connection Weld Detail

	Typical Fabrication Details For Strain Poles		
	PLAN DATE: May 2005	REVIEWED BY: C.F. Andrews	
SCALE: 0 NA NONE	REVISIONS:	IMIT. DATE:	SIGNATURE: <i>D. Sarker</i> 9.2.2005 DATE:
222 N. McDowell St., Raleigh, NC 27603			SIG. INVENTORY NO.

01-SEP-2005 14:07 C:\P\2005\14107\14107\mfg\pdr\cupse2004\mex1 pole strander.dwg pol.alexander