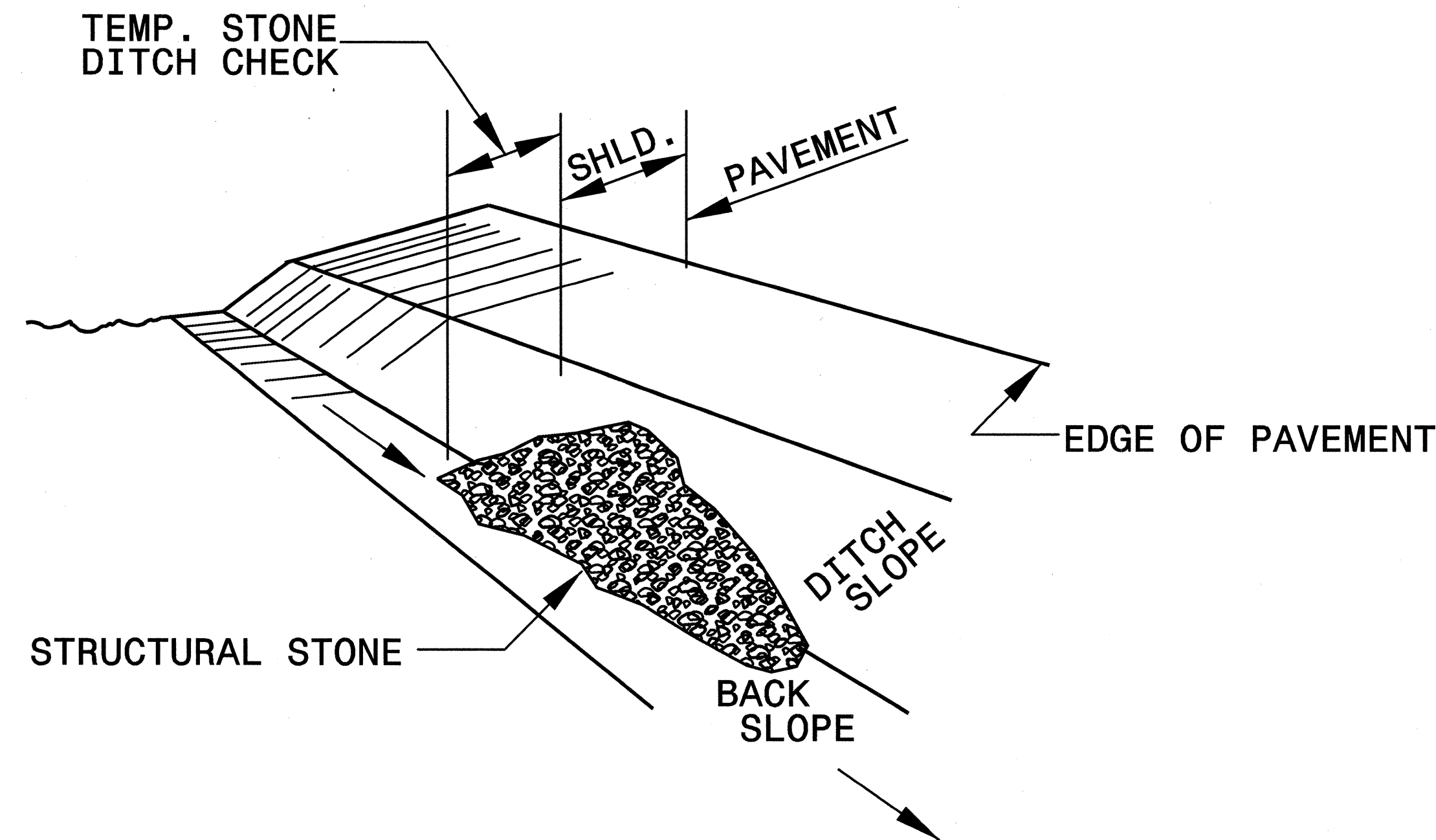


PROJECT REFERENCE NO. U-3609A	SHEET NO. EC-2
RW SHEET NO.	
ROADWAY DESIGN ENGINEER	HYDRAULICS ENGINEER
	1-18-13

# TEMPORARY ROCK SILT CHECK TYPE 'B' DETAIL

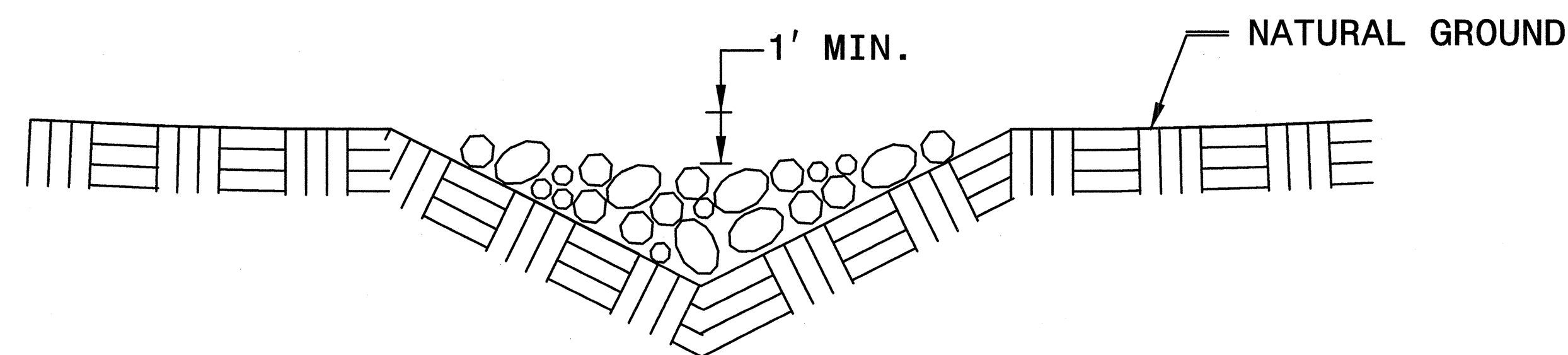


**ISOMETRIC VIEW**

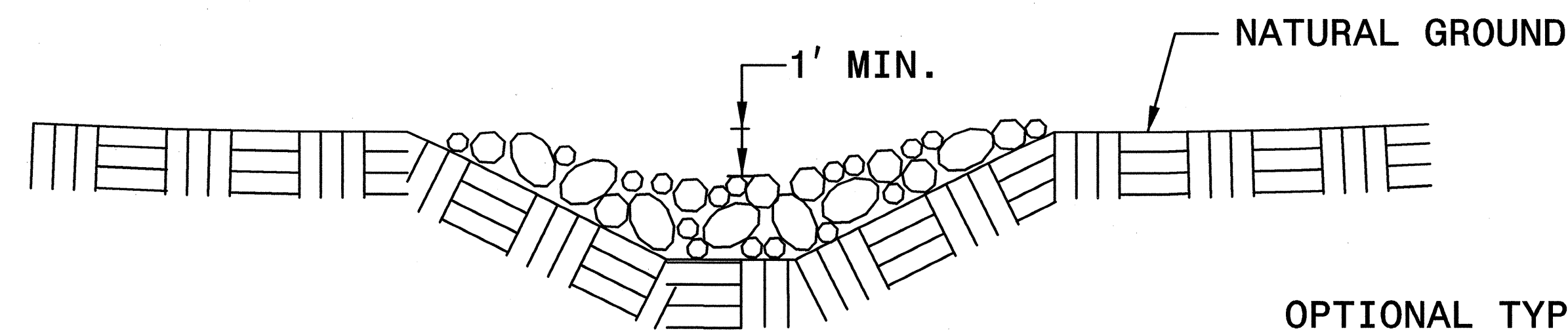
**NOTES:**

USE CLASS 'B' EROSION CONTROL STONE FOR STRUCTURAL STONE.

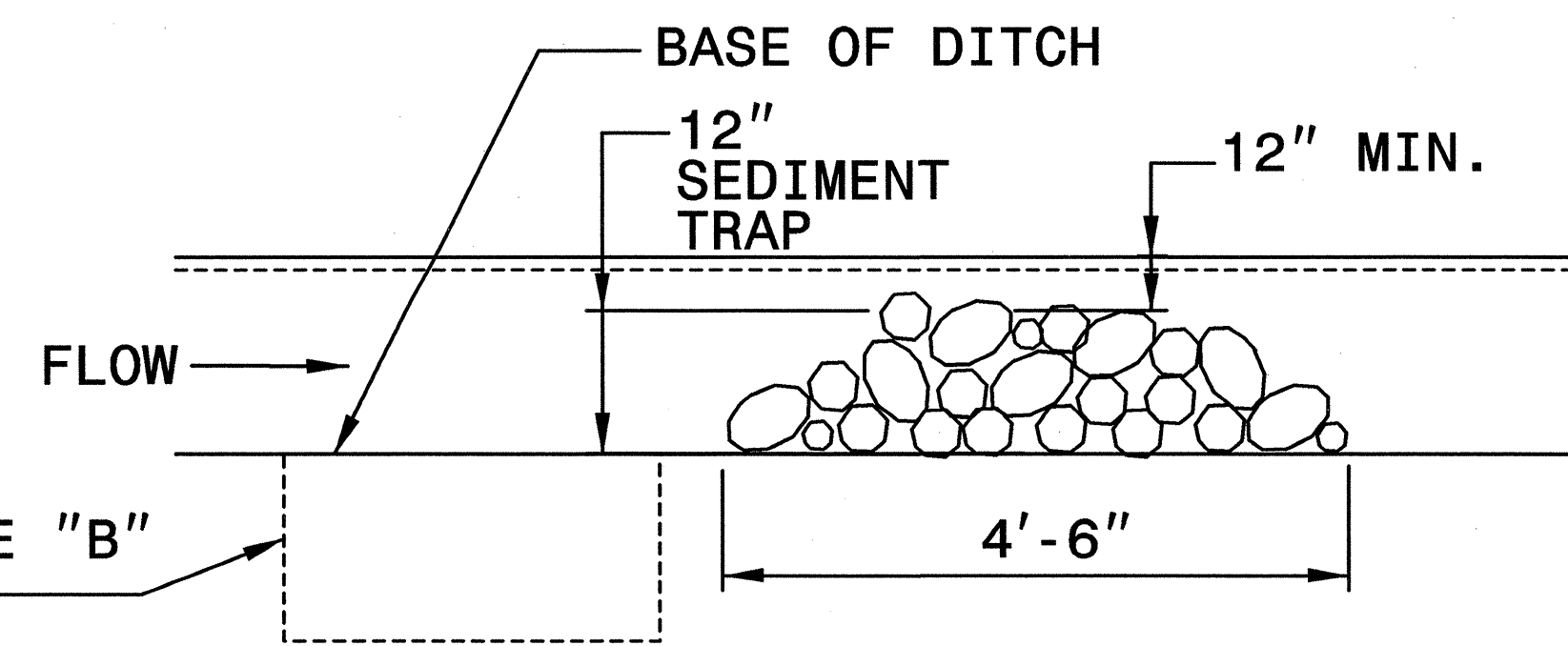
THE ENGINEER MAY DIRECT THE OPTION OF CLASS "A" STONE FOR SITES HAVING LESS THAN ONE (1) ACRE DRAINAGE AREA AND A DITCH GRADE LESS THAN 3%.



**CROSS SECTION  
VEE DITCH**



**CROSS SECTION  
TRAPEZOIDAL DITCH**



**ELEVATION VIEW**