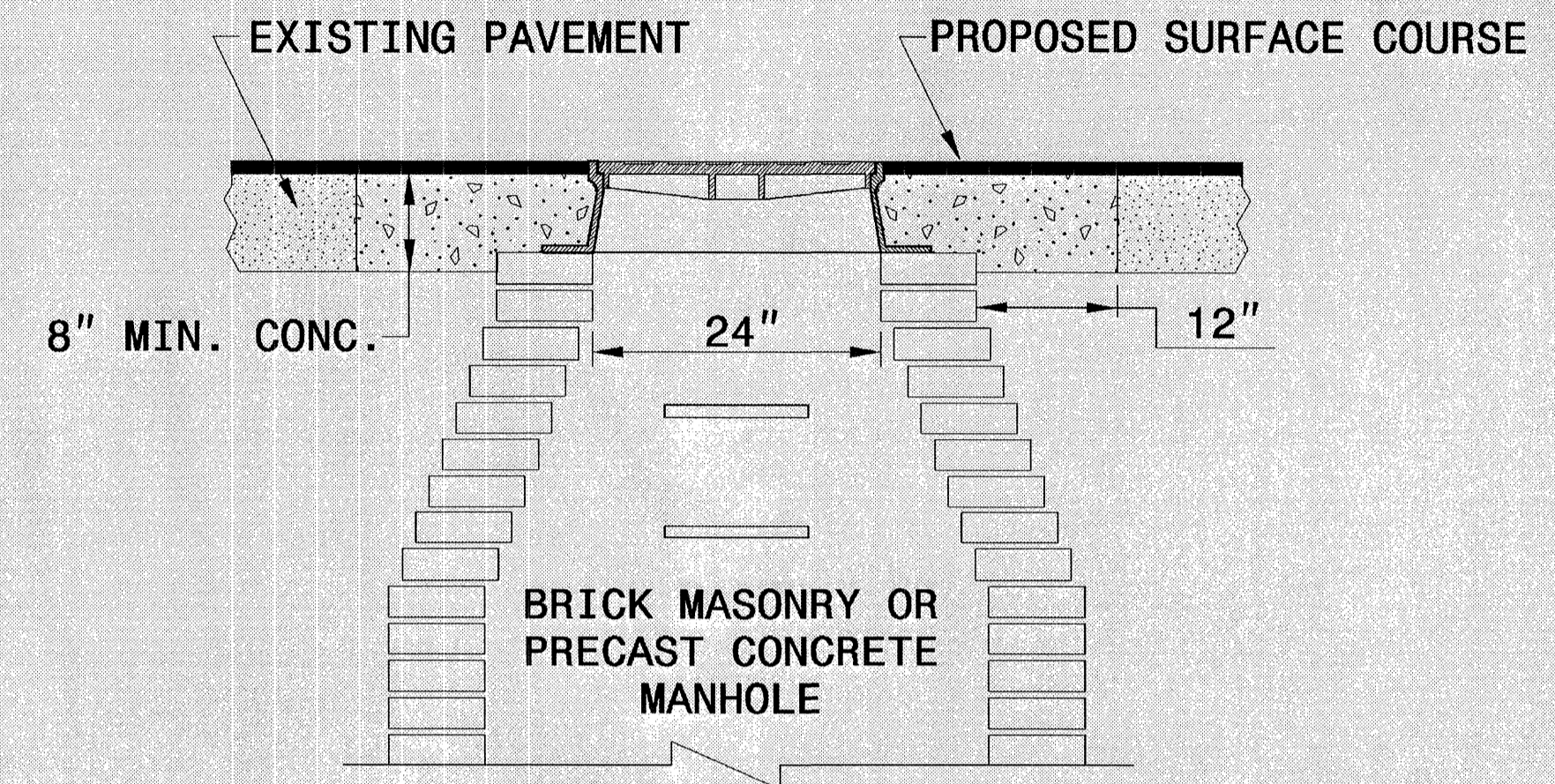


STATE OF NORTH CAROLINA
DEPT. OF TRANSPORTATION
DIVISION OF HIGHWAYS
RALEIGH, N.C.

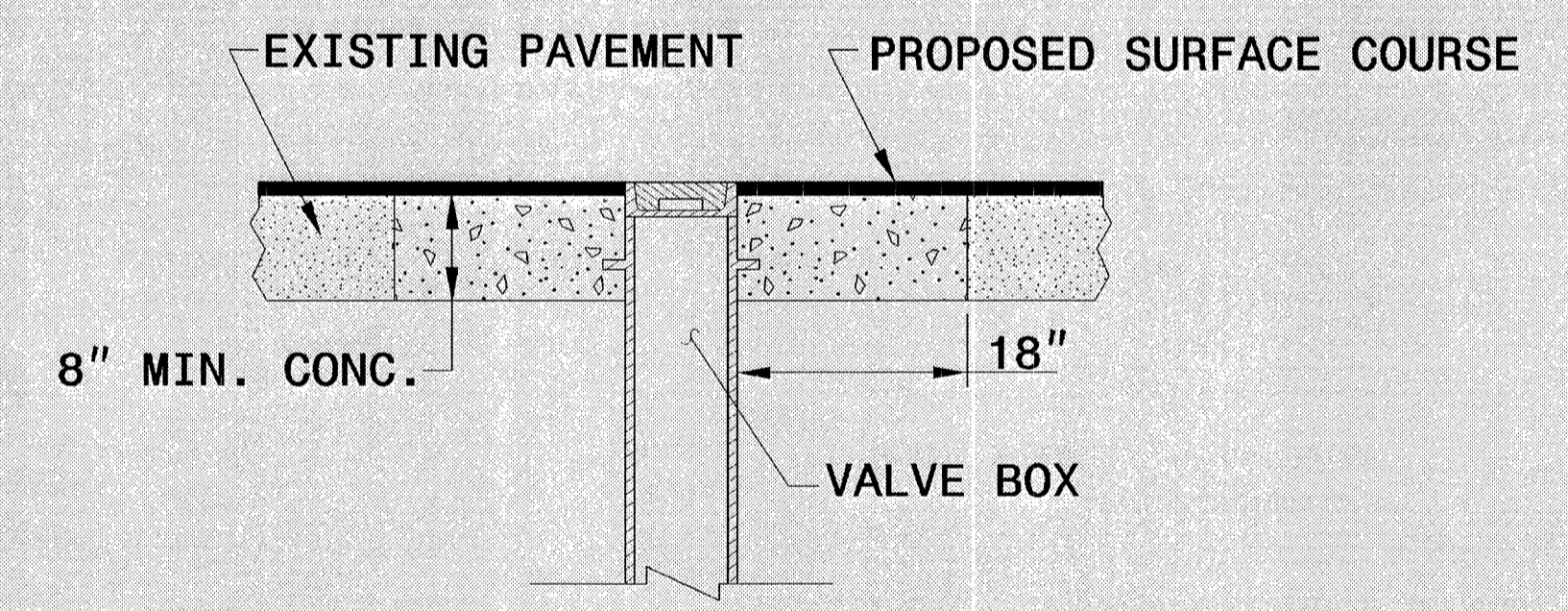
ENGLISH DETAIL DRAWING FOR
MANHOLE AND VALVE BOX ADJUSTMENTS
SHEET 1 OF 1
840D55

GENERAL NOTES:

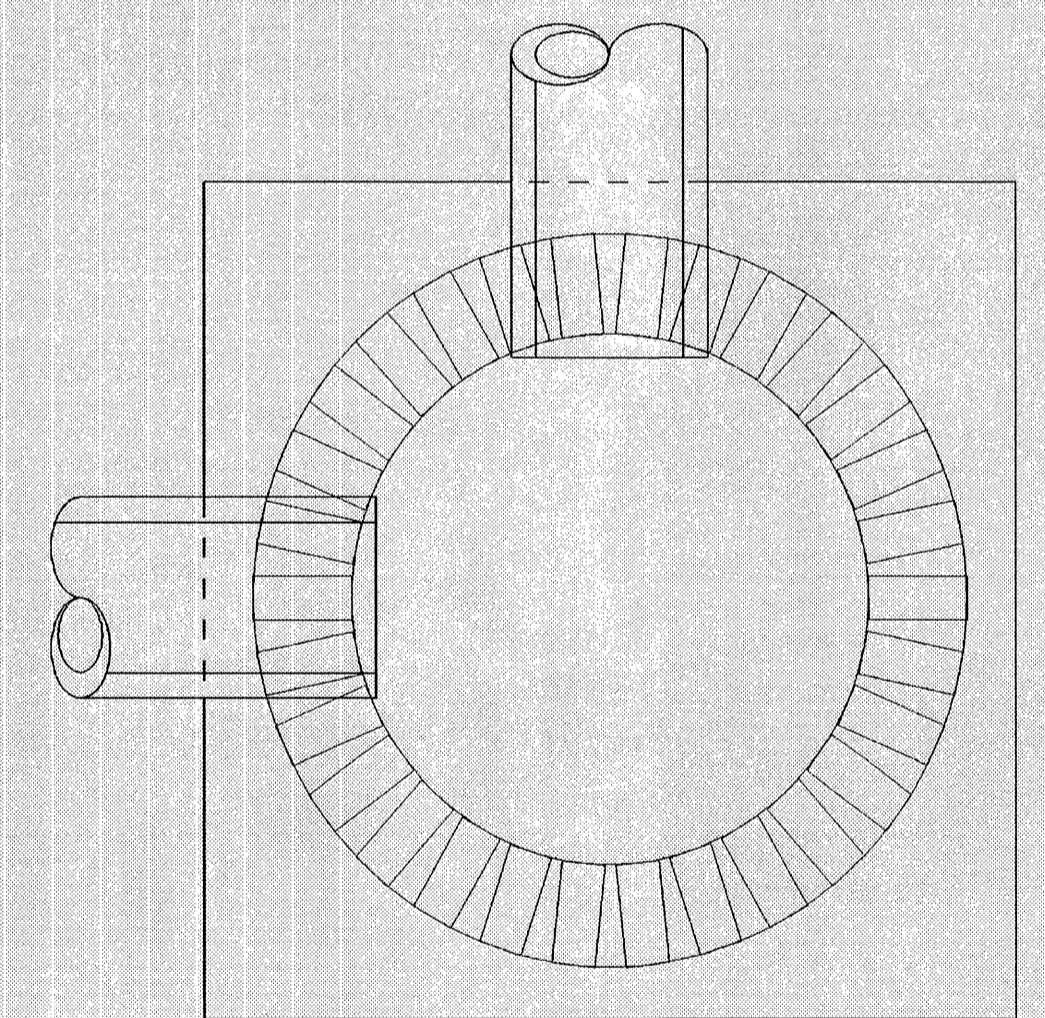
1. USE RAPID SET GROUT, MORTAR, OR CONCRETE WITH A MINIMUM COMPRESSIVE STRENGTH OF 4000 PSI.
2. REMOVE ALL FAULTY EXISTING BRICKWORK AND REPLACE WITH NEW BRICK MASONRY.
3. SHEER CUT EXCAVATION FOR THE ADJUSTMENT ON ALL SIDES.
4. FILL AREA BELOW 8" DEPTH WITH 78M OR NO. 57 CLEAN STONE.
5. MIX MORTAR TO NCDOT SPECIFICATIONS.
6. MORTAR JOINTS 1/2" +/- 1/8"



MANHOLE CONCRETE ENCASEMENT



VALVE BOX CONCRETE ENCASEMENT



ELEVATION VIEW

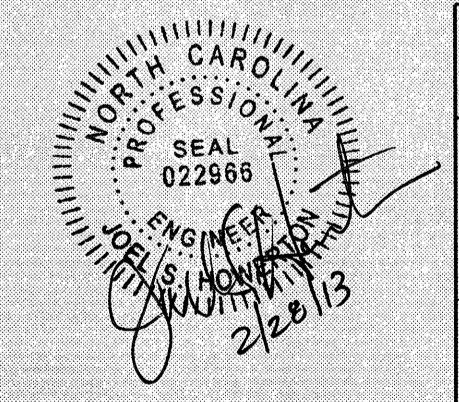
PLACE BRICK ACCORDING TO ELEVATION VIEW

STATE OF NORTH CAROLINA
DEPT. OF TRANSPORTATION
DIVISION OF HIGHWAYS
RALEIGH, N.C.

ENGLISH DETAIL DRAWING FOR
MANHOLE AND VALVE BOX ADJUSTMENTS
SHEET 1 OF 1
840D55

K:\RAL_Roadway\011746003 (Berkeley Blvd)\Plan\011746003_dtl12.dgn

01-DEC-2005 14:25
C:\Users\jward\My Documents\Standards\840D55.dgn
jward



**PROJECT SERVICES UNIT
STANDARDS AND SPECIAL DESIGN**
Office 919-250-4128 FAX 919-250-4119

SEE PLATE FOR TITLE

ORIGINAL BY: _____ DATE: _____
 MODIFIED BY: E.E. WARD DATE: _____
 CHECKED BY: _____ DATE: _____
 FILE SPEC.: /usr/details/stand/840d55.dgn

2/26/2013

REV. No.	REVISION	DATE	DRAWN BY	CHECKED BY

This document, together with the concepts and designs presented herein, as an instrument of service, is intended only for the specific purpose and client for which it was prepared. Reuse of and improper reliance on this document without written authorization and adoption by Kimley-Horn and Associates, Inc. shall be without liability to Kimley-Horn and Associates, Inc.
Copyright Kimley-Horn and Associates, Inc., 2010

PREPARED IN THE OFFICE OF:

**Kimley-Horn
and Associates, Inc.**

P.O. BOX 33068 - RALEIGH, NORTH CAROLINA 27636-3068
 PHONE: (919) 677-2000 FAX: (919) 677-2050 PE NO. F-0102

**MANHOLE AND
VALVE ADJUSTMENTS
DETAIL**

PROJECT:
BERKELEY BOULEVARD WIDENING

JOB NUMBER: 011746003 SHEET NUMBER: 2-C