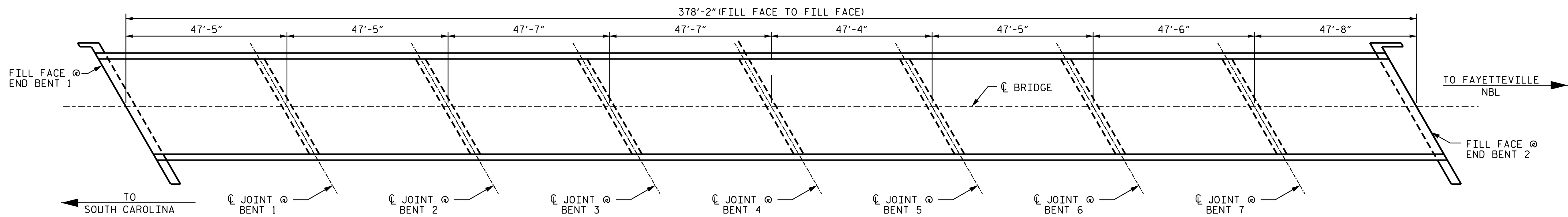


SECTION PROFILE ALONG CL MEDIAN

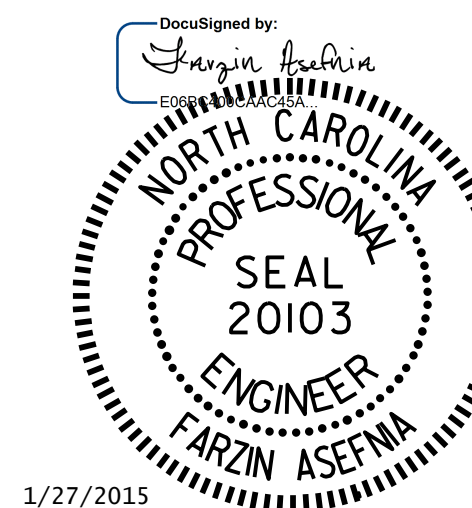


PLAN OF SPANS

PROJECT NO. I-5308
ROBESON COUNTY
 BRIDGE NO: 147
 SHEET 1 OF 2

STATE OF NORTH CAROLINA
 DEPARTMENT OF TRANSPORTATION
 RALEIGH

GENERAL DRAWING
 BRIDGE #147 ON I95
 SOUTHBOUND LANE
 OVER LUMBER RIVER



DRAWN BY : M. WELDON DATE : 11/2014
 CHECKED BY : F. ASEFNIA DATE : 11/2014

REVISIONS						SHEET NO.
NO.	BY:	DATE:	NO.	BY:	DATE:	S-20
1			3			TOTAL SHEETS
2			4			23