
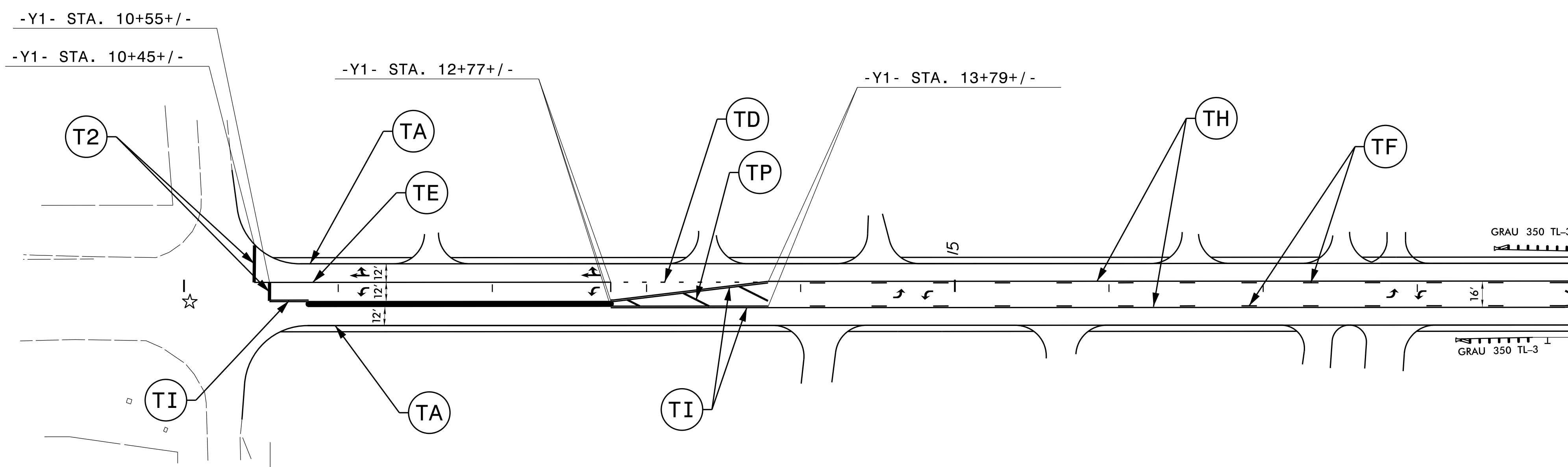
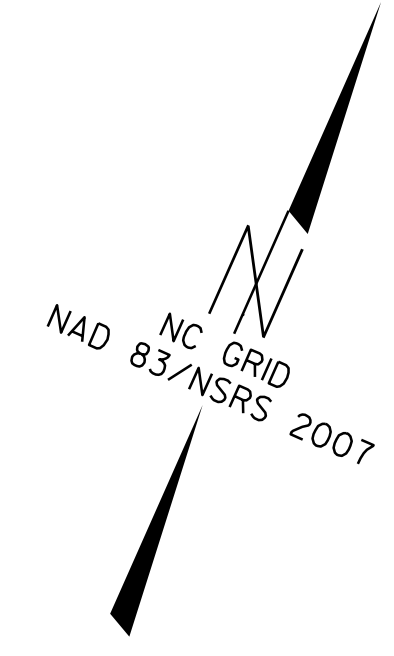


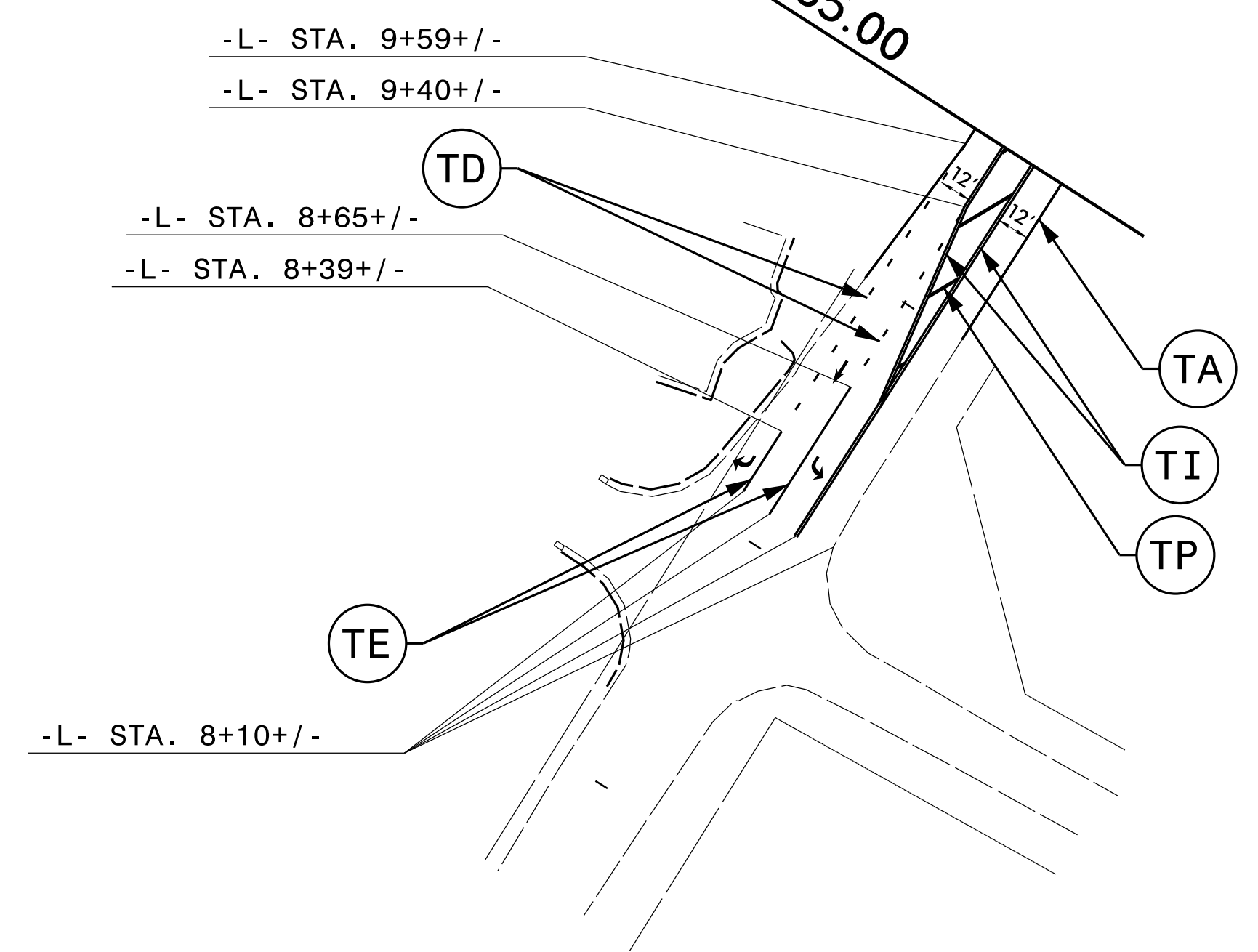
TIP NO. U-5305	SHEET NO. PMP-3
Designed by: William J. Hamilton A058007048484	
APPROVED: 3/26/2015	
DATE:	
SEAL	

SEE SHEET 2 -Y1- STA 19+00.00



SEE SHEET 2 -L- STA 9+65.00



SYMBOL LEGEND	
	UA LEFT TURN ARROW
	UB RIGHT ARROW
	UC THROUGH ARROW
	UE COMBO. RIGHT/ STRAIGHT ARROW

Prepared in the offices of:



RAMEY KEMP ASSOCIATES, INC.
TRANSPORTATION ENGINEERS
888 Farrington Place, Suite 100
Raleigh, North Carolina 27609
919-872-2116 Tel. 919-878-6416 Fax.
www.rameykemp.com

PAVEMENT MARKING DETAIL