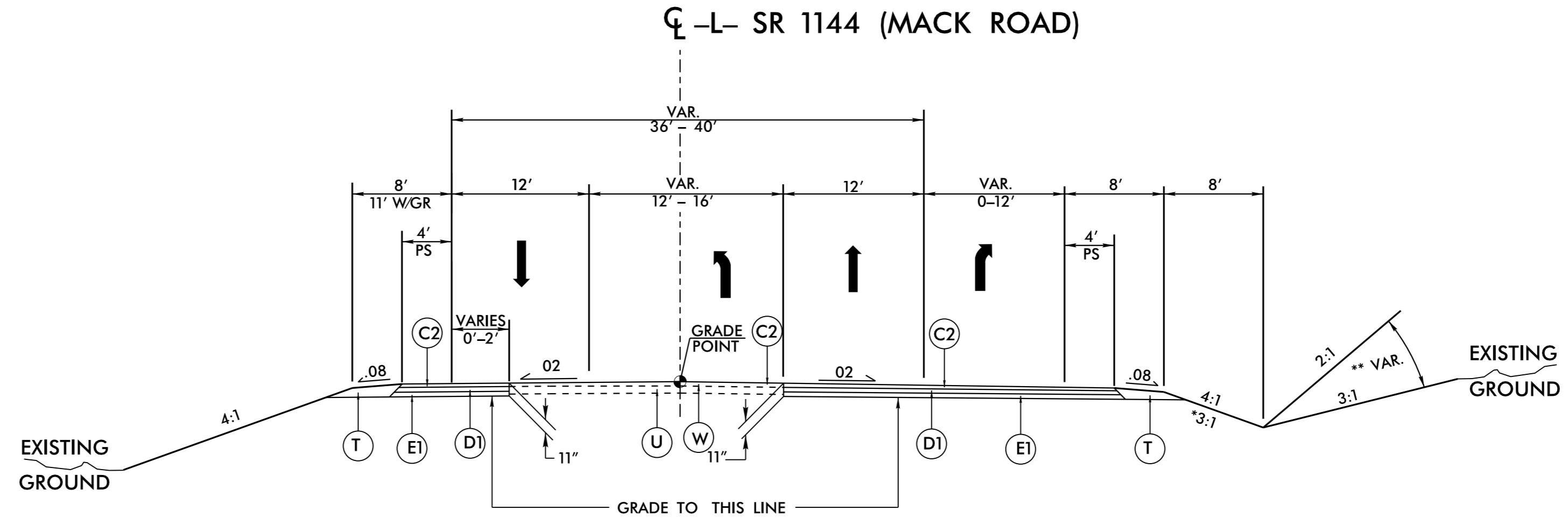
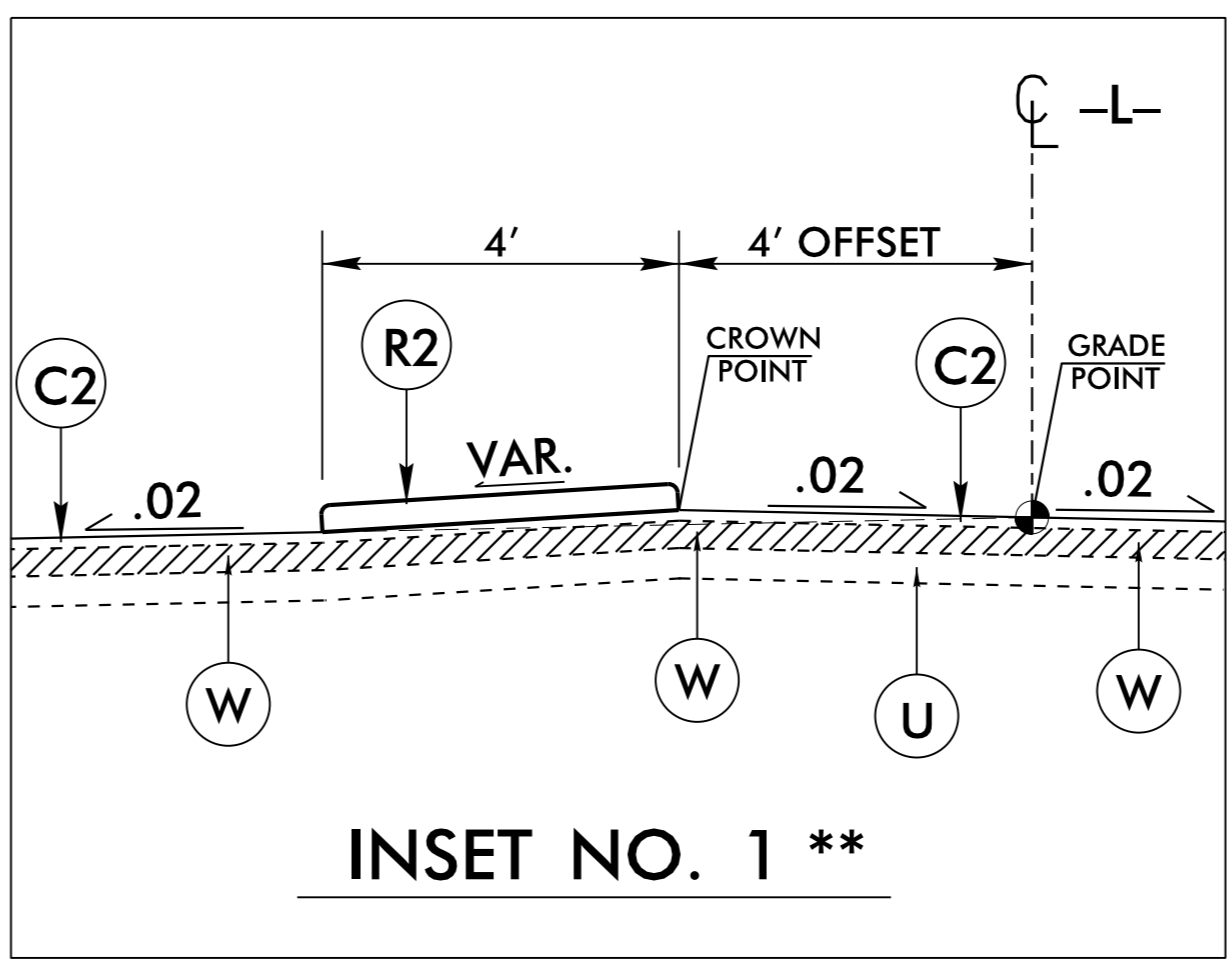


PAVEMENT SCHEDULE	
C1	PROP. APPROX. 1.5" ASPHALT CONCRETE SURFACE COURSE TYPE S9.5B, AT AN AVERAGE RATE OF 168 LBS. PER SQ.YD.
C2	PROP. APPROX. 3" ASPHALT CONCRETE SURFACE COURSE TYPE S9.5B, AT AN AVERAGE RATE OF 168 LBS. PER SQ.YD. IN EACH OF TWO LAYERS.
C3	PROP. VAR. DEPTH ASPHALT CONCRETE SURFACE COURSE TYPE S9.5B, AT AN AVERAGE RATE OF 112 LBS. PER SQ. YD. PER 1" DEPTH. TO BE PLACED IN LAYERS NOT TO EXCEED 2" IN DEPTH.
D1	PROP. APPROX. 4" ASPHALT CONCRETE INTERMEDIATE COURSE TYPE I19.0B, AT AN AVERAGE RATE OF 456 LBS. PER SQ.YD.
D2	PROP. VAR. DEPTH ASPHALT CONCRETE INTERMEDIATE COURSE TYPE I19.0B, AT AN AVERAGE RATE OF 114 LBS. PER SQ. YD. PER 1" DEPTH. TO BE PLACED IN LAYERS NOT LESS THAN 2.5" IN DEPTH OR GREATER THAN 4" IN DEPTH.
E1	PROP. APPROX. 4" ASPHALT CONCRETE BASE COURSE TYPE B25.0B, AT AN AVERAGE RATE OF 456 LBS. PER SQ.YD.
E2	PROP. APPROX. 5.5" ASPHALT CONCRETE BASE COURSE TYPE B25.0B, AT AN AVERAGE RATE OF 627 LBS. PER SQ.YD.
E3	PROP. APPROX. 7" ASPHALT CONCRETE BASE COURSE TYPE B25.0B, AT AN AVERAGE RATE OF 399 LBS. PER SQ.YD. IN EACH OF TWO LAYERS
E4	PROP. VAR. DEPTH ASPHALT CONCRETE BASE COURSE TYPE B25.0B, AT AN AVERAGE RATE OF 114 LBS. PER SQ. YD. PER 1" DEPTH. TO BE PLACED IN LAYERS NOT LESS THAN 3" IN DEPTH OR GREATER THAN 5 1/2" IN DEPTH.
R1	PROPOSED 2'-6" CONCRETE CURB AND GUTTER
R2	PROPOSED 5" CONCRETE MONOLITHIC ISLAND
T	EARTH MATERIAL
U	EXISTING PAVEMENT.
V1	MILLING BITUMINOUS PAVEMENT. 0" - 1.5" DEPTH.
V2	MILLING BITUMINOUS PAVEMENT. 0" - 3.0" DEPTH.
W	VARIABLE DEPTH ASPHALT PAVEMENT (SEE STANDARD WEDGING DETAIL)

NOTE: PAVEMENT EDGE SLOPES ARE 1:1 UNLESS SHOWN OTHERWISE.



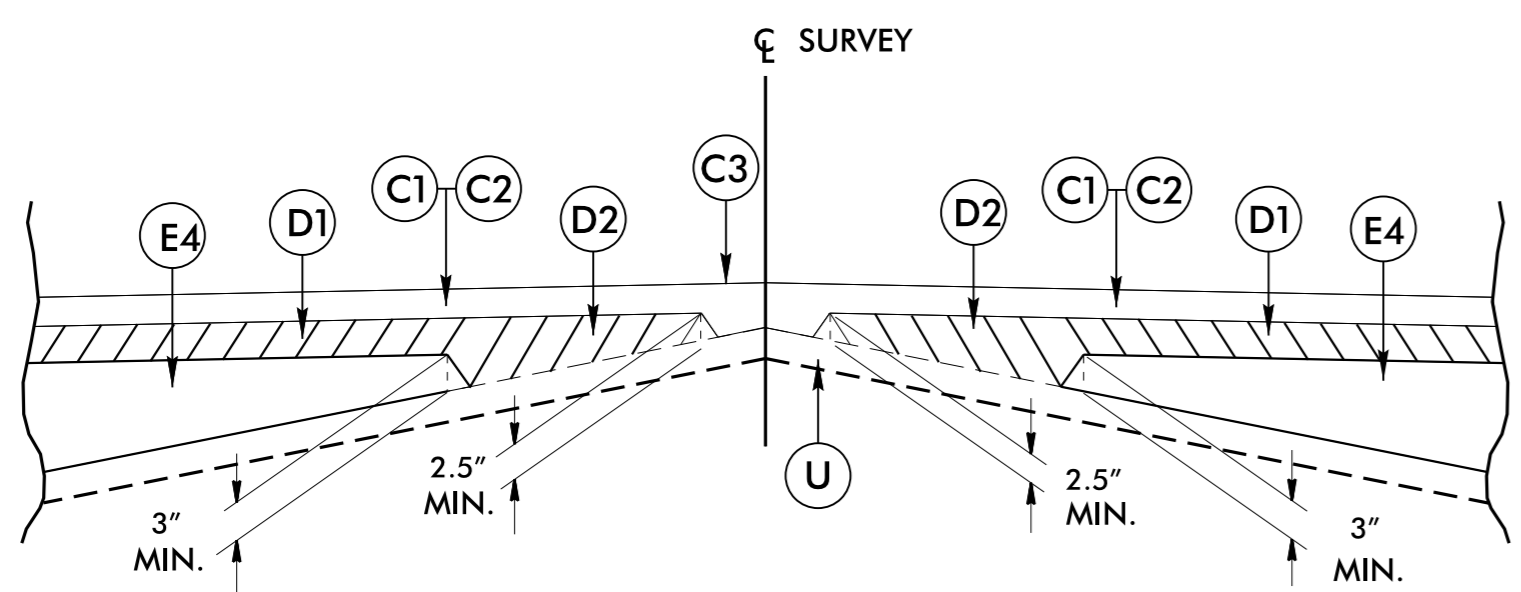
TYPICAL SECTION NO. 1



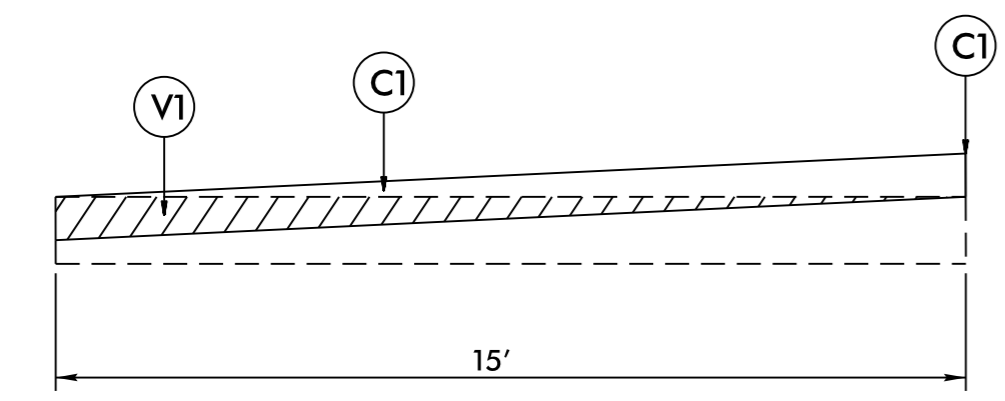
INSET NO. 1 **

USE WITH TYPICAL SECTIONS NO. 2

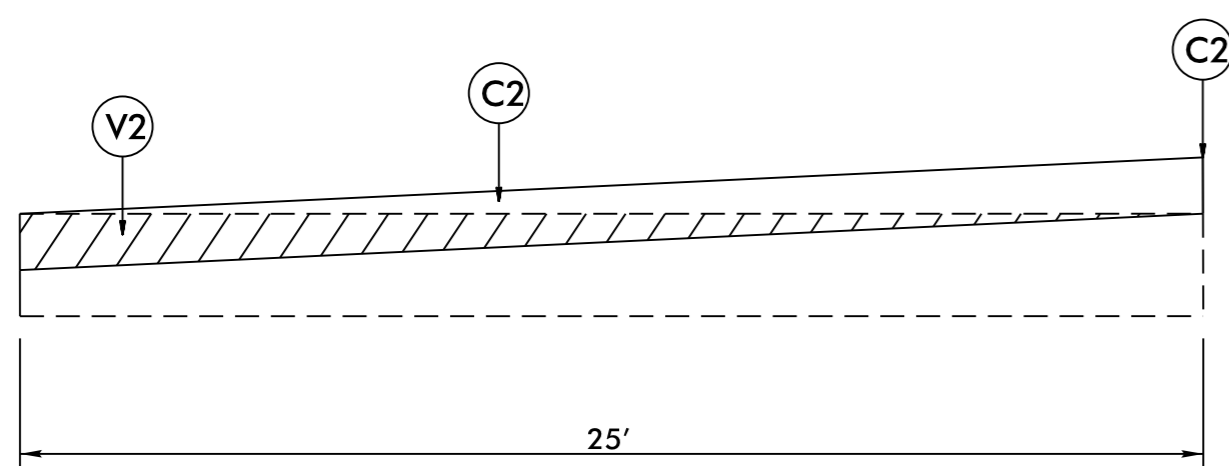
-L- STA. 12+33.00 TO STA 13+53.00



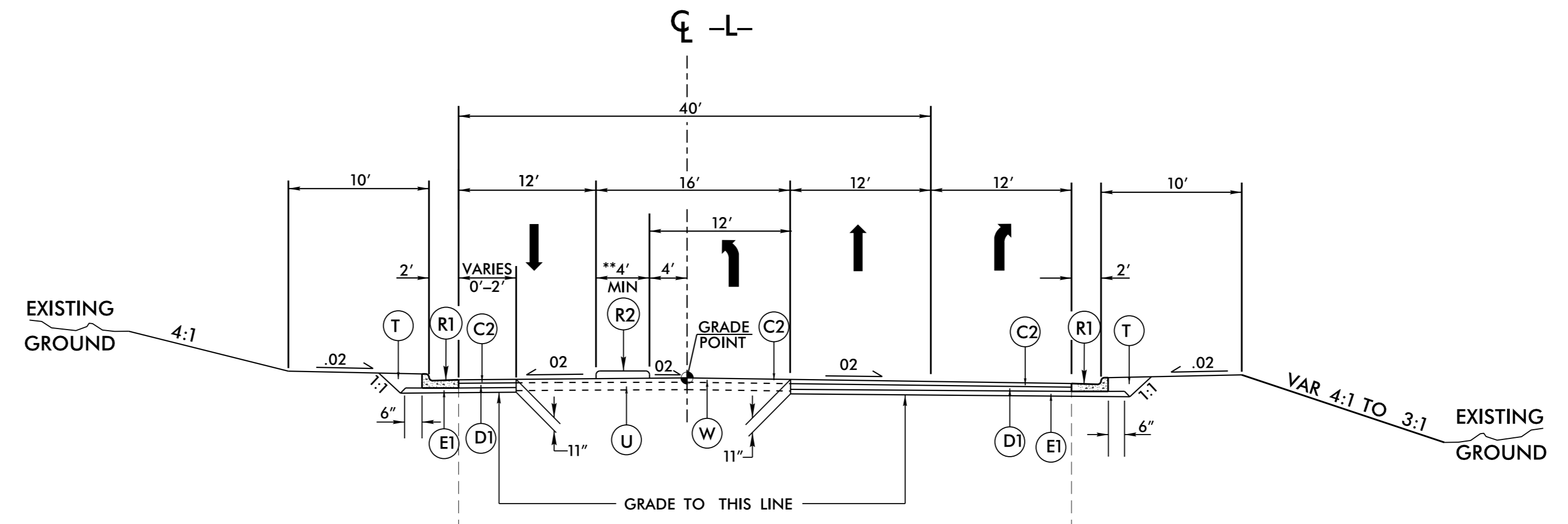
Detail Showing Method of Wedging on -L-, -Y1- and -Y2-



Milling Detail and Resurfacing (-Y2-)



Milling Detail and Resurfacing (-L- AND -Y1-)



TYPICAL SECTION NO. 2

USE TYPICAL SECTION NO. 2 AS FOLLOWS

-L- STA. 10+65.00 TO STA 14+25.98

**SEE INSET NO. 1 AND PLANS FOR ISLAND LOCATION

*NOTE: USE SHOULDER SECTION
*-L- STA 10+65.00 TO STA 12+04.47 LT
*-L- STA 10+65.00 TO STA 12+87.26 RT

*PER DRAINAGE DESIGN
SEE CROSS SECTIONS