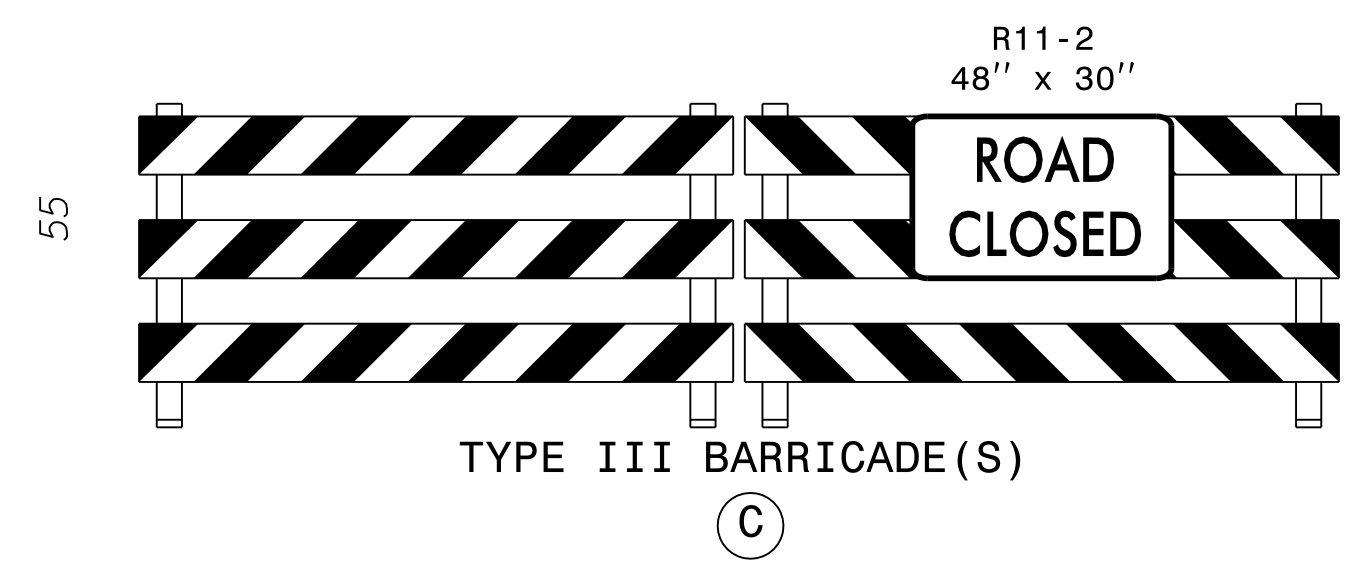
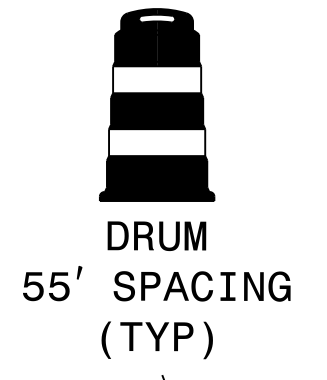


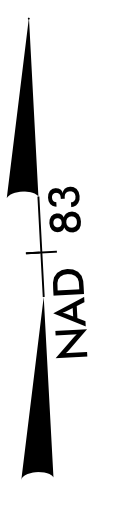
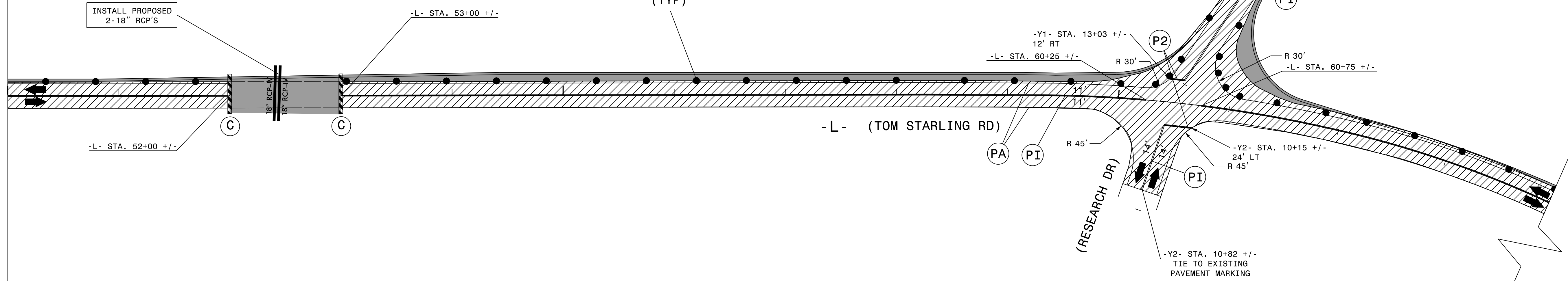
ICT  
 USING OFF-SITE DETOUR, INSTALL 2-18" RCP'S  
 THEN COMPLETE -L- CONSTRUCTION FROM  
 STA. 52+00 TO 53+00



SEE SHEET TMP-2  
 FOR -L- OFF-SITE  
 DETOUR SIGNING



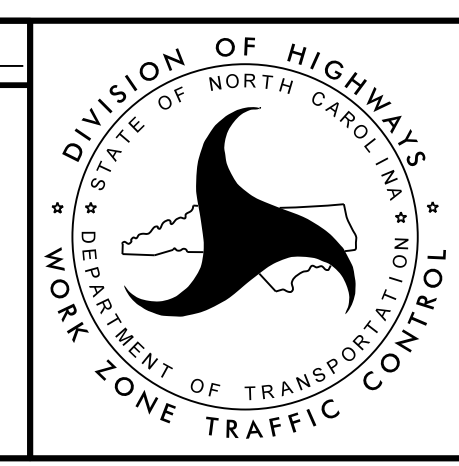
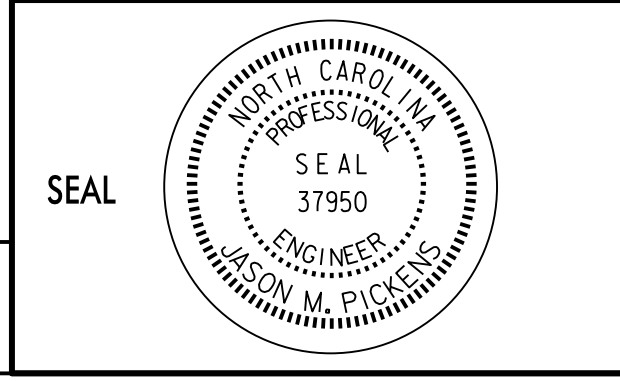
MATCH LINE -L- STA 50+00 SEE SHEET TMP-5



BREAK LINE SEE SHEET TMP-7

25 MAR 2015 15:36  
 C:\Users\jsername\Documents\TrafficControl\TCP\W-5512-TC-TMP-06.dgn

APPROVED: Jason M. Pickens DATE: 3/31/2015



TRANSPORTATION  
 MANAGEMENT PLAN  
 PHASE I  
 DETAIL 3

PLANS PREPARED BY  
**PARSONS**  
 5540 CENTERVIEW DR., SUITE 211  
 RALEIGH, NORTH CAROLINA 27606  
 NO. LICENSE: 1007-0246  
 FOR NORTH CAROLINA DEPT. OF TRANSPORTATION