



STATE OF NORTH CAROLINA
DEPARTMENT OF TRANSPORTATION

PAT MCCRORY
GOVERNOR

ANTHONY J. TATA
SECRETARY

March 10, 2015

Addendum No. 1

RE: Contract ID C203535

WBS # 38688.3.GVS6BA

F. A. # IMS-085-4(116)215

Vance, Warren Counties (I-0914BA) (Proposal #1)

I-85 From North of SR-1162 (Dabney Drive) In Vance County

To North of SR-1237 (Manson-Drewry Road) In Warren County

March 17, 2015 Letting

To Whom It May Concern:

The Contractor's is hereby notified that preliminary information on the location of concrete slabs to be repaired will be posted on the web with the other information on this project. This information is not guaranteed, is for information purposes only and will not be part of the contract.

Reference is made to the plans and proposal form furnished to you on this project.

The following revisions have been made to the Structure plans:

Sheet No.	Revisions
S-82	Corrected the TIP number
S-83	Corrected the TIP number
S-84	Sheet was inadvertently omitted from the original plan set. Please add after Sheet No. S-83
S-85	Sheet was inadvertently omitted from the original plan set. Please add after Sheet No. S-84

Please void Sheet Nos. S-82 and S-83 in your plans and staple the revised sheets thereto.

MAILING ADDRESS:
NC DEPARTMENT OF TRANSPORTATION
CONTRACT STANDARDS AND DEVELOPMENT UNIT
1591 MAIL SERVICE CENTER
RALEIGH NC 27699-1591

TELEPHONE: 919-707-6900
FAX: 919-250-4119

WEBSITE: www.ncdot.gov

LOCATION:
CENTURY CENTER COMPLEX
ENTRANCE B-2
1020 BIRCH RIDGE DRIVE
RALEIGH NC 27610

The following revisions have been made to the proposal:

<u>Page No.</u>	<u>Revisions</u>
Proposal Cover	Note added that reads "Includes Addendum No. 1 Dated 03-10-15"

Please void the existing Proposal Cover in your proposal and replace with the attached revised Proposal Cover.

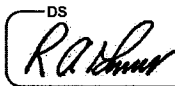
On the item sheets the following pay item quantity has been revised:

<u>Item</u>	<u>Description</u>	<u>Old Quantity</u>	<u>New Quantity</u>
048-112100000-E- 520	Aggregate Base Course	419 TON	3,600 TON

The Contractor's bid must be based on this revised pay item quantity. The contract will be prepared accordingly.

The Expedite File has been updated to reflect this revision. Please download the Expedite Addendum File and follow the instructions for applying the addendum. Bid Express will not accept your bid unless the addendum has been applied.

Sincerely,



R. A. Garris, PE
Contract Officer

RAG/jag
Attachments

cc: Mr. Ron Hancock, PE	Mr. Ray Arnold, PE
Mr. Joey Hopkins, PE	Ms. Terry Canales, PE
Ms. D. M. Barbour, PE	Mr. Ronnie Higgins
Mr. Rodger Rochelle, PE	Mr. Mike Gwyn
Mr. R.E. Davenport, PE	Ms. Marsha Sample
Mr. Tom Koch, PE	Ms. Jaci Kincaid
Ms. Lori Strickland	Ms. Penny Higgins
Project File (2)	

STATE OF NORTH CAROLINA
DEPARTMENT OF TRANSPORTATION
RALEIGH, N.C.

PROPOSAL

Includes Addendum No.1 dated March 10, 2015

DATE AND TIME OF BID OPENING: **MARCH 17, 2015 AT 2:00 PM**

CONTRACT ID C203535
WBS 38688.3.GVS6BA

FEDERAL-AID NO. IMS-085-4(116)215
COUNTY VANCE, WARREN
T.I.P. NO. I-0914BA
MILES 11.189
ROUTE NO. I 85
LOCATION I-85 FROM NORTH OF SR-1162 (DABNEY DR) IN VANCE CO TO NORTH OF SR-1237 SR-1237 (MANSON-DREWRY RD) IN WARREN CO.
TYPE OF WORK GRADING, DRAINAGE, PAVING, AND STRUCTURES.

NOTICE:

ALL BIDDERS SHALL COMPLY WITH ALL APPLICABLE LAWS REGULATING THE PRACTICE OF GENERAL CONTRACTING AS CONTAINED IN CHAPTER 87 OF THE GENERAL STATUTES OF NORTH CAROLINA WHICH REQUIRES THE BIDDER TO BE LICENSED BY THE N.C. LICENSING BOARD FOR CONTRACTORS WHEN BIDDING ON ANY NON-FEDERAL AID PROJECT WHERE THE BID IS \$30,000 OR MORE, EXCEPT FOR CERTAIN SPECIALTY WORK AS DETERMINED BY THE LICENSING BOARD. BIDDERS SHALL ALSO COMPLY WITH ALL OTHER APPLICABLE LAWS REGULATING THE PRACTICES OF ELECTRICAL, PLUMBING, HEATING AND AIR CONDITIONING AND REFRIGERATION CONTRACTING AS CONTAINED IN CHAPTER 87 OF THE GENERAL STATUTES OF NORTH CAROLINA. NOTWITHSTANDING THESE LIMITATIONS ON BIDDING, THE BIDDER WHO IS AWARDED ANY FEDERAL - AID FUNDED PROJECT SHALL COMPLY WITH CHAPTER 87 OF THE GENERAL STATUTES OF NORTH CAROLINA FOR LICENSING REQUIREMENTS WITHIN 60 CALENDAR DAYS OF BID OPENING.

BIDS WILL BE RECEIVED AS SHOWN BELOW:

THIS IS A ROADWAY & STRUCTURE PROPOSAL

5% BID BOND OR BID DEPOSIT REQUIRED

County: Vance, Warren

Line #	Item Number	Sec #	Description	Quantity	Unit Cost	Amount
ROADWAY ITEMS						
0001	0000100000-N	800	MOBILIZATION	Lump Sum	L.S.	
0002	0000400000-N	801	CONSTRUCTION SURVEYING	Lump Sum	L.S.	
0003	0001000000-E	200	CLEARING & GRUBBING .. ACRE(S)	Lump Sum	L.S.	
0004	0008000000-E	200	SUPPLEMENTARY CLEARING & GRUB- BING	3 ACR		
0005	0015000000-N	205	SEALING ABANDONED WELLS	2 EA		
0006	0022000000-E	225	UNCLASSIFIED EXCAVATION	361,300 CY		
0007	0029000000-N	SP	REINFORCED BRIDGE APPROACH FILL, STATION ***** (177+61.31 -NBL-)	Lump Sum	L.S.	
0008	0029000000-N	SP	REINFORCED BRIDGE APPROACH FILL, STATION ***** (21+34.80 -Y5 SBL-)	Lump Sum	L.S.	
0009	0029000000-N	SP	REINFORCED BRIDGE APPROACH FILL, STATION ***** (22+06.96 -Y1-)	Lump Sum	L.S.	
0010	0029000000-N	SP	REINFORCED BRIDGE APPROACH FILL, STATION ***** (419+67.07 -SBL-)	Lump Sum	L.S.	
0011	0029000000-N	SP	REINFORCED BRIDGE APPROACH FILL, STATION ***** (421+29.07 -NBL-)	Lump Sum	L.S.	
0012	0036000000-E	225	UNDERCUT EXCAVATION	4,600 CY		
0013	0106000000-E	230	BORROW EXCAVATION	39,500 CY		
0014	0134000000-E	240	DRAINAGE DITCH EXCAVATION	4,410 CY		
0015	0141000000-E	240	BERM DITCH CONSTRUCTION	3,290 LF		
0016	0156000000-E	250	REMOVAL OF EXISTING ASPHALT PAVEMENT	147,700 SY		
0017	0163000000-E	250	REMOVAL OF EXISTING CONCRETE PAVEMENT	97,700 SY		

County: Vance, Warren

Line #	Item Number	Sec #	Description	Quantity	Unit Cost	Amount
0018	0177000000-E	250	BREAKING OF EXISTING ASPHALT PAVEMENT	3,980 SY		
0019	0185000000-E	250	BREAKING OF EXISTING CONCRETE PAVEMENT	13,960 SY		
0020	0195000000-E	265	SELECT GRANULAR MATERIAL	1,100 CY		
0021	0196000000-E	270	GEOTEXTILE FOR SOIL STABILIZATION	130,500 SY		
0022	0199000000-E	SP	TEMPORARY SHORING	1,981 SF		
0023	0223000000-E	275	ROCK PLATING	4,220 SY		
0024	0248000000-N	SP	GENERIC GRADING ITEM SAFETY CLEARING	Lump Sum	L.S.	
0025	0318000000-E	300	FOUNDATION CONDITIONING MATERIAL, MINOR STRUCTURES	2,230 TON		
0026	0320000000-E	300	FOUNDATION CONDITIONING GEOTEXTILE	7,020 SY		
0027	0366000000-E	310	15" RC PIPE CULVERTS, CLASS III	11,700 LF		
0028	0372000000-E	310	18" RC PIPE CULVERTS, CLASS III	2,604 LF		
0029	0378000000-E	310	24" RC PIPE CULVERTS, CLASS III	678 LF		
0030	0384000000-E	310	30" RC PIPE CULVERTS, CLASS III	460 LF		
0031	0390000000-E	310	36" RC PIPE CULVERTS, CLASS III	180 LF		
0032	0402000000-E	310	48" RC PIPE CULVERTS, CLASS III	8 LF		
0033	0448200000-E	310	15" RC PIPE CULVERTS, CLASS IV	60 LF		
0034	0582000000-E	310	15" CS PIPE CULVERTS, 0.064" THICK	4,598 LF		

County : Vance, Warren

Line #	Item Number	Sec #	Description	Quantity	Unit Cost	Amount
0035	0588000000-E	310	18" CS PIPE CULVERTS, 0.064" THICK	724 LF		
0036	0594000000-E	310	24" CS PIPE CULVERTS, 0.064" THICK	20 LF		
0037	0636000000-E	310	*** CS PIPE ELBOWS, ***** THICK (15", 0.064")	178 EA		
0038	0636000000-E	310	*** CS PIPE ELBOWS, ***** THICK (18", 0.064")	38 EA		
0039	0636000000-E	310	*** CS PIPE ELBOWS, ***** THICK (24", 0.064")	4 EA		
0040	0986000000-E	SP	GENERIC PIPE ITEM 60" CURED-IN-PLACE PIPE	269 LF		
0041	0995000000-E	340	PIPE REMOVAL	3,819 LF		
0042	0996000000-N	350	PIPE CLEAN-OUT	36 EA		
0043	1000000000-E	462	6" SLOPE PROTECTION	530 SY		
0044	1011000000-N	500	FINE GRADING	Lump Sum	L.S.	
0045	1099500000-E	505	SHALLOW UNDERCUT	42,000 CY		
0046	1099700000-E	505	CLASS IV SUBGRADE STABILIZATION	83,000 TON		
0047	1110000000-E	510	STABILIZER AGGREGATE	500 TON		
0048	1121000000-E	520	AGGREGATE BASE COURSE	3,600 TON		
0049	1220000000-E	545	INCIDENTAL STONE BASE	400 TON		
0050	1297000000-E	607	MILLING ASPHALT PAVEMENT, ***** DEPTH (3")	5,060 SY		
0051	1297000000-E	607	MILLING ASPHALT PAVEMENT, ***** DEPTH (5/8")	259,020 SY		

County: Vance, Warren

Line #	Item Number	Sec #	Description	Quantity	Unit Cost	Amount
0052	1489000000-E	610	ASPHALT CONC BASE COURSE, TYPE B25.0B	34,000 TON		
0053	1491000000-E	610	ASPHALT CONC BASE COURSE, TYPE B25.0C	81,200 TON		
0054	1498000000-E	610	ASPHALT CONC INTERMEDIATE COURSE, TYPE I19.0B	59,500 TON		
0055	1503000000-E	610	ASPHALT CONC INTERMEDIATE COURSE, TYPE I19.0C	52,900 TON		
0056	1519000000-E	610	ASPHALT CONC SURFACE COURSE, TYPE S9.5B	52,000 TON		
0057	1523000000-E	610	ASPHALT CONC SURFACE COURSE, TYPE S9.5C	60,300 TON		
0058	1526000000-E	SP	ASPHALT CONC SURFACE COURSE, TYPE S4.75A	2,950 TON		
0059	1527000000-E	SP	ASPHALT CONC SURFACE COURSE, TYPE SA-1	200 TON		
0060	1575000000-E	620	ASPHALT BINDER FOR PLANT MIX	18,485 TON		
0061	1671000000-E	652	PERMEABLE ASPHALT DRAINAGE COURSE, TYPE P-78M	37,500 TON		
0062	1693000000-E	654	ASPHALT PLANT MIX, PAVEMENT REPAIR	2,000 TON		
0063	1840000000-E	665	MILLED RUMBLE STRIPS (ASPHALT CONCRETE)	240,000 LF		
0064	1847000000-E	710	***** PORT CEM CONC PAVEMENT, THROUGH LANES (WITH DOWELS) (10")	337,000 SY		
0065	1858000000-E	710	***** PORT CEM CONC PAVEMENT, RAMPS (WITH DOWELS) (10")	21,200 SY		
0066	1869000000-E	710	***** PORT CEM CONC PAVEMENT, MISCELLANEOUS (WITHOUT DOWELS) (10")	10,750 SY		
0067	1880000000-E	SP	GENERIC PAVING ITEM CONCRETE PAVEMENT REPAIR (UNDER TRAFFIC)	780 TON		

County : Vance, Warren

Line #	Item Number	Sec #	Description	Quantity	Unit Cost	Amount
0068	1880000000-E	SP	GENERIC PAVING ITEM CONCRETE PAVEMENT REPAIR (NOT UNDER TRAFFIC)	1,820 TON		
0069	1891000000-E	SP	GENERIC PAVING ITEM MEDIAN CROSSOVER	90 SY		
0070	1924000000-N	725	FIELD LABORATORY RENTAL, PORT CEM CONC PAVEMENT	Lump Sum	L.S.	
0071	2000000000-N	806	RIGHT OF WAY MARKERS	4 EA		
0072	2022000000-E	815	SUBDRAIN EXCAVATION	672 CY		
0073	2026000000-E	815	GEOTEXTILE FOR SUBSURFACE DRAINS	2,500 SY		
0074	2033000000-E	815	SUBDRAIN FINE AGGREGATE	84 CY		
0075	2036000000-E	815	SUBDRAIN COARSE AGGREGATE	420 CY		
0076	2044000000-E	815	6" PERFORATED SUBDRAIN PIPE	3,000 LF		
0077	2070000000-N	815	SUBDRAIN PIPE OUTLET	6 EA		
0078	2077000000-E	815	6" OUTLET PIPE	36 LF		
0079	2099000000-E	816	SHOULDER DRAIN	114,300 LF		
0080	2110000000-E	816	4" SHOULDER DRAIN PIPE	114,300 LF		
0081	2121000000-E	816	4" OUTLET PIPE FOR SHOULDER DRAINS	5,400 LF		
0082	2132000000-N	816	CONCRETE PAD FOR SHOULDER DRAIN PIPE OUTLET	165 EA		
0083	2190000000-N	828	TEMPORARY STEEL PLATE COVERS FOR MASONRY DRAINAGE STRUCTURE	48 EA		
0084	2253000000-E	840	PIPE COLLARS	38.3 CY		
0085	2275000000-E	SP	FLOWABLE FILL	32 CY		

County : Vance, Warren

Line #	Item Number	Sec #	Description	Quantity	Unit Cost	Amount
0086	2286000000-N	840	MASONRY DRAINAGE STRUCTURES	333 EA		
0087	2308000000-E	840	MASONRY DRAINAGE STRUCTURES	128 LF		
0088	2354000000-N	840	FRAME WITH GRATE, STD 840.22	5 EA		
0089	2364200000-N	840	FRAME WITH TWO GRATES, STD 840.20	134 EA		
0090	2365000000-N	840	FRAME WITH TWO GRATES, STD 840.22	251 EA		
0091	2366000000-N	840	FRAME WITH TWO GRATES, STD 840.24	1 EA		
0092	2374000000-N	840	FRAME WITH GRATE & HOOD, STD 840.03, TYPE ** (E)	3 EA		
0093	2374000000-N	840	FRAME WITH GRATE & HOOD, STD 840.03, TYPE ** (F)	3 EA		
0094	2374000000-N	840	FRAME WITH GRATE & HOOD, STD 840.03, TYPE ** (G)	4 EA		
0095	2396000000-N	840	FRAME WITH COVER, STD 840.54	74 EA		
0096	2549000000-E	846	2'-6" CONCRETE CURB & GUTTER	3,270 LF		
0097	2556000000-E	846	SHOULDER BERM GUTTER	21,100 LF		
0098	2591000000-E	848	4" CONCRETE SIDEWALK	660 SY		
0099	2605000000-N	848	CONCRETE CURB RAMP	11 EA		
0100	2619000000-E	850	4" CONCRETE PAVED DITCH	240 SY		
0101	2655000000-E	852	5" MONOLITHIC CONCRETE ISLANDS (KEYED IN)	580 SY		
0102	2724000000-E	857	PRECAST REINFORCED CONCRETE BARRIER, SINGLE FACED	711 LF		
0103	2752000000-E	SP	GENERIC PAVING ITEM SPECIAL SHOULDER BERM GUTTER	950 LF		

County : Vance, Warren

Line #	Item Number	Sec #	Description	Quantity	Unit Cost	Amount
0104	2815000000-N	858	ADJUSTMENT OF DROP INLETS	114 EA		
0105	2830000000-N	858	ADJUSTMENT OF MANHOLES	5 EA		
0106	2845000000-N	858	ADJUSTMENT OF METER BOXES OR VALVE BOXES	14 EA		
0107	2860000000-N	859	CONVERT EXISTING CATCH BASIN TO JUNCTION BOX	10 EA		
0108	2905000000-N	859	CONVERT EXISTING DROP INLET TO JUNCTION BOX	27 EA		
0109	3030000000-E	862	STEEL BM GUARDRAIL	165,200 LF		
0110	3045000000-E	862	STEEL BM GUARDRAIL, SHOP CURVED	150 LF		
0111	3060000000-E	862	STEEL BM GUARDRAIL, DOUBLE FACED	350 LF		
0112	3150000000-N	862	ADDITIONAL GUARDRAIL POSTS	50 EA		
0113	3180000000-N	862	GUARDRAIL ANCHOR UNITS, TYPE ***** (III MODIFIED)	24 EA		
0114	3210000000-N	862	GUARDRAIL ANCHOR UNITS, TYPE CAT-1	73 EA		
0115	3215000000-N	862	GUARDRAIL ANCHOR UNITS, TYPE III	4 EA		
0116	3270000000-N	SP	GUARDRAIL ANCHOR UNITS, TYPE 350	110 EA		
0117	3285000000-N	SP	GUARDRAIL ANCHOR UNITS, TYPE M-350	4 EA		
0118	3317000000-N	862	GUARDRAIL ANCHOR UNITS, TYPE B-77	34 EA		
0119	3345000000-E	864	REMOVE & RESET EXISTING GUARDRAIL	4,737 LF		
0120	3360000000-E	863	REMOVE EXISTING GUARDRAIL	54,470 LF		

County : Vance, Warren

Line #	Item Number	Sec #	Description	Quantity	Unit Cost	Amount
0121	3365000000-E	863	REMOVE EXISTING GUIDERAIL	90,500 LF		
0122	3380000000-E	862	TEMPORARY STEEL BM GUARDRAIL	64,650 LF		
0123	3382000000-E	862	TEMPORARY STEEL BM GUARDRAIL (SHOP CURVED)	137.5 LF		
0124	3383000000-E	862	TEMPORARY STEEL BM GUARDRAIL, DOUBLE FACED	325 LF		
0125	3387000000-N	862	TEMPORARY GUARDRAIL ANCHOR UNITS, TYPE ***** (AT-1)	2 EA		
0126	3387000000-N	862	TEMPORARY GUARDRAIL ANCHOR UNITS, TYPE ***** (B-77)	1 EA		
0127	3387000000-N	862	TEMPORARY GUARDRAIL ANCHOR UNITS, TYPE ***** (CAT-1)	5 EA		
0128	3387000000-N	862	TEMPORARY GUARDRAIL ANCHOR UNITS, TYPE ***** (III)	2 EA		
0129	3389100000-N	SP	TEMPORARY GUARDRAIL ANCHOR UNITS, TYPE 350	112 EA		
0130	3389400000-E	865	DOUBLE FACED CABLE GUIDERAIL	2,430 LF		
0131	3389500000-N	865	ADDITIONAL GUIDERAIL POSTS	5 EA		
0132	3389600000-N	865	CABLE GUIDERAIL ANCHOR UNITS	3 EA		
0133	3503000000-E	866	WOVEN WIRE FENCE, 47" FABRIC	1,320 LF		
0134	3509000000-E	866	4" TIMBER FENCE POSTS, 7'-6" LONG	81 EA		
0135	3515000000-E	866	5" TIMBER FENCE POSTS, 8'-0" LONG	25 EA		
0136	3536000000-E	866	CHAIN LINK FENCE, 48" FABRIC	378 LF		
0137	3542000000-E	866	METAL LINE POSTS FOR 48" CHAIN LINK FENCE	32 EA		

County : Vance, Warren

Line #	Item Number	Sec #	Description	Quantity	Unit Cost	Amount
0138	3548000000-E	866	METAL TERMINAL POSTS FOR 48" CHAIN LINK FENCE	2 EA		
0139	3575000000-E	SP	GENERIC FENCING ITEM VINYL COATED GLARE SCREEN (GR MOUNTED)	350 LF		
0140	3595000000-E	869	RELAPPING GUARDRAIL	173,082 LF		
0141	3628000000-E	876	RIP RAP, CLASS I	640 TON		
0142	3635000000-E	876	RIP RAP, CLASS II	515 TON		
0143	3649000000-E	876	RIP RAP, CLASS B	2,925 TON		
0144	3656000000-E	876	GEOTEXTILE FOR DRAINAGE	15,210 SY		
0145	4048000000-E	902	REINFORCED CONCRETE SIGN FOUN- DATIONS	75 CY		
0146	4054000000-E	902	PLAIN CONCRETE SIGN FOUNDA- TIONS	11 CY		
0147	4057000000-E	SP	OVERHEAD FOOTING	231 CY		
0148	4060000000-E	903	SUPPORTS, BREAKAWAY STEEL BEAM	37,350 LB		
0149	4066000000-E	903	SUPPORTS, SIMPLE STEEL BEAM	25,810 LB		
0150	4072000000-E	903	SUPPORTS, 3-LB STEEL U-CHANNEL	9,169 LF		
0151	4082000000-E	903	SUPPORTS, WOOD	137 LF		
0152	4082100000-N	SP	SUPPORTS, OVERHEAD SIGN STRUC- TURE AT STA ***** (114+50 -NBL-)	Lump Sum	L.S.	
0153	4082100000-N	SP	SUPPORTS, OVERHEAD SIGN STRUC- TURE AT STA ***** (142+50 -SBL-)	Lump Sum	L.S.	
0154	4082100000-N	SP	SUPPORTS, OVERHEAD SIGN STRUC- TURE AT STA ***** (166+50 -NBL-)	Lump Sum	L.S.	

County : Vance, Warren

Line #	Item Number	Sec #	Description	Quantity	Unit Cost	Amount
0155	4082100000-N	SP	SUPPORTS, OVERHEAD SIGN STRUCTURE AT STA ***** (196+00 -SBL-)	Lump Sum	L.S.	
0156	4082100000-N	SP	SUPPORTS, OVERHEAD SIGN STRUCTURE AT STA ***** (276+50 -SBL-)	Lump Sum	L.S.	
0157	4082100000-N	SP	SUPPORTS, OVERHEAD SIGN STRUCTURE AT STA ***** (31+00 -Y5 SBL-)	Lump Sum	L.S.	
0158	4082100000-N	SP	SUPPORTS, OVERHEAD SIGN STRUCTURE AT STA ***** (318+00 -NBL-)	Lump Sum	L.S.	
0159	4082100000-N	SP	SUPPORTS, OVERHEAD SIGN STRUCTURE AT STA ***** (358+50 -SBL-)	Lump Sum	L.S.	
0160	4082100000-N	SP	SUPPORTS, OVERHEAD SIGN STRUCTURE AT STA ***** (39+50 -Y5 NBL-)	Lump Sum	L.S.	
0161	4082100000-N	SP	SUPPORTS, OVERHEAD SIGN STRUCTURE AT STA ***** (434+50 -SBL-)	Lump Sum	L.S.	
0162	4082100000-N	SP	SUPPORTS, OVERHEAD SIGN STRUCTURE AT STA ***** (73+50 -SBL-)	Lump Sum	L.S.	
0163	4082100000-N	SP	SUPPORTS, OVERHEAD SIGN STRUCTURE AT STA ***** (US-1 NBL)	Lump Sum	L.S.	
0164	4096000000-N	904	SIGN ERECTION, TYPE D	53 EA		
0165	4102000000-N	904	SIGN ERECTION, TYPE E	191 EA		
0166	4108000000-N	904	SIGN ERECTION, TYPE F	122 EA		
0167	4110000000-N	904	SIGN ERECTION, TYPE *** (GROUND MOUNTED) (A)	50 EA		
0168	4110000000-N	904	SIGN ERECTION, TYPE *** (GROUND MOUNTED) (B)	33 EA		
0169	4114000000-N	904	SIGN ERECTION, MILEMARKERS	80 EA		

County : Vance, Warren

Line #	Item Number	Sec #	Description	Quantity	Unit Cost	Amount
0170	4116000000-N	904	SIGN ERECTION, OVERLAY (GROUND MOUNTED)	2 EA		
0171	4116100000-N	904	SIGN ERECTION, RELOCATE, TYPE **** (GROUND MOUNTED) (A)	26 EA		
0172	4116100000-N	904	SIGN ERECTION, RELOCATE, TYPE **** (GROUND MOUNTED) (B)	11 EA		
0173	4116100000-N	904	SIGN ERECTION, RELOCATE, TYPE **** (GROUND MOUNTED) (D)	1 EA		
0174	4116100000-N	904	SIGN ERECTION, RELOCATE, TYPE **** (GROUND MOUNTED) (E)	10 EA		
0175	4138000000-N	907	DISPOSAL OF SUPPORT, STEEL BEAM	69 EA		
0176	4149000000-N	907	DISPOSAL OF SIGN SYSTEM, OVER-HEAD	6 EA		
0177	4152000000-N	907	DISPOSAL OF SIGN SYSTEM, STEEL BEAM	110 EA		
0178	4155000000-N	907	DISPOSAL OF SIGN SYSTEM, U-CHANNEL	150 EA		
0179	4158000000-N	907	DISPOSAL OF SIGN SYSTEM, WOOD	10 EA		
0180	4192000000-N	907	DISPOSAL OF SUPPORT, U-CHANNEL	3 EA		
0181	4238000000-N	907	DISPOSAL OF SIGN, D, E OR F	4 EA		
0182	4238500000-N	907	DISPOSAL OF SIGN, MILEMARKER	46 EA		
0183	4400000000-E	1110	WORK ZONE SIGNS (STATIONARY)	8,845 SF		
0184	4405000000-E	1110	WORK ZONE SIGNS (PORTABLE)	3,552 SF		
0185	4410000000-E	1110	WORK ZONE SIGNS (BARRICADE MOUNTED)	870 SF		
0186	4415000000-N	1115	FLASHING ARROW BOARD	12 EA		

County: Vance, Warren

Line #	Item Number	Sec #	Description	Quantity	Unit Cost	Amount
0187	4420000000-N	1120	PORTABLE CHANGEABLE MESSAGE SIGN	19 EA		
0188	4430000000-N	1130	DRUMS	1,323 EA		
0189	4435000000-N	1135	CONES	47 EA		
0190	4445000000-E	1145	BARRICADES (TYPE III)	536 LF		
0191	4450000000-N	1150	FLAGGER	1,520 HR		
0192	4465000000-N	1160	TEMPORARY CRASH CUSHIONS	7 EA		
0193	4470000000-N	1160	RESET TEMPORARY CRASH CUSHION	2 EA		
0194	4480000000-N	1165	TMA	20 EA		
0195	4485000000-E	1170	PORTABLE CONCRETE BARRIER	32,404 LF		
0196	4490000000-E	1170	PORTABLE CONCRETE BARRIER (ANCHORED)	262 LF		
0197	4500000000-E	1170	RESET PORTABLE CONCRETE BARRIER	92,927 LF		
0198	4505000000-E	1170	RESET PORTABLE CONCRETE BARRIER (ANCHORED)	258 LF		
0199	4507000000-E	1170	WATER FILLED BARRIER	226 LF		
0200	4510000000-N	SP	LAW ENFORCEMENT	7,424 HR		
0201	4516000000-N	1180	SKINNY DRUM	47 EA		
0202	4600000000-N	SP	GENERIC TRAFFIC CONTROL ITEM COVERING OF TYPE A SIGNS	9 EA		
0203	4600000000-N	SP	GENERIC TRAFFIC CONTROL ITEM COVERING OF TYPE B SIGNS	2 EA		
0204	4600000000-N	SP	GENERIC TRAFFIC CONTROL ITEM COVERING OF TYPE D SIGNS	25 EA		
0205	4600000000-N	SP	GENERIC TRAFFIC CONTROL ITEM COVERING OF TYPE E SIGNS	1 EA		

County: Vance, Warren

Line #	Item Number	Sec #	Description	Quantity	Unit Cost	Amount
0206	4650000000-N	1251	TEMPORARY RAISED PAVEMENT MARKERS	14,740	EA	
0207	4695000000-E	1205	THERMOPLASTIC PAVEMENT MARKING LINES (8", 90 MILS)	105	LF	
0208	4697000000-E	1205	THERMOPLASTIC PAVEMENT MARKING LINES (8", 120 MILS)	207	LF	
0209	4710000000-E	1205	THERMOPLASTIC PAVEMENT MARKING LINES (24", 120 MILS)	748	LF	
0210	4721000000-E	1205	THERMOPLASTIC PAVEMENT MARKING CHARACTER (120 MILS)	16	EA	
0211	4725000000-E	1205	THERMOPLASTIC PAVEMENT MARKING SYMBOL (90 MILS)	117	EA	
0212	4770000000-E	1205	COLD APPLIED PLASTIC PAVEMENT MARKING LINES, TYPE ** (4") (IV)	4,110	LF	
0213	4775000000-E	1205	COLD APPLIED PLASTIC PAVEMENT MARKING LINES, TYPE ** (6") (IV)	38,490	LF	
0214	4780000000-E	1205	COLD APPLIED PLASTIC PAVEMENT MARKING LINES, TYPE ** (8") (II)	152	LF	
0215	4785000000-E	1205	COLD APPLIED PLASTIC PAVEMENT MARKING LINES, TYPE ** (12") (IV)	9,600	LF	
0216	4810000000-E	1205	PAINT PAVEMENT MARKING LINES (4")	14,249	LF	
0217	4815000000-E	1205	PAINT PAVEMENT MARKING LINES (6")	2,116,978	LF	
0218	4820000000-E	1205	PAINT PAVEMENT MARKING LINES (8")	1,010	LF	
0219	4825000000-E	1205	PAINT PAVEMENT MARKING LINES (12")	14,576	LF	
0220	4835000000-E	1205	PAINT PAVEMENT MARKING LINES (24")	238	LF	

County : Vance, Warren

Line #	Item Number	Sec #	Description	Quantity	Unit Cost	Amount
0221	4840000000-N	1205	PAINT PAVEMENT MARKING CHARACTER	16	EA	
0222	4845000000-N	1205	PAINT PAVEMENT MARKING SYMBOL	56	EA	
0223	4847000000-E	1205	POLYUREA PAVEMENT MARKING LINES (4", *****) (HIGHLY REFLECTIVE ELEMENTS)	28,098	LF	
0224	4847100000-E	1205	POLYUREA PAVEMENT MARKING LINES (6", *****) (HIGHLY REFLECTIVE ELEMENTS)	319,251	LF	
0225	4847110000-E	1205	POLYUREA PAVEMENT MARKING LINES (8", *****) (HIGHLY REFLECTIVE ELEMENTS)	797	LF	
0226	4847120000-E	1205	POLYUREA PAVEMENT MARKING LINES (12", *****) (HIGHLY REFLECTIVE ELEMENTS)	16,468	LF	
0227	4850000000-E	1205	REMOVAL OF PAVEMENT MARKING LINES (4")	4,954	LF	
0228	4855000000-E	1205	REMOVAL OF PAVEMENT MARKING LINES (6")	292,200	LF	
0229	4860000000-E	1205	REMOVAL OF PAVEMENT MARKING LINES (8")	257	LF	
0230	4865000000-E	1205	REMOVAL OF PAVEMENT MARKING LINES (12")	7,200	LF	
0231	4870000000-E	1205	REMOVAL OF PAVEMENT MARKING LINES (24")	42	LF	
0232	4875000000-N	1205	REMOVAL OF PAVEMENT MARKING SYMBOLS & CHARACTERS	24	EA	
0233	4880000000-E	1205	CURING COMPOUND REMOVAL, LINES	281,756	LF	
0234	4885000000-N	1205	CURING COMPOUND REMOVAL, SYMBOLS & CHARACTERS	64	EA	
0235	4890000000-E	SP	GENERIC PAVEMENT MARKING ITEM THERMOPLASTIC PROFILED PAVEMENT MARKING LINES 6"	28,729	LF	
0236	4900000000-N	1251	PERMANENT RAISED PAVEMENT MARKERS	71	EA	

County : Vance, Warren

Line #	Item Number	Sec #	Description	Quantity	Unit Cost	Amount
0237	4905000000-N	1253	SNOWPLOWABLE PAVEMENT MARKERS	3,179 EA		
0238	6000000000-E	1605	TEMPORARY SILT FENCE	45,000 LF		
0239	6006000000-E	1610	STONE FOR EROSION CONTROL, CLASS A	10,000 TON		
0240	6009000000-E	1610	STONE FOR EROSION CONTROL, CLASS B	15,000 TON		
0241	6012000000-E	1610	SEDIMENT CONTROL STONE	15,000 TON		
0242	6015000000-E	1615	TEMPORARY MULCHING	400 ACR		
0243	6018000000-E	1620	SEED FOR TEMPORARY SEEDING	23,600 LB		
0244	6021000000-E	1620	FERTILIZER FOR TEMPORARY SEED- ING	118 TON		
0245	6024000000-E	1622	TEMPORARY SLOPE DRAINS	5,000 LF		
0246	6029000000-E	SP	SAFETY FENCE	200 LF		
0247	6030000000-E	1630	SILT EXCAVATION	79,201 CY		
0248	6036000000-E	1631	MATTING FOR EROSION CONTROL	300,000 SY		
0249	6037000000-E	SP	COIR FIBER MAT	730 SY		
0250	6038000000-E	SP	PERMANENT SOIL REINFORCEMENT MAT	2,750 SY		
0251	6042000000-E	1632	1/4" HARDWARE CLOTH	10,000 LF		
0252	6045000000-E	SP	*** TEMPORARY PIPE (18")	80 LF		
0253	6070000000-N	1639	SPECIAL STILLING BASINS	22 EA		
0254	6071012000-E	SP	COIR FIBER WATTLE	2,950 LF		
0255	6071013000-E	SP	WATTLE BARRIER	4,600 LF		

County: Vance, Warren

Line #	Item Number	Sec #	Description	Quantity	Unit Cost	Amount
0256	6071020000-E	SP	POLYACRYLAMIDE (PAM)	4,000 LB		
0257	6071030000-E	1640	COIR FIBER BAFFLE	8,000 LF		
0258	6071050000-E	SP	*** SKIMMER (1-1/2")	51 EA		
0259	6071050000-E	SP	*** SKIMMER (2")	3 EA		
0260	6084000000-E	1660	SEEDING & MULCHING	300 ACR		
0261	6087000000-E	1660	MOWING	600 ACR		
0262	6090000000-E	1661	SEED FOR REPAIR SEEDING	5,350 LB		
0263	6093000000-E	1661	FERTILIZER FOR REPAIR SEEDING	13.75 TON		
0264	6096000000-E	1662	SEED FOR SUPPLEMENTAL SEEDING	7,575 LB		
0265	6108000000-E	1665	FERTILIZER TOPDRESSING	227 TON		
0266	6111000000-E	SP	IMPERVIOUS DIKE	300 LF		
0267	6114500000-N	1667	SPECIALIZED HAND MOWING	1,000 MHR		
0268	6117000000-N	SP	RESPONSE FOR EROSION CONTROL	125 EA		
0269	7048500000-E	1705	PEDESTRIAN SIGNAL HEAD (16", 1 SECTION W/COUNTDOWN)	4 EA		
0270	7060000000-E	1705	SIGNAL CABLE	1,550 LF		
0271	7120000000-E	1705	VEHICLE SIGNAL HEAD (12", 3 SECTION)	3 EA		
0272	7132000000-E	1705	VEHICLE SIGNAL HEAD (12", 4 SECTION)	1 EA		
0273	7300000000-E	1715	UNPAVED TRENCHING (***** (1, 2")	610 LF		
0274	7300100000-E	1715	UNPAVED TRENCHING FOR TEMP- ORARY LEAD-IN	1,975 LF		

County: Vance, Warren

Line #	Item Number	Sec #	Description	Quantity	Unit Cost	Amount
0275	7301000000-E	1715	DIRECTIONAL DRILL (***** (1, 2")	50 LF		
0276	7324000000-N	1716	JUNCTION BOX (STANDARD SIZE)	9 EA		
0277	7396000000-E	1722	1/2" RISER WITH WEATHERHEAD	3 EA		
0278	7408000000-E	1722	1" RISER WITH WEATHERHEAD	1 EA		
0279	7420000000-E	1722	2" RISER WITH WEATHERHEAD	4 EA		
0280	7444000000-E	1725	INDUCTIVE LOOP SAWCUT	1,990 LF		
0281	7456000000-E	1726	LEAD-IN CABLE (***** (14-2)	6,200 LF		
0282	7636000000-N	1745	SIGN FOR SIGNALS	10 EA		
0283	7642100000-N	1743	TYPE I POST WITH FOUNDATION	3 EA		
0284	7642200000-N	1743	TYPE II PEDESTAL WITH FOUNDATION	2 EA		
0285	7684000000-N	1750	SIGNAL CABINET FOUNDATION	1 EA		
0286	7756000000-N	1751	CONTROLLER WITH CABINET (TYPE 2070L, BASE MOUNTED)	1 EA		
0287	7780000000-N	1751	DETECTOR CARD (TYPE 2070L)	5 EA		
0288	7901000000-N	1753	CABINET BASE EXTENDER	1 EA		
CULVERT ITEMS						
0289	8196000000-E	420	CLASS A CONCRETE (CULVERT)	8.9 CY		
0290	8245000000-E	425	REINFORCING STEEL (CULVERT)	1,003 LB		
0291	8430000000-E	452	SHEET PILE RETAINING WALLS	174 SF		

County: Vance, Warren

Line #	Item Number	Sec #	Description	Quantity	Unit Cost	Amount
0292	8664000000-E	SP	SHOTCRETE REPAIRS	136.4 CF		
0293	8678000000-E	SP	EPOXY RESIN INJECTION	42.5 LF		
0294	8811000000-E	SP	GENERIC CULVERT ITEM JOINT SEALER WRAP	52 LF		
0295	8821000000-E	SP	GENERIC CULVERT ITEM EPOXY COATING	459 SF		
WALL ITEMS						
0296	8801000000-E	SP	MSE RETAINING WALL NO **** (1)	550 SF		
STRUCTURE ITEMS						
0297	1525000000-E	610	ASPHALT CONC SURFACE COURSE, TYPE SF9.5A	35.8 TON		
0298	8035000000-N	402	REMOVAL OF EXISTING STRUCTURE AT STATION ***** (177+61.31 -NBL-)	Lump Sum	L.S.	
0299	8035000000-N	402	REMOVAL OF EXISTING STRUCTURE AT STATION ***** (21+34.80 -Y5 SBL-)	Lump Sum	L.S.	
0300	8035000000-N	402	REMOVAL OF EXISTING STRUCTURE AT STATION ***** (22+06.96 -Y1-)	Lump Sum	L.S.	
0301	8035000000-N	402	REMOVAL OF EXISTING STRUCTURE AT STATION ***** (419+67.07 -SBL-)	Lump Sum	L.S.	
0302	8035000000-N	402	REMOVAL OF EXISTING STRUCTURE AT STATION ***** (421+29.07 -NBL-)	Lump Sum	L.S.	
0303	8091000000-N	410	FOUNDATION EXCAVATION FOR BENT ** AT STATION ***** (1, 22+06.91 -Y1-)	Lump Sum	L.S.	

County: Vance, Warren

Line #	Item Number	Sec #	Description	Quantity	Unit Cost	Amount
0304	8096000000-E	450	PILE EXCAVATION IN SOIL	252 LF		
0305	8097000000-E	450	PILE EXCAVATION NOT IN SOIL	48 LF		
0306	8112730000-N	450	PDA TESTING	2 EA		
0307	8121000000-N	412	UNCLASSIFIED STRUCTURE EXCAVATION AT STATION ***** (21+34.80 -Y5 SBL-)	Lump Sum	L.S.	
0308	8147000000-E	420	REINFORCED CONCRETE DECK SLAB	46,180 SF		
0309	8161000000-E	420	GROOVING BRIDGE FLOORS	85,010.6 SF		
0310	8182000000-E	420	CLASS A CONCRETE (BRIDGE)	962.4 CY		
0311	8210000000-N	422	BRIDGE APPROACH SLABS, STATION ***** (177+61.31 -NBL-)	Lump Sum	L.S.	
0312	8210000000-N	422	BRIDGE APPROACH SLABS, STATION ***** (21+34.80 -Y5 SBL-)	Lump Sum	L.S.	
0313	8210000000-N	422	BRIDGE APPROACH SLABS, STATION ***** (22+06.96 -Y1-)	Lump Sum	L.S.	
0314	8210000000-N	422	BRIDGE APPROACH SLABS, STATION ***** (419+67.07 -SBL-)	Lump Sum	L.S.	
0315	8210000000-N	422	BRIDGE APPROACH SLABS, STATION ***** (421+29.07 -NBL)	Lump Sum	L.S.	
0316	8217000000-E	425	REINFORCING STEEL (BRIDGE)	135,040 LB		
0317	8238000000-E	425	SPIRAL COLUMN REINFORCING STEEL (BRIDGE)	2,240 LB		
0318	8265000000-E	430	54" PRESTRESSED CONCRETE GIRDERS	880.31 LF		
0319	8274000000-E	430	MODIFIED 63" PRESTRESSED CONC GIRDERS	1,601.83 LF		

County : Vance, Warren

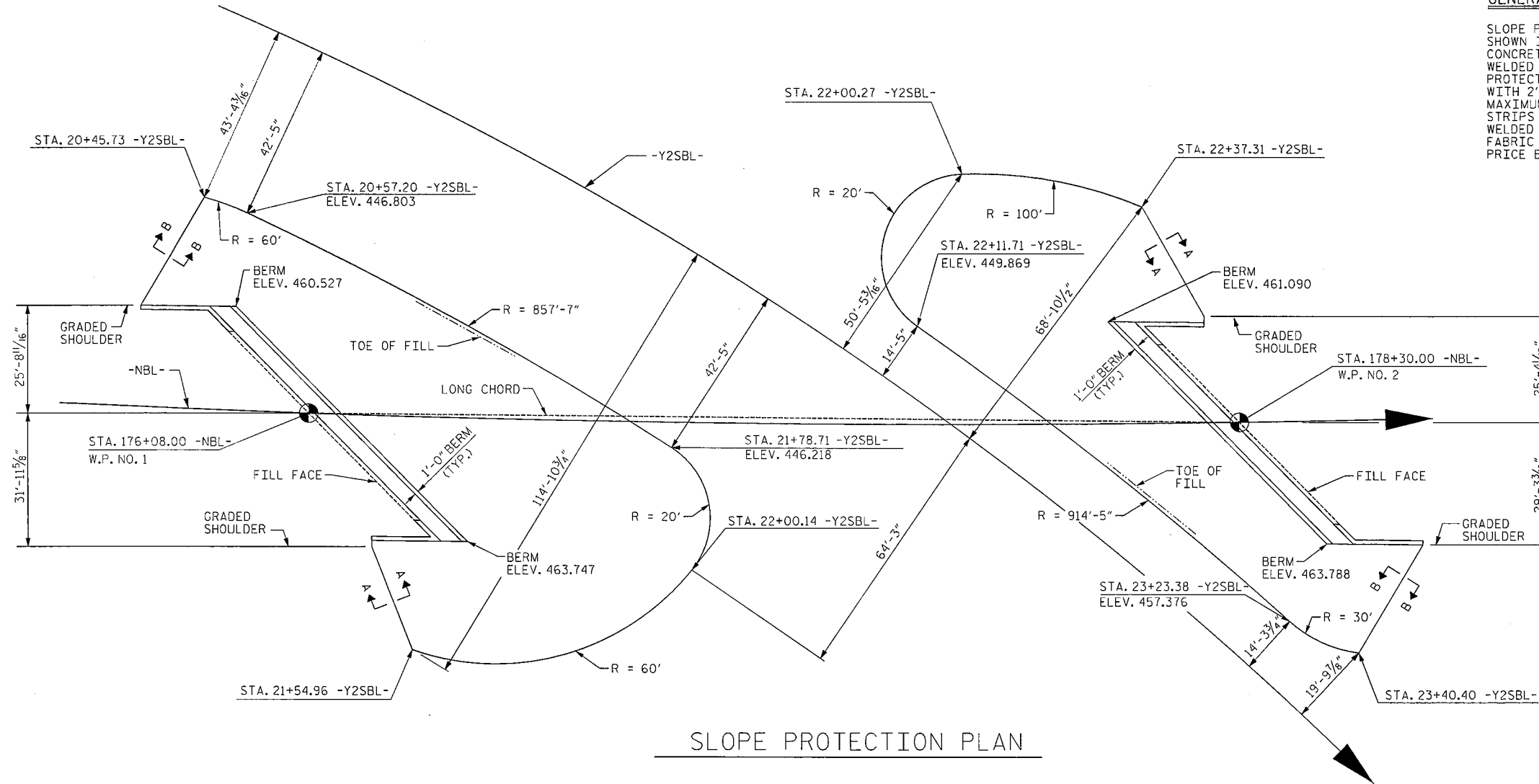
Line #	Item Number	Sec #	Description	Quantity	Unit Cost	Amount
0320	8277000000-E	430	MODIFIED 72" PRESTRESSED CONC GIRDERS	1,162.29 LF		
0321	8280000000-E	440	APPROX LBS STRUCTURAL STEEL	731,100 LS		
0322	8350000000-E	450	24" PRESTRESSED CONCRETE PILES	946 LF		
0323	8364000000-E	450	HP12X53 STEEL PILES	3,780 LF		
0324	8384000000-E	450	HP14X73 STEEL PILES	741 LF		
0325	8391000000-N	450	STEEL PILE POINTS	64 EA		
0326	8393000000-N	450	PILE REDRIVES	10 EA		
0327	8503000000-E	460	CONCRETE BARRIER RAIL	1,437.51 LF		
0328	8531000000-E	462	4" SLOPE PROTECTION	3,634 SY		
0329	8573000000-E	SP	LATEX MODIFIED CONC OVERLAY	238.1 CY		
0330	8580000000-E	SP	PLACING & FINISHING OF LATEX MODIFIED CONC OVERLAY	4,228.6 SY		
0331	8654000000-N	SP	DISC BEARINGS	Lump Sum	L.S.	
0332	8657000000-N	430	ELASTOMERIC BEARINGS	Lump Sum	L.S.	
0333	8660000000-E	SP	CONCRETE REPAIRS	599.5 CF		
0334	8664000000-E	SP	SHOTCRETE REPAIRS	383.2 CF		
0335	8678000000-E	SP	EPOXY RESIN INJECTION	276 LF		
0336	8692000000-N	SP	FOAM JOINT SEALS	Lump Sum	L.S.	
0337	8706000000-N	SP	EXPANSION JOINT SEALS	Lump Sum	L.S.	
0338	8860000000-N	SP	GENERIC STRUCTURE ITEM CLEANING & REPAINTING OF BRIDGE #57	Lump Sum	L.S.	

County : Vance, Warren

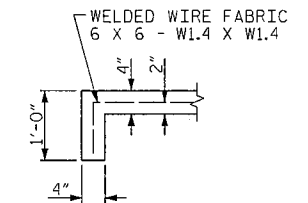
Line #	Item Number	Sec #	Description	Quantity	Unit Cost	Amount
0339	8860000000-N	SP	GENERIC STRUCTURE ITEM PAINTING CONTAINMENT FOR BRIDGE #57	Lump Sum	L.S.	
0340	8860000000-N	SP	GENERIC STRUCTURE ITEM POLLUTION CONTROL	Lump Sum	L.S.	
0341	8867000000-E	SP	GENERIC STRUCTURE ITEM CLASSIC CONCRETE BRIDGE RAIL	404.08 LF		
0342	8889000000-E	SP	GENERIC STRUCTURE ITEM STRUCTURAL STEEL GIRDER REPAIR	1,000 LB		
0343	8892000000-E	SP	GENERIC STRUCTURE ITEM BRIDGE JOINT DEMOLITION	619.38 SF		
0344	8892000000-E	SP	GENERIC STRUCTURE ITEM EPOXY COATING	2,745 SF		
0345	8893000000-E	SP	GENERIC STRUCTURE ITEM HYDRO-DEMOLITION OF BRIDGE DECK	4,217.6 SY		
0346	8893000000-E	SP	GENERIC STRUCTURE ITEM INCIDENTAL MILLING	1,326.6 SY		
0347	8893000000-E	SP	GENERIC STRUCTURE ITEM SCARIFYING BRIDGE DECK	4,217.6 SY		
0348	8897000000-N	SP	GENERIC STRUCTURE ITEM BRIDGE JACKING BRIDGE #57	2 EA		
0349	8897000000-N	SP	GENERIC STRUCTURE ITEM TEMPORARY WORK PLATFORM	2 EA		
1351/Mar06/Q8118344.85/D1526127435000/E349			Total Amount Of Bid For Entire Project :			

GENERAL NOTES

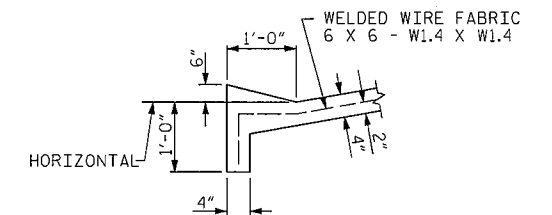
SLOPE PROTECTION SHALL CONSIST OF 4" POURED-IN-PLACE CONCRETE PAVING AS SHOWN IN THE DETAILS ON THIS SHEET. CONCRETE SHALL BE CLASS "B". THE CONCRETE SURFACE SHALL BE FLOATED WITH A WOODEN FLOAT AND FINISHED. WELDED WIRE FABRIC REINFORCING SHALL BE 6 X 6 - W1.4 X W1.4, 60" WIDE. SLOPE PROTECTION SHALL BE POURED IN 5' STRIPS AS SHOWN IN THE "POURING DETAIL" WITH 2'-0" LONG #4 BARS PLACED ALONG THE SLOPE BETWEEN STRIPS AT 1'-6" MAXIMUM SPACING. SLOPE PROTECTION MAY BE POURED IN ALTERNATE 4' AND 5' STRIPS AS SHOWN IN THE "OPTIONAL POURING DETAIL" WITH ADJACENT RUNS OF WELDED WIRE FABRIC LAPPING AT LEAST 6". THE COST OF THE WELDED WIRE FABRIC AND #4 BARS, IF USED, SHALL BE INCLUDED IN THE CONTRACT UNIT PRICE BID PER SQUARE YARD FOR SLOPE PROTECTION.



SLOPE PROTECTION PLAN



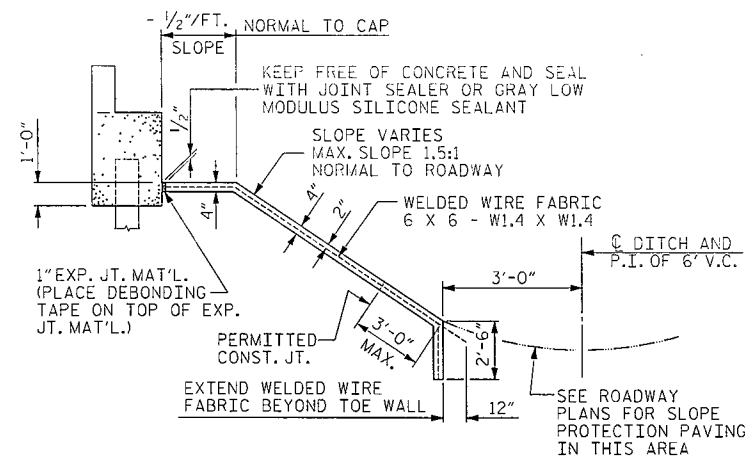
SECTION A-A



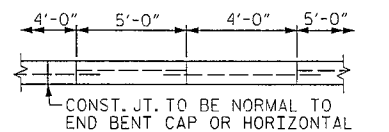
SECTION B-B

BRIDGE @ STA. 177+61.31 -NBL-	4 INCH SLOPE PROTECTION	* WELDED WIRE FABRIC 60 INCHES WIDE
	SQUARE YARDS	APPROX. L.F.
END BENT 1	777	1892.7
END BENT 2	625	1528.2

* QUANTITY SHOWN IS BASED ON 5' POURS.

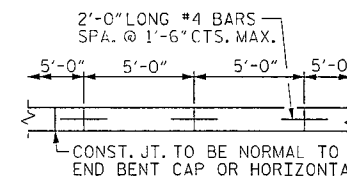


SECTION ALONG C ROADWAY WHEN FILL CATCHES IN DITCH



POUR A 4'-0" STRIP FIRST. STRIP WIDTHS MAY VARY IN CURVED PORTION.

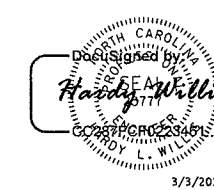
OPTIONAL POURING DETAIL



STRIP WIDTHS MAY VARY IN CURVED PORTION.

POURING DETAIL

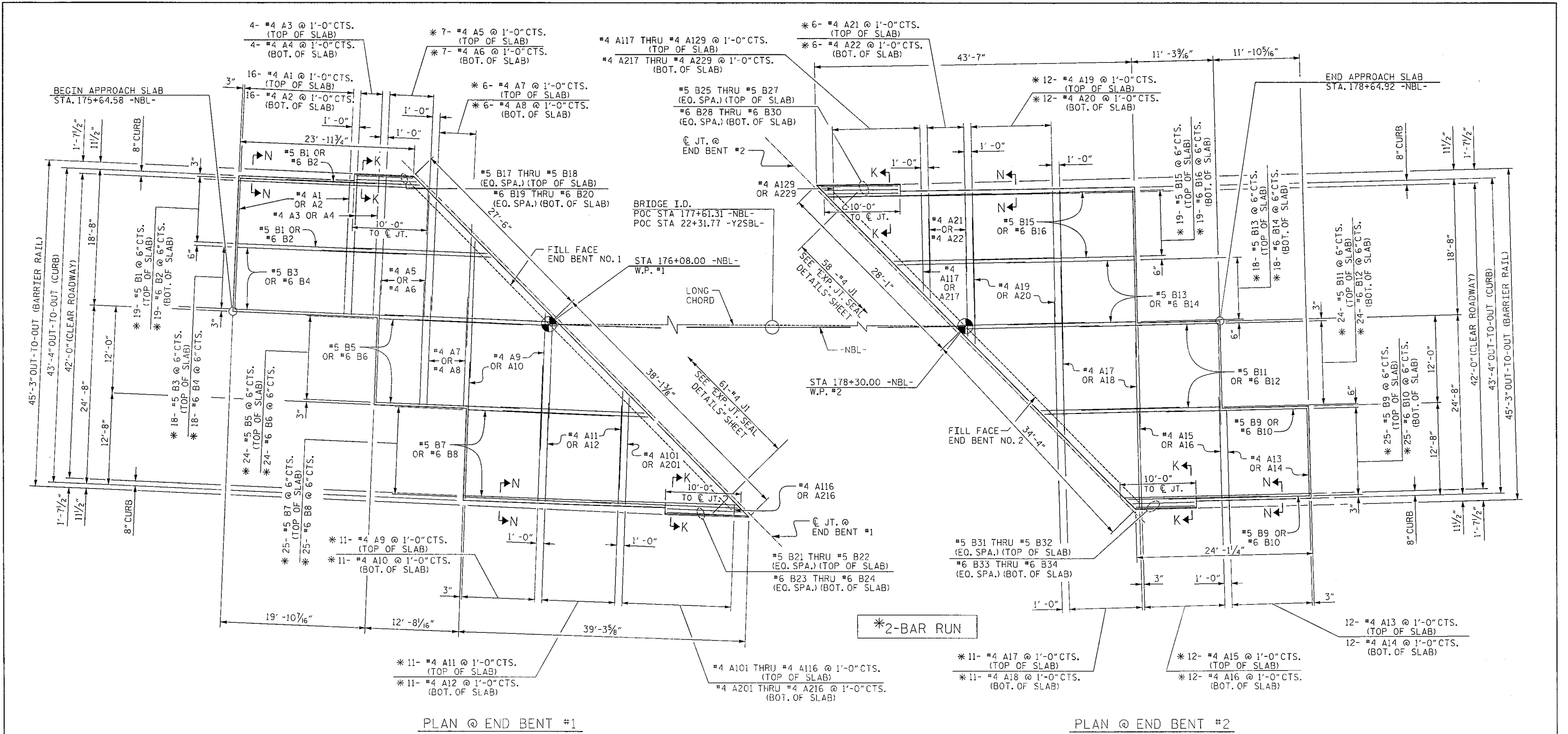
PROJECT NO. I-0914BA
VANCE COUNTY
 STATION: 177+61.31 -NBL-
22+31.77 -Y2SBL-



STATE OF NORTH CAROLINA
 DEPARTMENT OF TRANSPORTATION
 RALEIGH
STANDARD
SLOPE PROTECTION
DETAILS

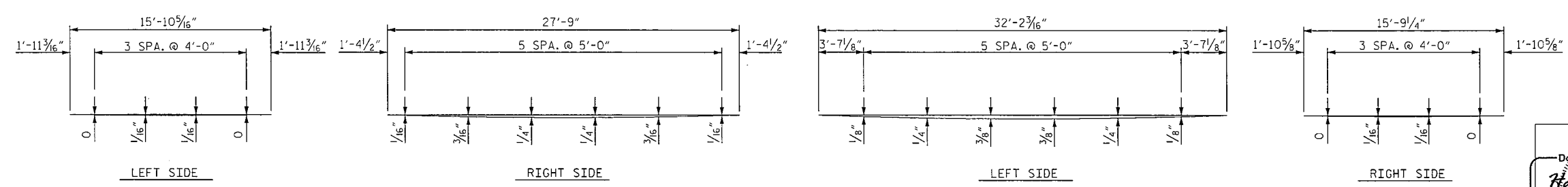
ASSEMBLED BY : MAF	DATE : 5/14
CHECKED BY : HLW	DATE : 5/14
DRAWN BY : ELR 5/92	REV. 5/1/06 TLA/GM
CHECKED BY : GRP 6/92	REV. 10/1/11 MAA/GM
	REV. 12/21/11 MAA/GM

SHEET 34 OF 37	REVISIONS				SHEET NO.
DWN. BY: MAF	NO.	BY:	DATE:	NO.	DATE:
CHKD. BY: HLW	1		5/14	3	5/14
DES. EGR. OF RECORD: RTS	2		5/14	4	5/14
	TOTAL SHEETS				177



PLAN @ END BENT #1

PLAN @ END BENT #2



END BENT #1

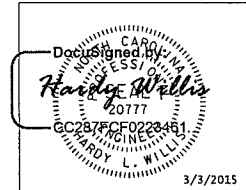
END BENT #2

ARC OFFSETS FOR APPROACH SLABS

NOTE: SEGMENT UNDER BARRIER RAIL EXCLUDED

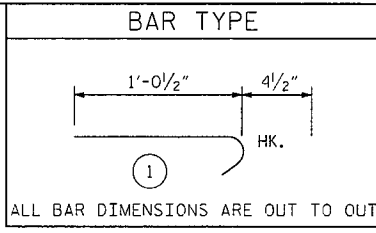
PROJECT NO. I-0914BA
 VANCE COUNTY
 STATION: 177+61.31 -NBL-
 22+31.77 -Y2SBL-
 SHEET 1 OF 3

STATE OF NORTH CAROLINA
 DEPARTMENT OF TRANSPORTATION
 RALEIGH
 STANDARD
 BRIDGE APPROACH SLAB
 FOR RIGID PAVEMENT



ASSEMBLED BY: MAF	DATE: 5/14
CHECKED BY: HLW	DATE: 5/14
DRAWN BY: RH 5/99	REV. 10/1/11 MAA/GM
CHECKED BY: RDR 5/99	REV. 12/2/11 MAA/GM
	REV. 6/13 MAA/GM

SHEET 35 OF 37	REVISIONS	SHEET NO. S-83
DWN. BY: MAF	NO. 1	TOTAL SHEETS 177
CHKD. BY: HLW	DATE: 5/14	
DES. EGR. OF RECORD: RTS	DATE: 5/14	



SPlice LENGTHS		
BAR SIZE	EPOXY COATED	UNCOATED
#4	2'-0"	1'-9"
#5	2'-6"	2'-2"
#6	3'-10"	2'-7"

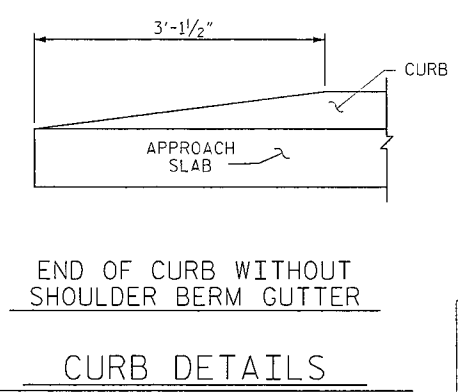
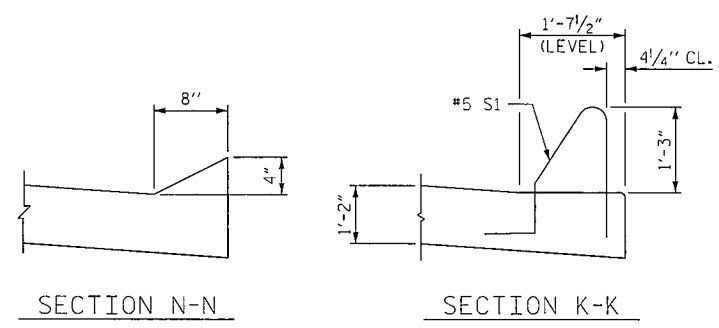
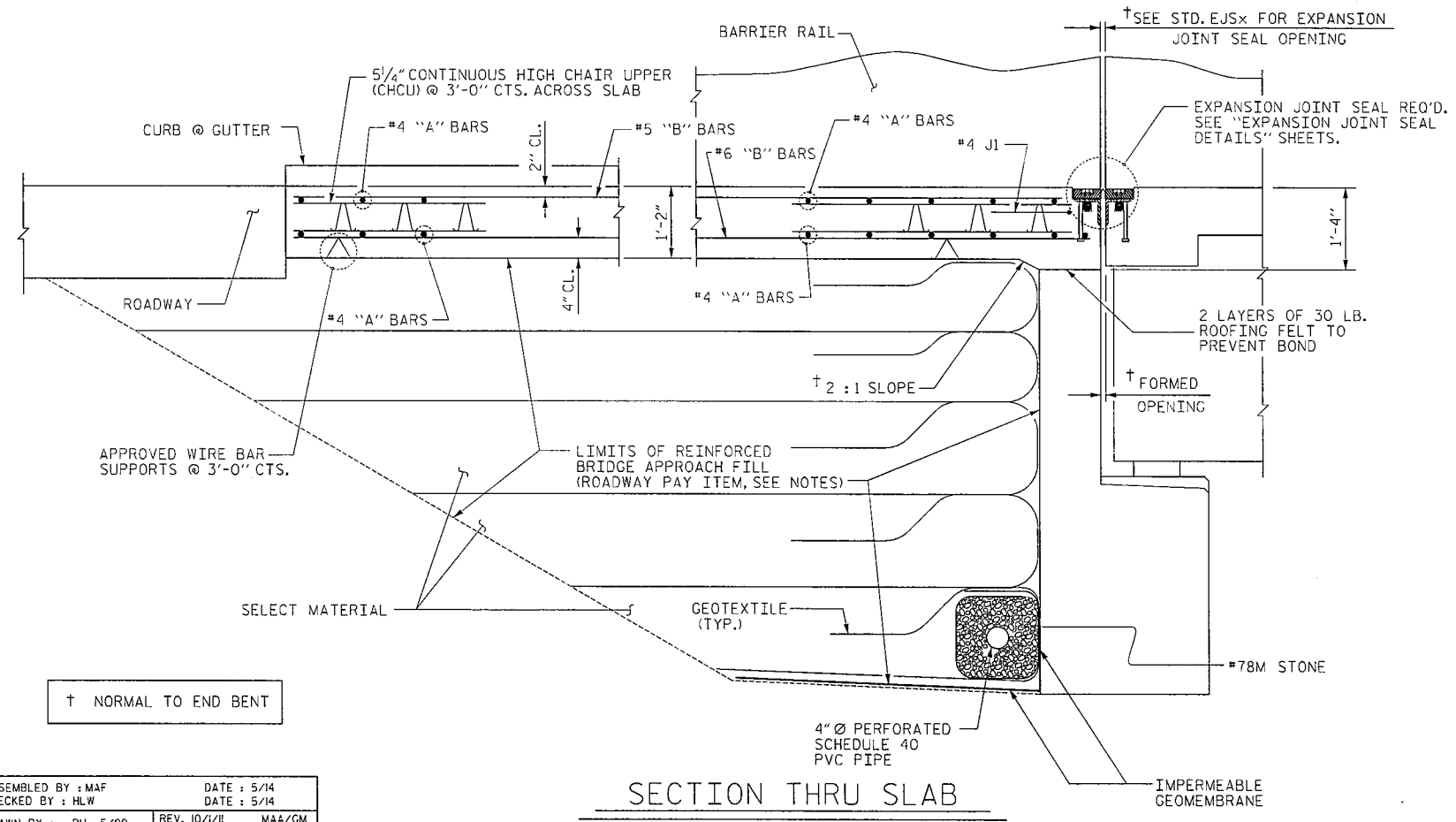
BILL OF MATERIAL - APPROACH SLAB AT END BENT #1																							
BAR	NO.	SIZE	TYPE	LENGTH	WEIGHT	BAR	NO.	SIZE	TYPE	LENGTH	WEIGHT	BAR	NO.	SIZE	TYPE	LENGTH	WEIGHT	BAR	NO.	SIZE	TYPE	LENGTH	WEIGHT
*A1	16	#4	STR	18'-4"	196	*A105	1	#4	STR	10'-10"	7	A205	1	#4	STR	10'-10"	7	*B5	48	#5	STR	19'-9"	989
A2	16			18'-4"	196	*A106	1			9'-11"	7	A206	1			9'-11"	7	B6	48	#6		19'-9"	1424
*A3	4			19'-3"	51	*A107	1			9'-11"	7	A207	1			9'-11"	7	*B7	50	#5		20'-1"	1047
A4	4			19'-3"	51	*A108	1			8'-11"	6	A208	1			8'-11"	6	B8	50	#6		20'-1"	1508
*A5	14			16'-8"	156	*A109	1			8'-0"	5	A209	1			8'-0"	5	*B17	1	#5		7'-9"	8
A6	14			16'-7"	155	*A110	1			7'-1"	5	A210	1			7'-1"	5	*B18	1	#5		8'-4"	9
*A7	12			15'-1"	121	*A111	1			6'-1"	4	A211	1			6'-1"	4	B19	1	#6		7'-9"	12
A8	12			15'-1"	121	*A112	1			5'-2"	3	A212	1			5'-2"	3	B20	1	#6		8'-4"	13
*A9	22			18'-10"	277	*A113	1			4'-2"	3	A213	1			4'-2"	3	*B21	1	#5		10'-2"	11
A10	22			18'-10"	277	*A114	1			3'-3"	2	A214	1			3'-3"	2	*B22	1	#5		10'-9"	11
*A11	22			13'-7"	200	*A115	1			2'-3"	2	A215	1			2'-3"	2	B23	1	#6		10'-2"	15
A12	22	#4	STR	13'-7"	200	*A116	1	#4	STR	1'-4"	1	A216	1	#4	STR	1'-4"	1	B24	1	#6	STR	10'-9"	16
*A101	1	#4	STR	14'-8"	10	A201	1	#4	STR	14'-8"	10	*B1	38	#5	STR	18'-6"	733	*J1	61	#4	①	1'-5"	58
*A102	1	#4	STR	13'-8"	9	A202	1	#4	STR	13'-8"	9	B2	38	#6	STR	18'-6"	1056						
*A103	1	#4	STR	12'-9"	9	A203	1	#4	STR	12'-9"	9	*B3	36	#5	STR	23'-4"	876						
*A104	1	#4	STR	11'-10"	8	A204	1	#4	STR	11'-10"	8	B4	36	#6	STR	23'-4"	1262						

APPROACH SLAB AT EB #1	
REINFORCING STEEL	6394 LBS.
*EPOXY COATED REINFORCING STEEL	4831 LBS.
CLASS AA CONCRETE	63.3 C. Y.

BILL OF MATERIAL - APPROACH SLAB AT END BENT #2																							
BAR	NO.	SIZE	TYPE	LENGTH	WEIGHT	BAR	NO.	SIZE	TYPE	LENGTH	WEIGHT	BAR	NO.	SIZE	TYPE	LENGTH	WEIGHT	BAR	NO.	SIZE	TYPE	LENGTH	WEIGHT
*A13	12	#4	STR	12'-4"	99	*A121	1	#4	STR	10'-3"	7	A222	1	#4	STR	9'-2"	6	*B15	38	#5	STR	22'-1"	875
A14	12			12'-4"	99	*A122	1			9'-2"	6	A223	1			8'-2"	5	B16	38	#6	STR	22'-1"	1260
*A15	24			13'-8"	219	*A123	1			8'-2"	5	A224	1			7'-1"	5						
A16	24			13'-7"	218	*A124	1			7'-1"	5	A225	1			6'-0"	4	*B25	1	#5	STR	10'-7"	11
*A17	22			22'-9"	334	*A125	1			6'-0"	4	A226	1			5'-0"	3	*B26	1	#5		10'-1"	11
A18	22			22'-9"	334	*A126	1			5'-0"	3	A227	1			3'-11"	3	*B27	1	#5		9'-7"	10
*A19	24			17'-4"	278	*A127	1			3'-11"	3	A228	1			2'-10"	2	B28	1	#6		10'-7"	16
A20	24			17'-4"	278	*A128	1			2'-10"	2	A229	1	#4	STR	1'-10"	1	B29	1	#6		10'-1"	15
*A21	12			11'-0"	88	*A129	1	#4	STR	1'-10"	1							B30	1	#6		9'-7"	14
A22	12	#4	STR	11'-0"	88							*B9	50	#5	STR	19'-4"	1008	*B31	1	#5		8'-5"	9
						A217	1	#4	STR	13'-6"	9	B10	50	#6		19'-4"	1452	*B32	1	#5		8'-0"	8
*A117	1	#4	STR	13'-6"	9	A218	1			12'-6"	8	*B11	48	#5		19'-0"	951	B33	1	#6		8'-5"	13
*A118	1	#4	STR	12'-6"	8	A219	1			11'-5"	8	B12	48	#6		19'-0"	1370	B34	1	#6	STR	8'-0"	12
*A119	1	#4	STR	11'-5"	8	A220	1			10'-4"	7	*B13	36	#5		17'-7"	660						
*A120	1	#4	STR	10'-4"	7	A221	1	#4	STR	10'-3"	7	B14	36	#6	STR	17'-7"	951	*J1	58	#4	①	1'-5"	55

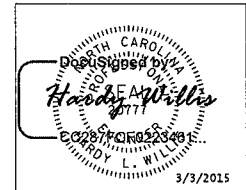
APPROACH SLAB AT EB #2	
REINFORCING STEEL	6188 LBS.
*EPOXY COATED REINFORCING STEEL	4684 LBS.
CLASS AA CONCRETE	61.6 C. Y.

QUANTITIES FOR BARRIER RAIL ARE NOT INCLUDED. SEE SHEET 3 OF 3.



PROJECT NO. I-0914BA
 VANCE COUNTY
 STATION: 177+61.31 -NBL-
 22+31.77 -Y2SBL-
 SHEET 2 OF 3

STATE OF NORTH CAROLINA
 DEPARTMENT OF TRANSPORTATION
 RALEIGH
 STANDARD
 BRIDGE APPROACH SLAB
 FOR RIGID PAVEMENT



ASSEMBLED BY: MAF	DATE: 5/14
CHECKED BY: HLW	DATE: 5/14
DRAWN BY: RH 5/99	REV. 10/11/11 MAA/GM
CHECKED BY: RDR 5/99	REV. 12/21/11 MAA/GM
	REV. 6/13 MAA/GM

SHEET 36 OF 37		REVISIONS				SHEET NO.
NO.	BY:	DATE:	NO.	BY:	DATE:	S-84
1	MAF	5/14	3			TOTAL SHEETS 177
2	HLW	5/14	4			
	RTS	5/14				

*****SYSTEM*****
 *****USER*****

NOTES

APPROACH SLAB SHALL NOT BE CONSTRUCTED PRIOR TO COMPLETION OF THE BRIDGE DECK.

FOR REINFORCED BRIDGE APPROACH FILL INCLUDING GEOTEXTILE, IMPERMEABLE GEOMEMBRANE, 4" Ø DRAINAGE PIPE, #78M STONE, AND SELECT MATERIAL, SEE ROADWAY PLANS.

AREA BETWEEN THE WINGWALL AND APPROACH SLAB SHALL BE GRADED TO DRAIN THE WATER AWAY FROM THE FILL FACE OF THE BRIDGE AND SHALL BE PAVED. SEE ROADWAY PLANS.

FOR EXPANSION JOINT SEALS, SEE SPECIAL PROVISIONS.

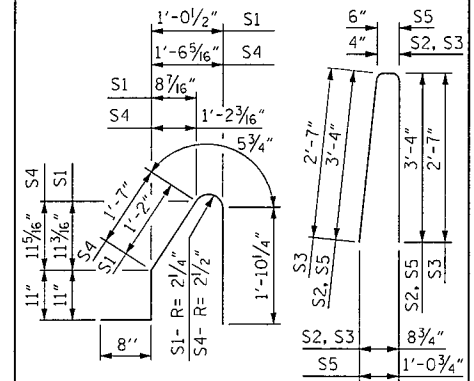
THE COST OF THE BARRIER RAIL ON THE APPROACH SLAB SHALL BE INCLUDED IN THE LINEAR FOOT CONTRACT PRICE BID FOR "CONCRETE BARRIER RAIL".

THE BARRIER RAIL ON EACH APPROACH SLAB SHALL NOT BE CAST UNTIL ALL APPROACH SLAB CONCRETE HAS BEEN CAST AND HAS REACHED A MINIMUM COMPRESSIVE STRENGTH OF 3,000 PSI.

ALL REINFORCING STEEL IN BARRIER RAILS SHALL BE EPOXY COATED.

THE QUANTITY OF #4 JI BARS ON THE BILL OF MATERIAL IS BASED ON 1'-0" CENTERS. JI BARS SHALL BE PLACED AT EACH VERTICAL STUD ANCHOR BOLT. IN THE EVENT THAT THE NUMBER OF VERTICAL STUD ANCHORS EXCEEDS THE NUMBER OF JI BARS SPECIFIED, ADDITIONAL JI BARS WILL NOT BE REQUIRED.

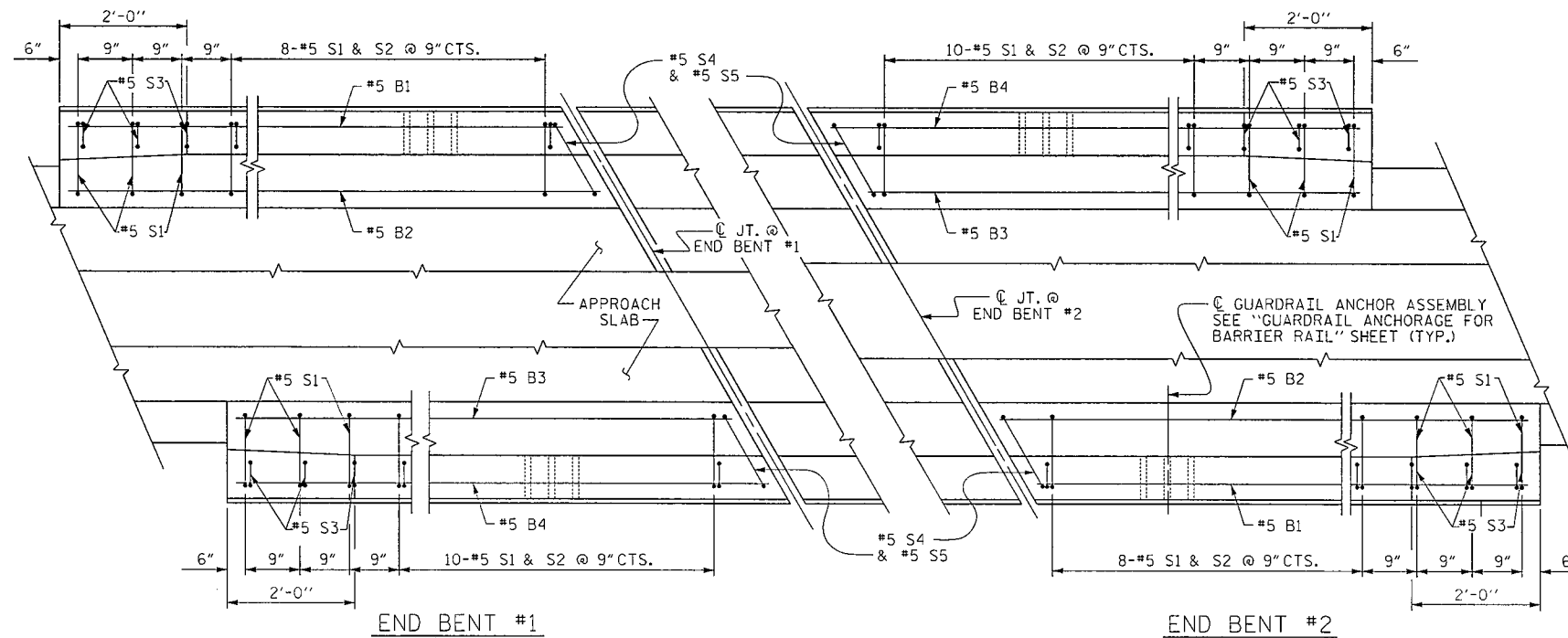
BAR TYPES



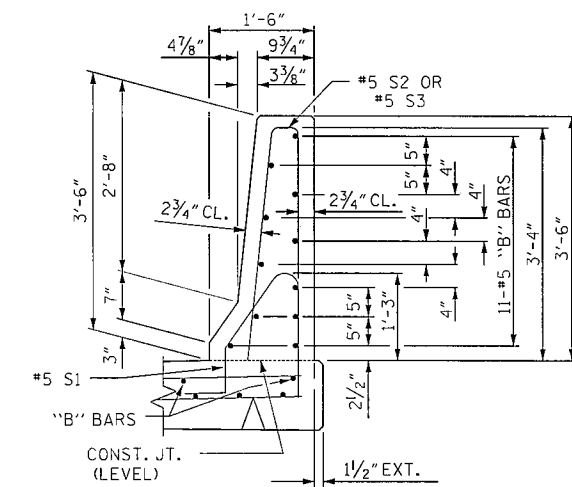
ALL BAR DIMENSIONS ARE OUT TO OUT.

BILL OF MATERIAL

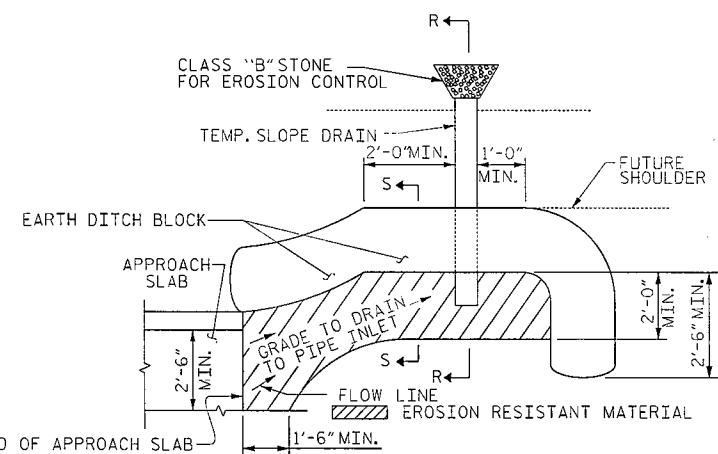
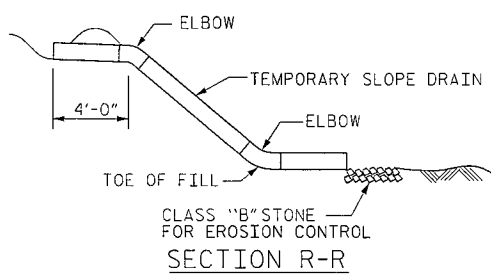
BARRIER RAIL ONLY					
BAR NO.	NO.	SIZE	TYPE	LENGTH	WEIGHT
*B1	11	#5	STR	7'-11"	91
*B2	11	#5	STR	9'-1"	104
*B3	11	#5	STR	9'-6"	109
*B4	11	#5	STR	10'-6"	120
*S1	48	#5	1	5'-1"	254
*S2	36	#5	2	7'-0"	263
*S3	12	#5	2	5'-6"	69
*S4	4	#5	1	5'-6"	23
*S5	4	#5	2	7'-2"	30
*EPOXY COATED REINFORCING STEEL				1063	LBS.
CLASS AA CONCRETE				5.4	C. Y.
CONCRETE BARRIER RAIL				40.0	LIN. FT.



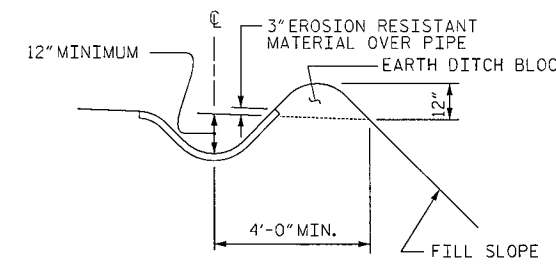
PLAN OF BARRIER RAIL



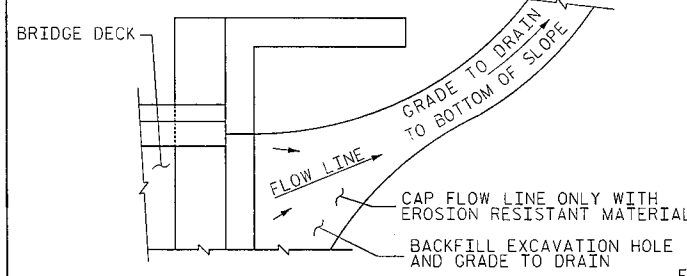
SECTION THRU RAIL



PLAN VIEW



SECTION S-S



NOTE: IF THE APPROACH SLAB IS NOT CONSTRUCTED IMMEDIATELY AFTER THE BACKFILLING OF THE END BENT EXCAVATION, GRADE TO DRAIN TO THE BOTTOM OF THE SLOPE AND PROVIDE EROSION RESISTANT MATERIAL, SUCH AS FIBERGLASS ROVING OR AS DIRECTED BY THE ENGINEER TO PREVENT SOIL EROSION AND TO PROTECT THE AREA ADJACENT TO THE STRUCTURE. THE CONTRACTOR WILL BE REQUIRED TO REMOVE THESE MATERIALS PRIOR TO CONSTRUCTION OF THE APPROACH SLAB.

NOTE: IMMEDIATELY AFTER THE CONSTRUCTION OF THE APPROACH SLAB, THE CONTRACTOR SHALL PROVIDE TEMPORARY BERM AND SLOPE DRAIN. CONTRACTOR SHALL GRADE TO PIPE INLET AND PROVIDE EROSION RESISTANT MATERIAL AS SHOWN. THE EROSION RESISTANT MATERIAL SHALL BE EITHER 1) ASPHALT PLANT MIX, TYPE 1 OR TYPE 2, MIN. 2" DEPTH, 2) EROSION CONTROL MAT, OR 3) CONCRETE, AS DIRECTED BY THE ENGINEER. THE SLOPE DRAIN SHALL CONSIST OF A NON-PERFORATED TEMPORARY DRAINAGE PIPE, 12 INCHES IN DIAMETER.

TEMPORARY BERM AND SLOPE DRAIN DETAILS

(TO BE USED WHEN SHOULDER BERM GUTTER IS REQUIRED)

ASSEMBLED BY : MAF	DATE : 5/14
CHECKED BY : HLW	DATE : 5/14
DRAWN BY : FCJ 11/88	REV. 10/11/11
CHECKED BY : ARB 11/88	REV. 7/12
	REV. 6/13
	MAA/GM
	MAA/GM
	MAA/GM

SHEET 37 OF 37		REVISIONS				SHEET NO.
DWN. BY: MAF	DATE: 5/14	NO.	BY:	DATE:		S-85
CHKD. BY: HLW	DATE: 5/14	1				TOTAL SHEETS 177
DES. EGR. OF RECORD: RTS	DATE: 5/14	2				



PROJECT NO. I-0914BA
 VANCE COUNTY
 STATION: 177+61.31 -NBL-
 22+31.77 -Y2SBL-
 SHEET 3 OF 3

STATE OF NORTH CAROLINA	
DEPARTMENT OF TRANSPORTATION	
RALEIGH	
STANDARD	
BRIDGE APPROACH SLAB DETAILS	