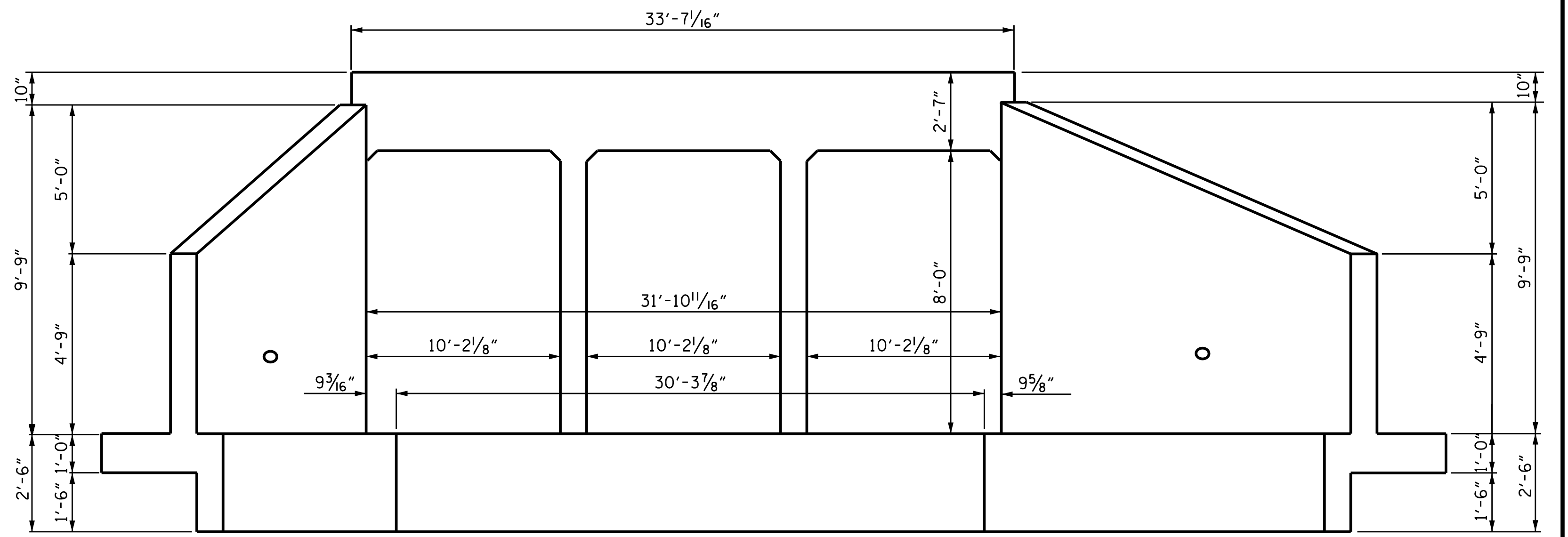
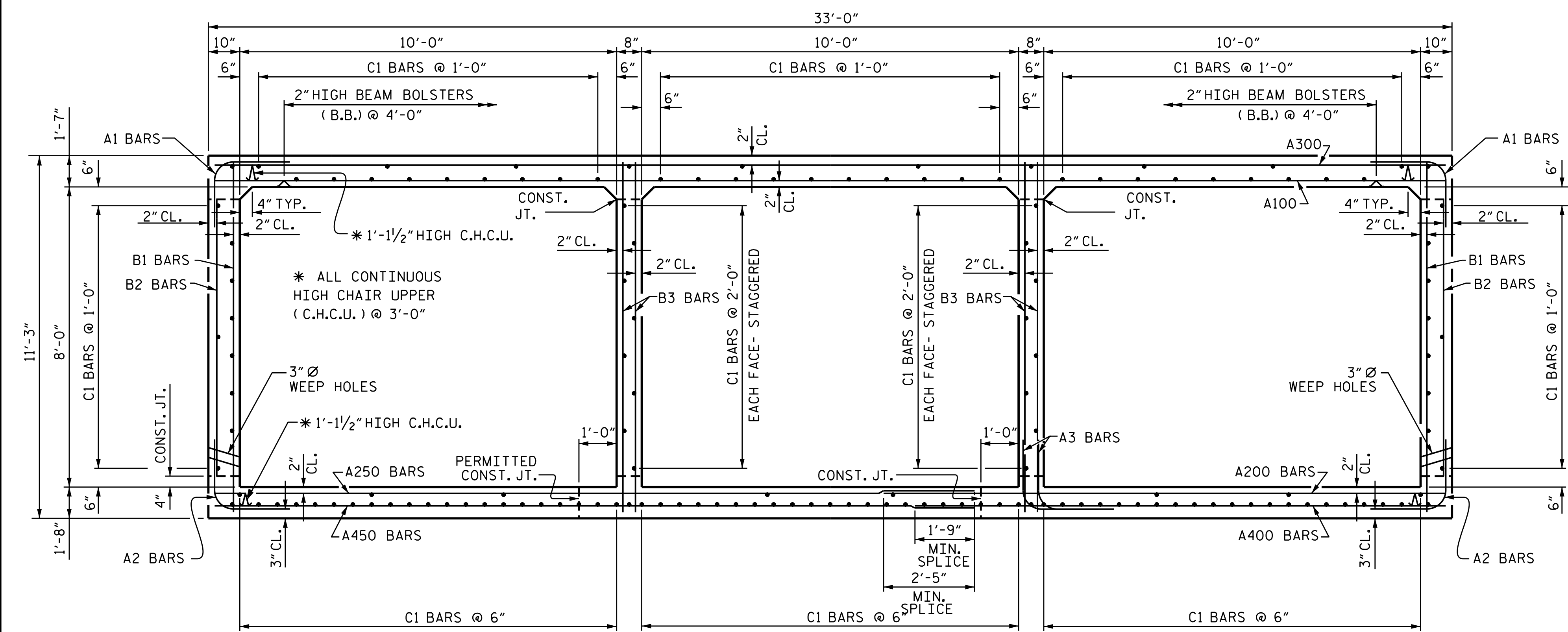


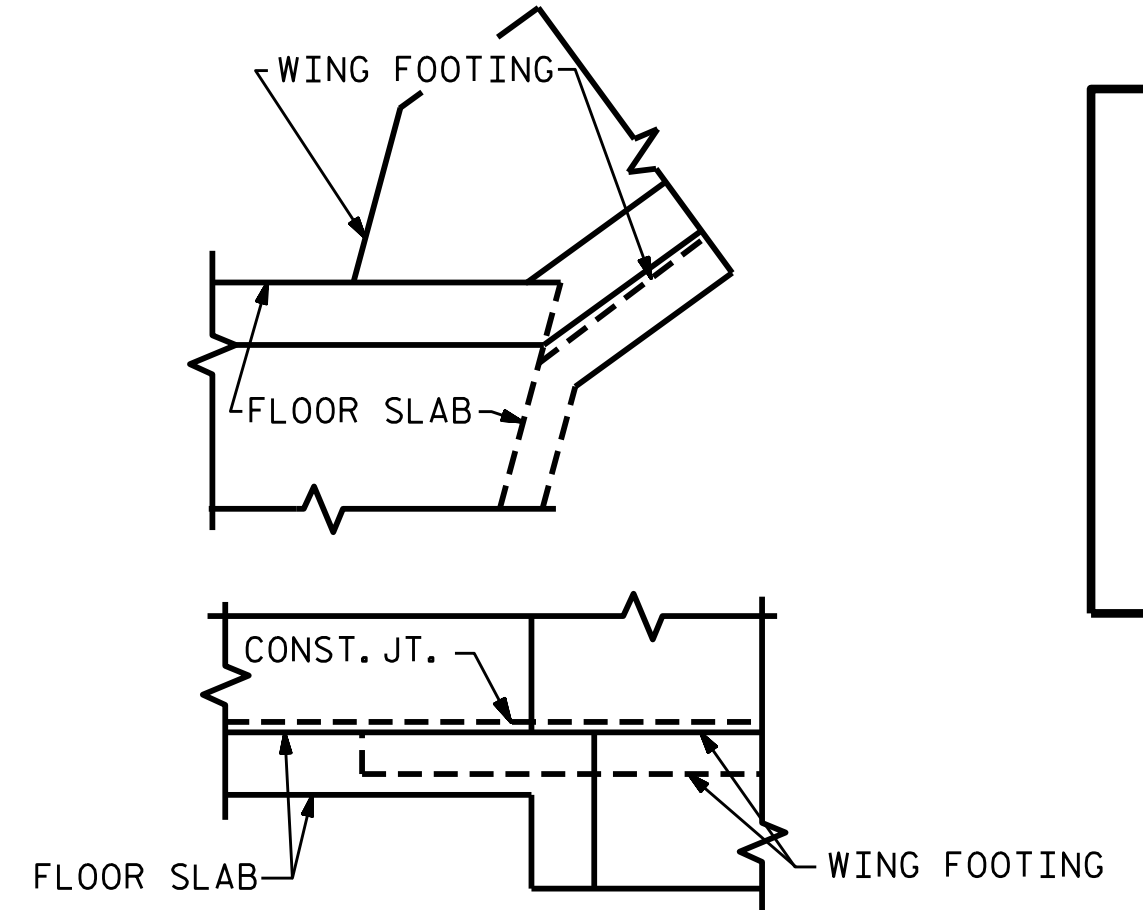
EXTERIOR WALL **INTERIOR WALL**
CULVERT SECTION NORMAL TO ROADWAY



END ELEVATION NORMAL TO SKEW
 LOOKING UPSTREAM



RIGHT ANGLE SECTION OF BARREL
 THERE ARE 147 "C" BARS IN SECTION OF BARREL
 (LOOKING UPSTREAM)
 (FOR STAGING, SEE SHEET 5 OF 6)



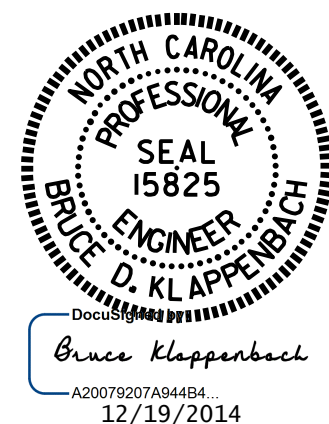
DETAIL
CONNECTION OF WING FOOTING
AND FLOOR SLAB WHEN SLAB
IS THICKER THAN FOOTING

I HEREBY CERTIFY THESE PLANS
 ARE THE AS-BUILT PLANS

PROJECT NO. R-2915D
ASHE COUNTY
 STATION: 660+64.00-L-

SHEET 2 OF 6

STATE OF NORTH CAROLINA DEPARTMENT OF TRANSPORTATION RALEIGH					
TRIPLE 10 FT. X 8 FT. CONCRETE BOX CULVERT					
1971					
REVISIONS					
NO.	BY:	DATE:	NO.	BY:	DATE:
1			3		
2			4		
					SHEET NO. C-2
					TOTAL SHEETS 6



DRAWN BY : H. I. BARBOUR DATE : 6-3-14
 CHECKED BY : B. N. GRADY DATE : 7-14
 DESIGN ENGINEER OF RECORD: RONG DEAN DATE : 11-14