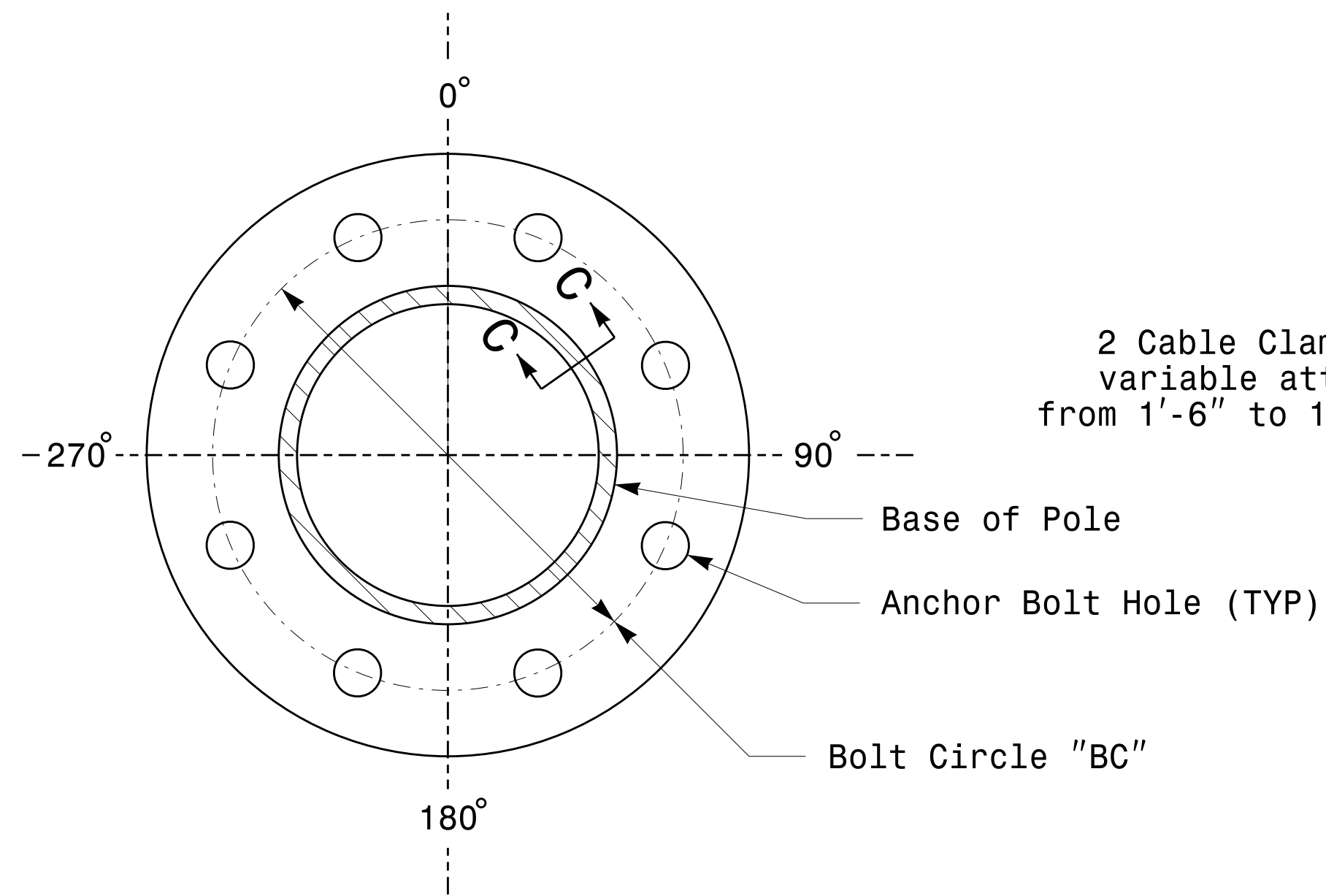
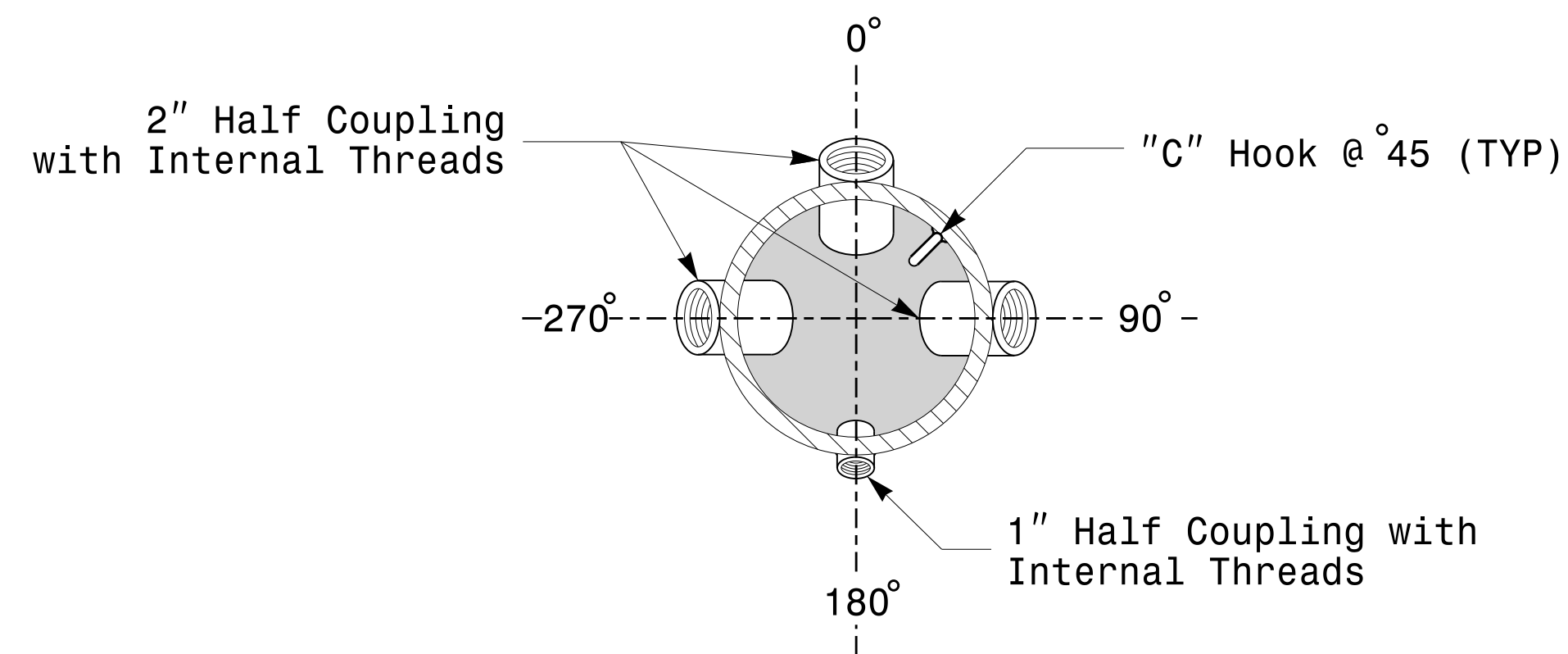


Cable Entrances at Top of Pole

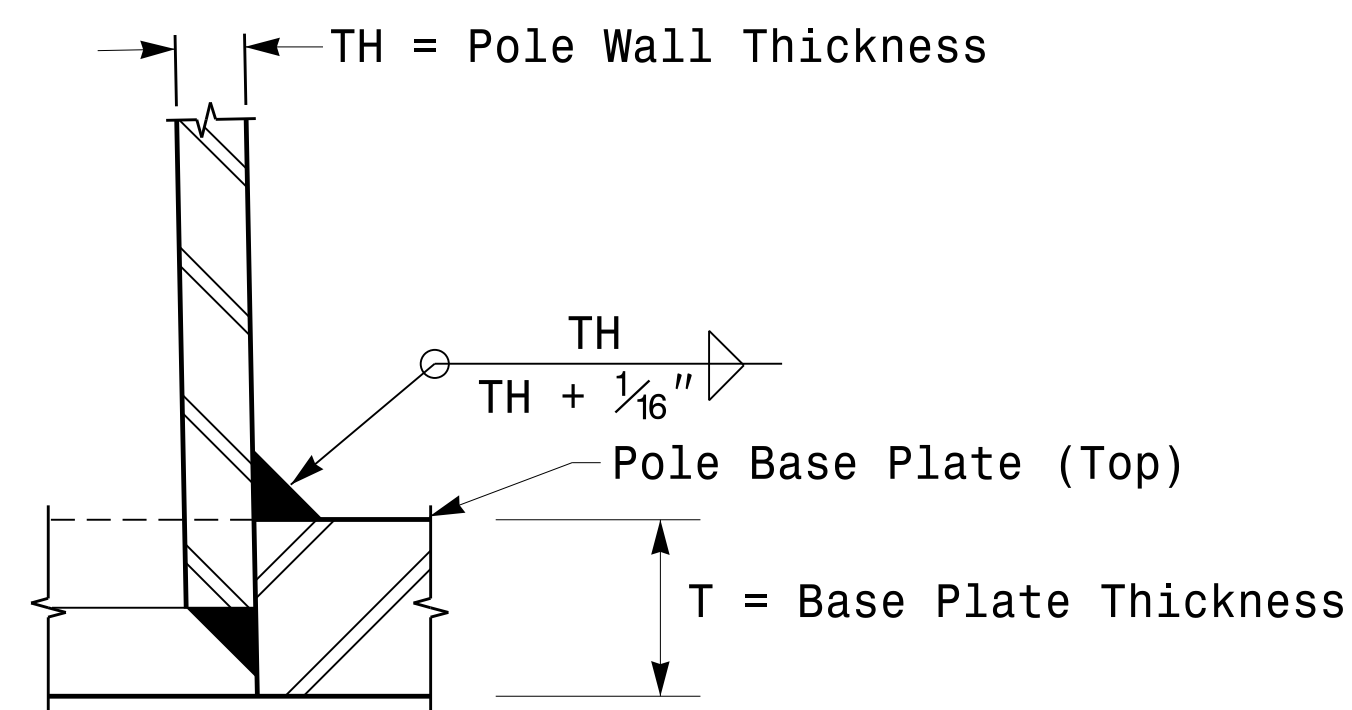


Section B-B Pole Base Plate
(See drawing M2)



Section A-A

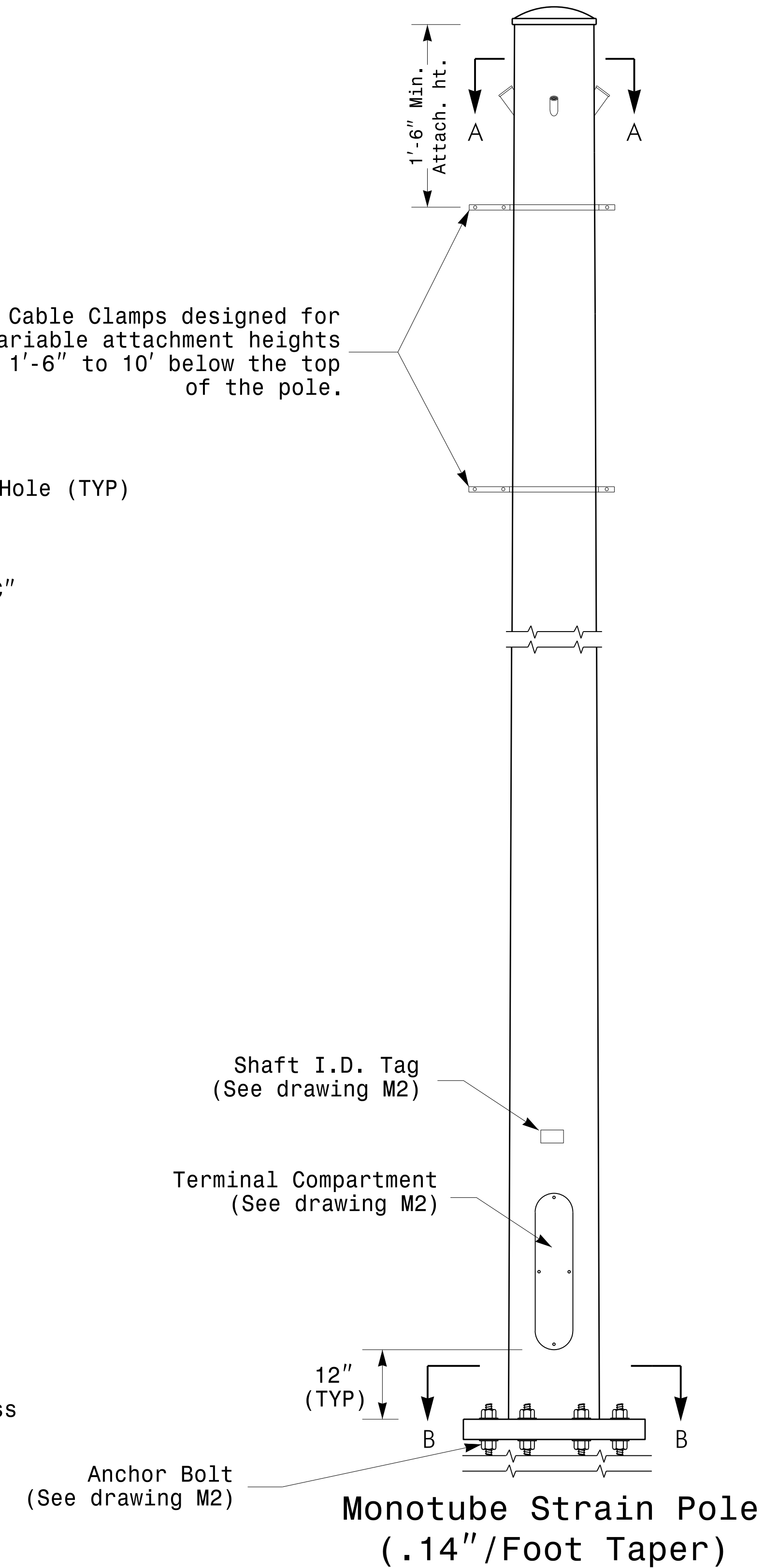
Radial Orientation for Factory Installed Accessories at Top of Pole



Section C-C

Socket Connection Weld Detail

2 Cable Clamps designed for variable attachment heights from 1'-6" to 10' below the top of the pole.



Fabrication Details - Strain Poles

26-AUG-2014 09:51 S:\TCS\Signal Design\Section\Eastern Region\M3_Fab_Details\Strain_Poles.dgn Top/11cmcy

<p>750 N. Greenfield Pkwy, Garner, NC 27529</p>	<p>Typical Fabrication Details For Strain Poles</p>		
	<p>PLAN DATE: AUGUST 2013</p> <p>PREPARED BY: N. BITTING</p> <p>SCALE: 0 NA NONE</p>	<p>DESIGNED BY: C.F. ANDREWS</p> <p>REVIEWED BY: D.C. SARKAR</p>	