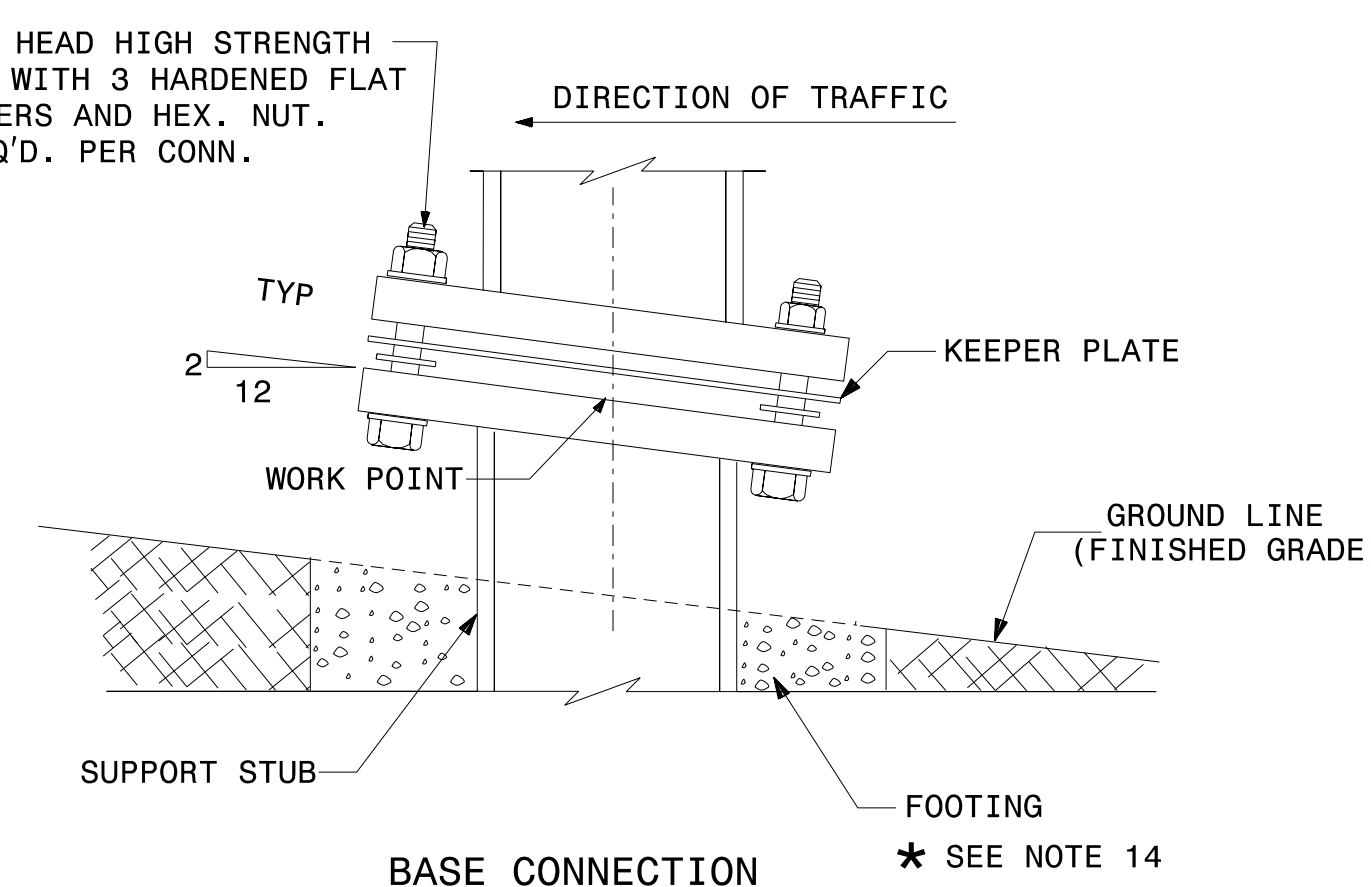
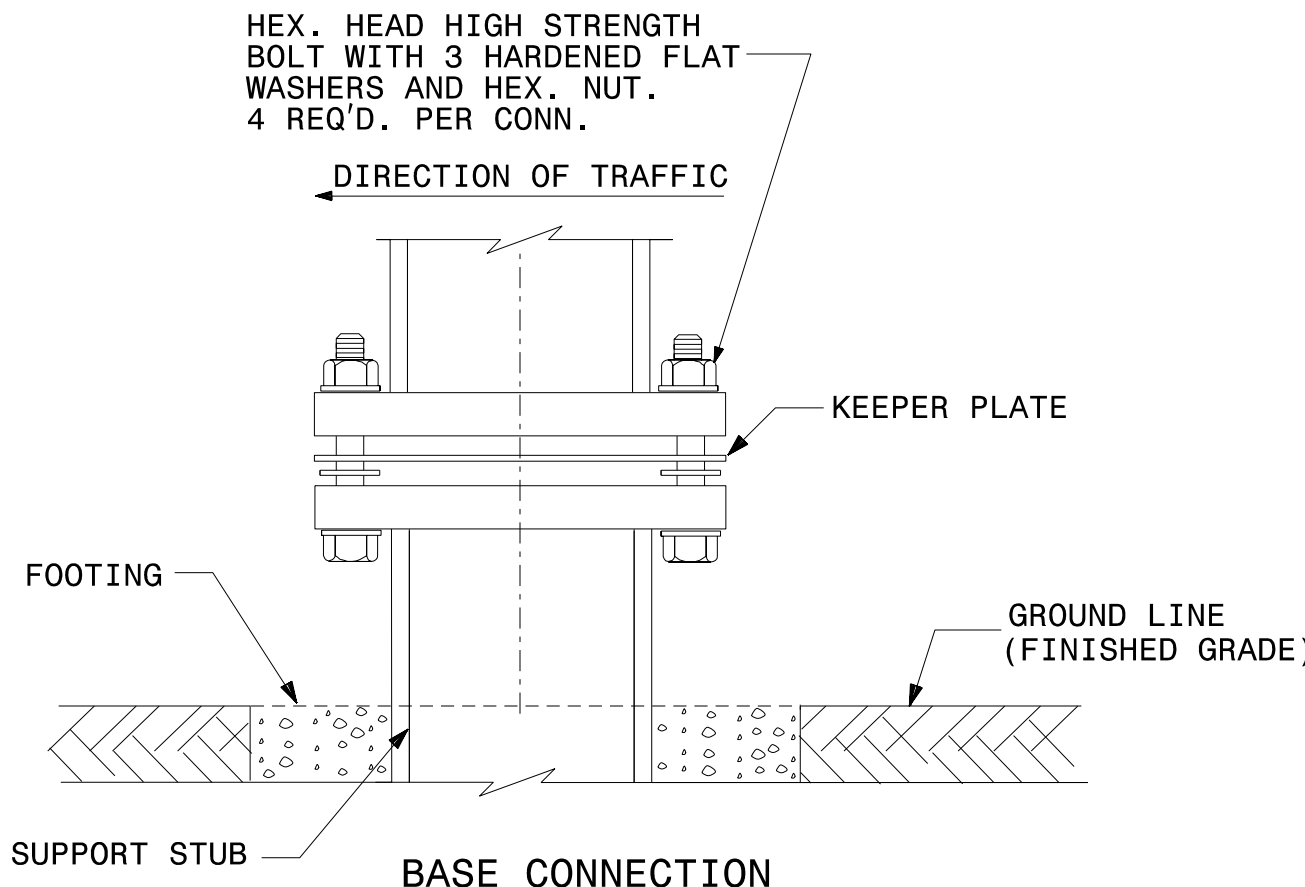
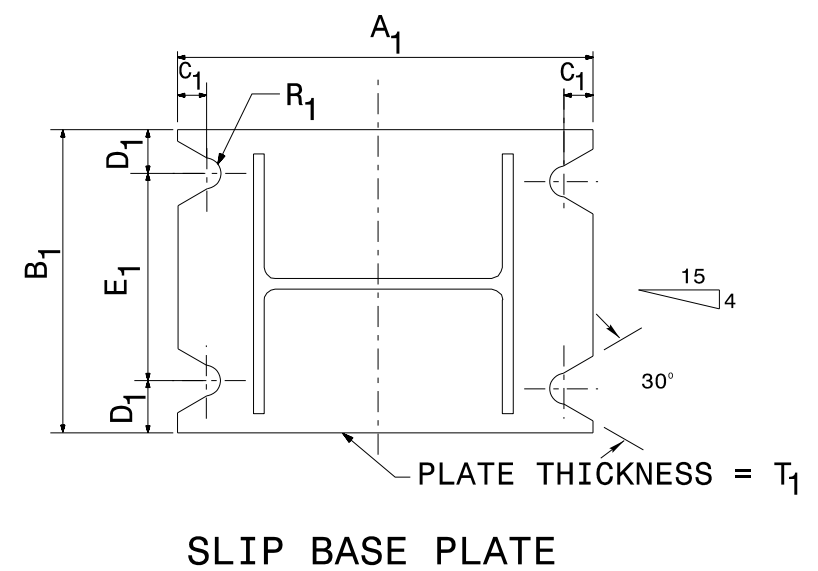
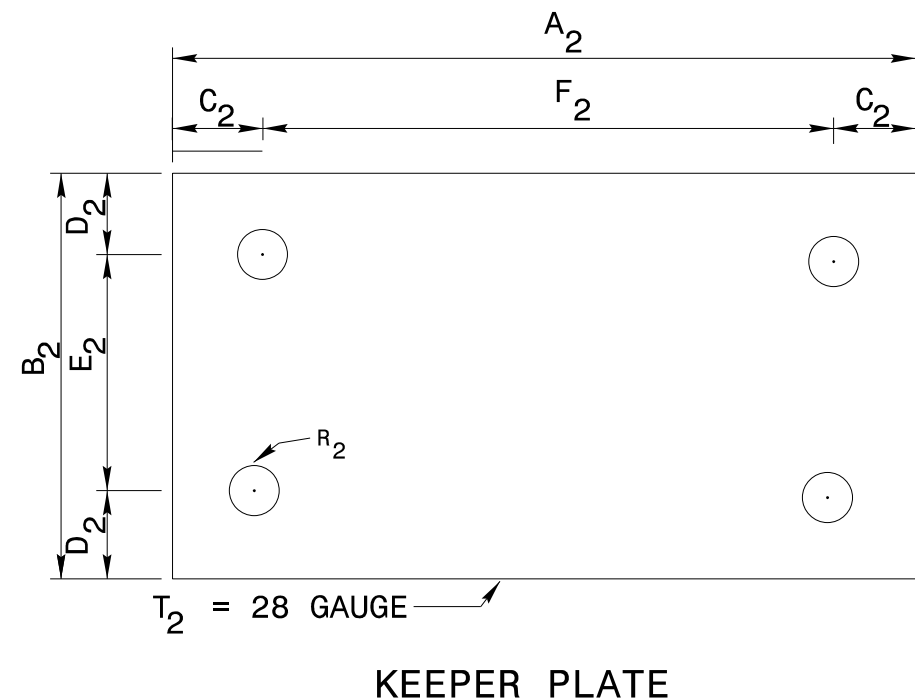
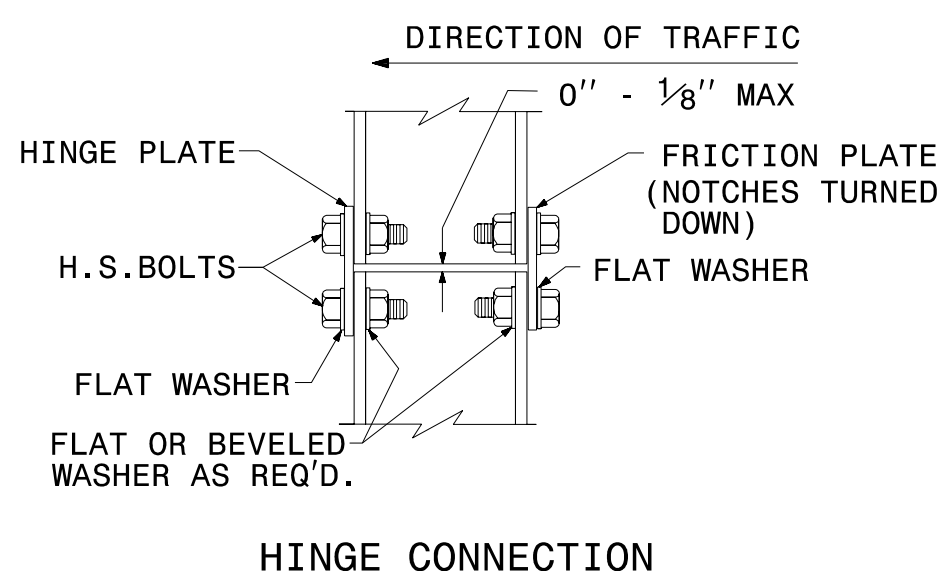
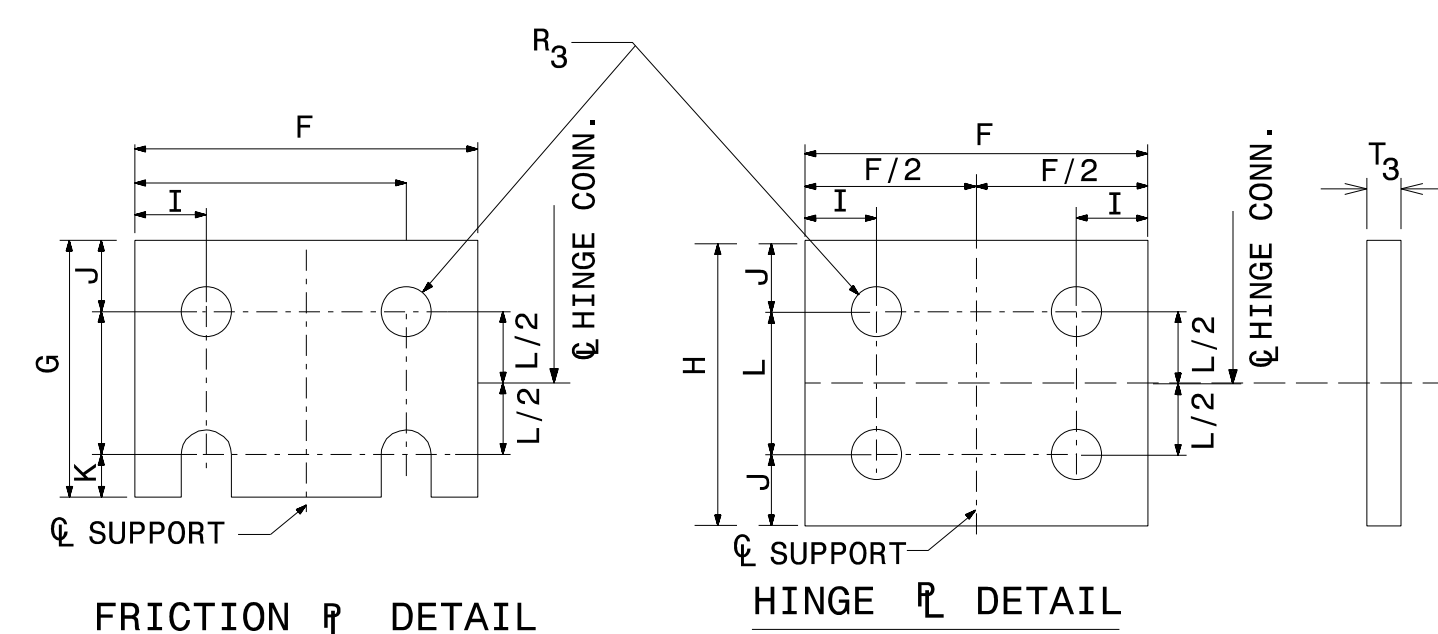
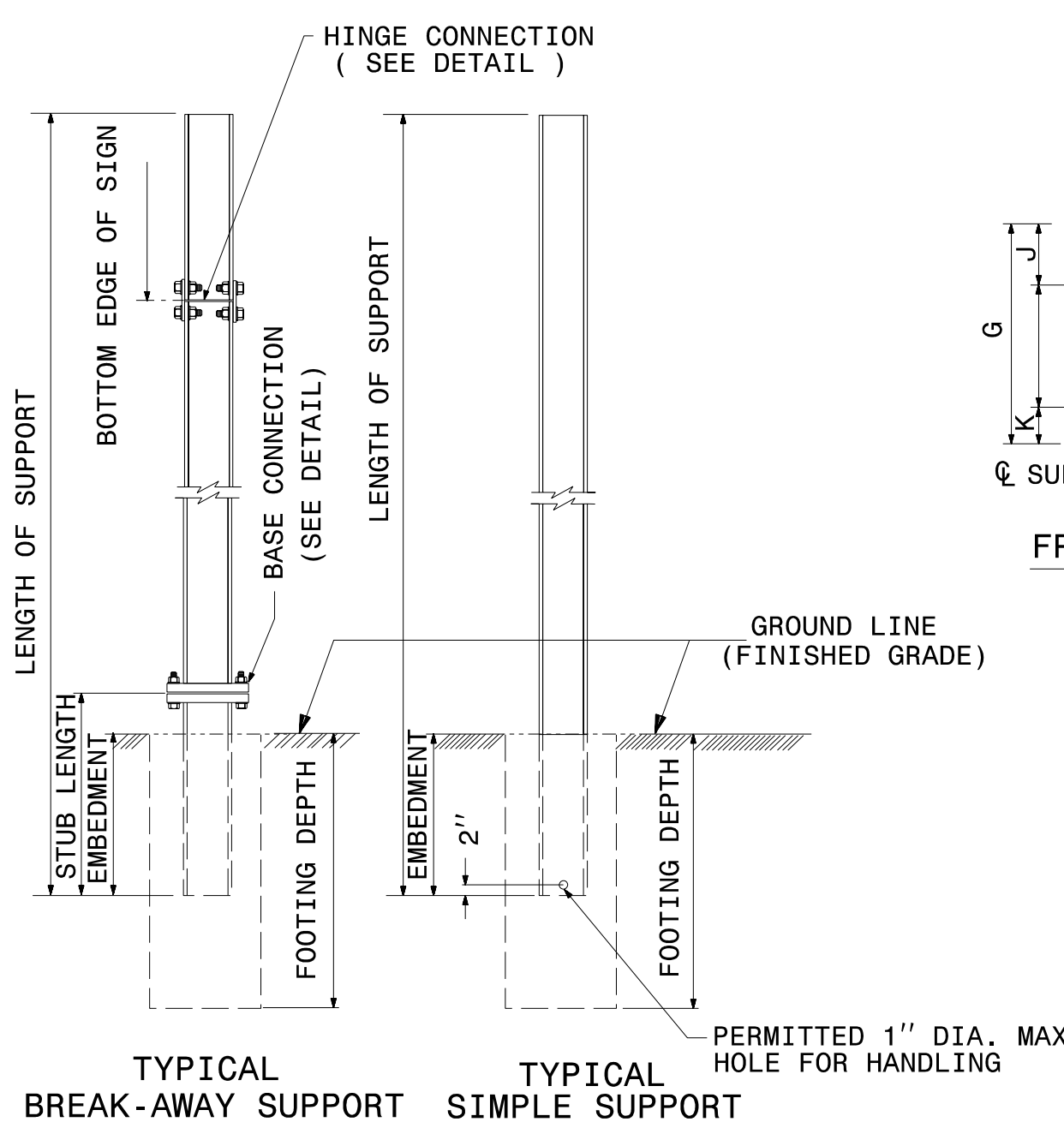


STATE OF NORTH CAROLINA  
DEPT. OF TRANSPORTATION  
DIVISION OF HIGHWAYS  
RALEIGH, N.C.

1-12

ENGLISH STANDARD DRAWING FOR  
**GROUND MOUNTED SIGN SUPPORTS**

SHEET 1 OF 3  
**903D10**



SEE SHEET 2 OF 3 FOR  
BASE CONNECTION DATA  
HINGE CONNECTION DATA  
& FOUNDATION DATA.  
SEE SHEET 3 OF 3 FOR  
GENERAL NOTES.

STATE OF NORTH CAROLINA  
DEPT. OF TRANSPORTATION  
DIVISION OF HIGHWAYS  
RALEIGH, N.C.

1-12

ENGLISH STANDARD DRAWING FOR  
**GROUND MOUNTED SIGN SUPPORTS**

SHEET 1 OF 3  
**903D10**

10/28/2014 R:\Traffic\Signing\CADD\Signing Layout Plans\Additional Sheets.dgn User:lwj

**REVISED SIGNING  
ROADWAY STANDARD DRAWING**