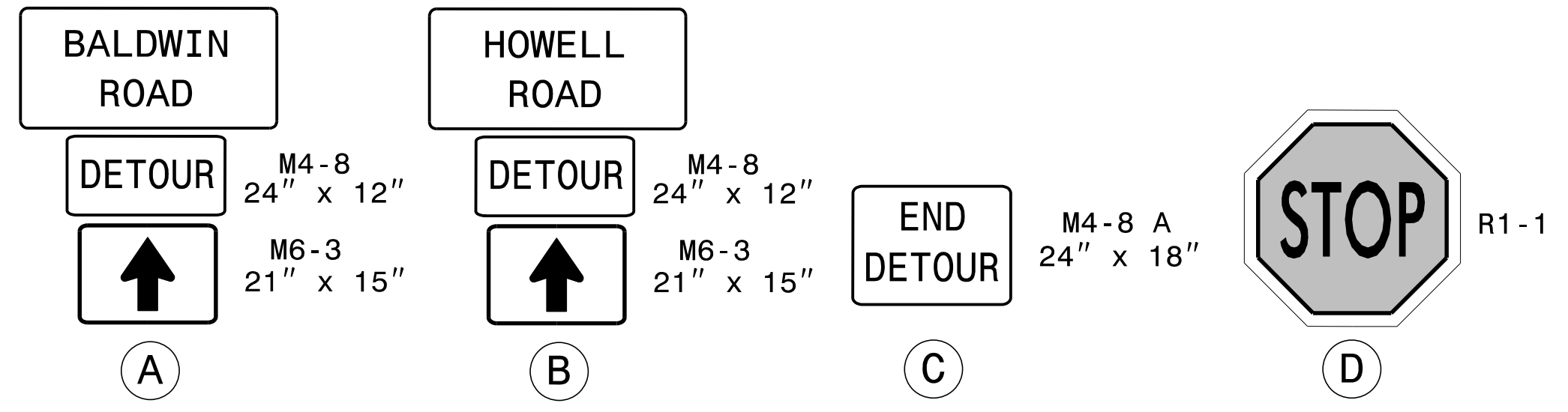


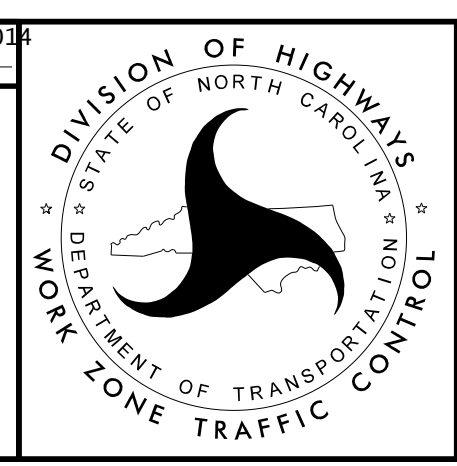
TEMPORARY PAVEMENT MARKING LEGEND	
(PA)	PAINT - WHITE EDGELINE - (4")
(PD)	PAINT - 3 FT. WHITE MINISKIP - (4")
(PI)	PAINT - YELLOW DOUBLE CENTER - (4")

REFER TO RSD NOS. 1205.01, 1205.02, 1250.01, AND 1251.01 FOR PLACEMENT OF TEMPORARY PAVEMENT MARKINGS AND MARKERS UNLESS NOTED OTHERWISE.



APPROVED: *J. W. Woolard* DATE: 10/30/2014

SEAL
 NORTH CAROLINA PROFESSIONAL ENGINEER
 J. W. WOOLARD
 19862



PHASE I DETAILS

10/24/2014 p:\tiprojects-r\2915d\trafficcontrol\cp\R2915D_TC_PHL_TMP25.dgn User:scodts