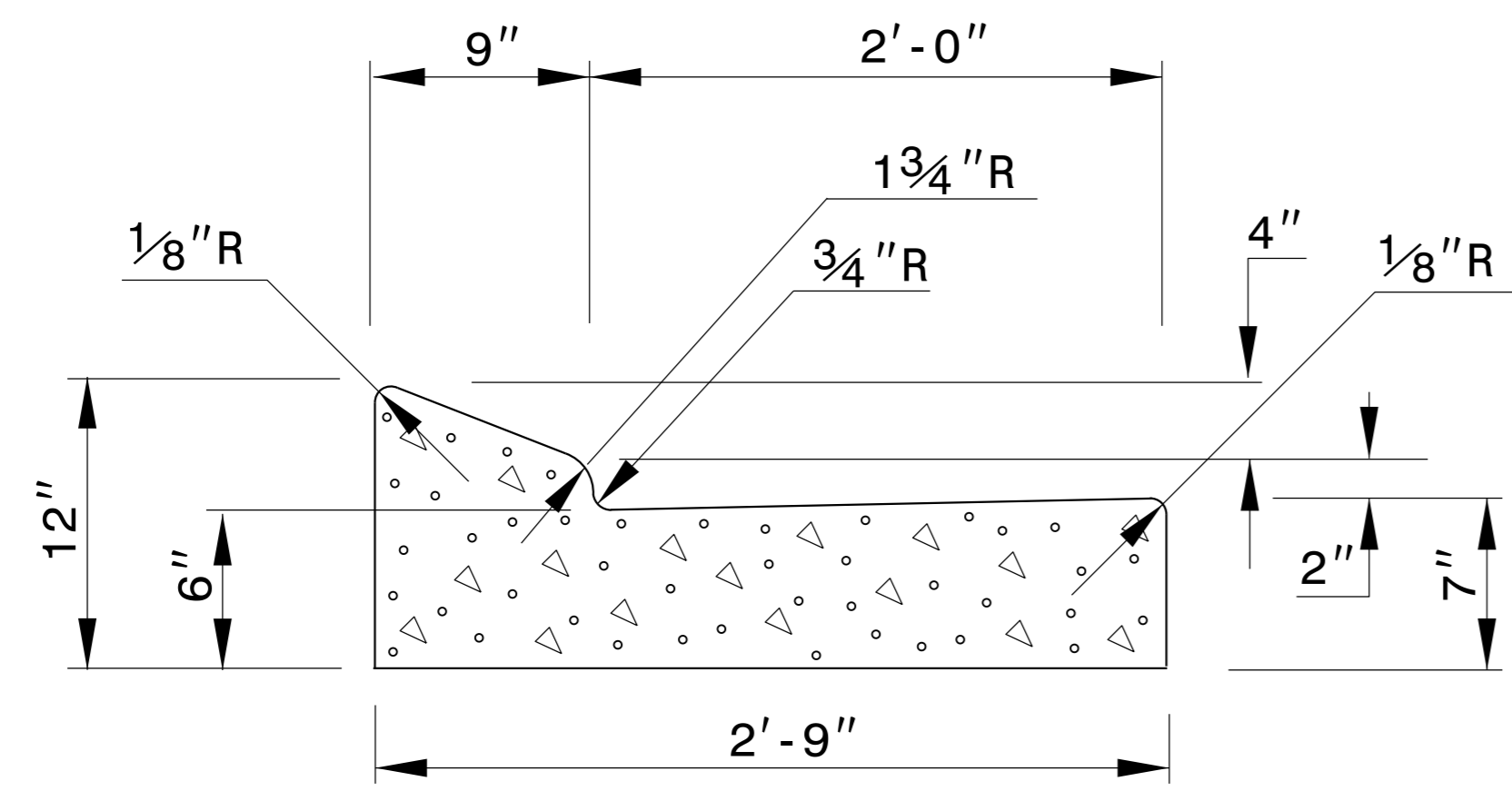
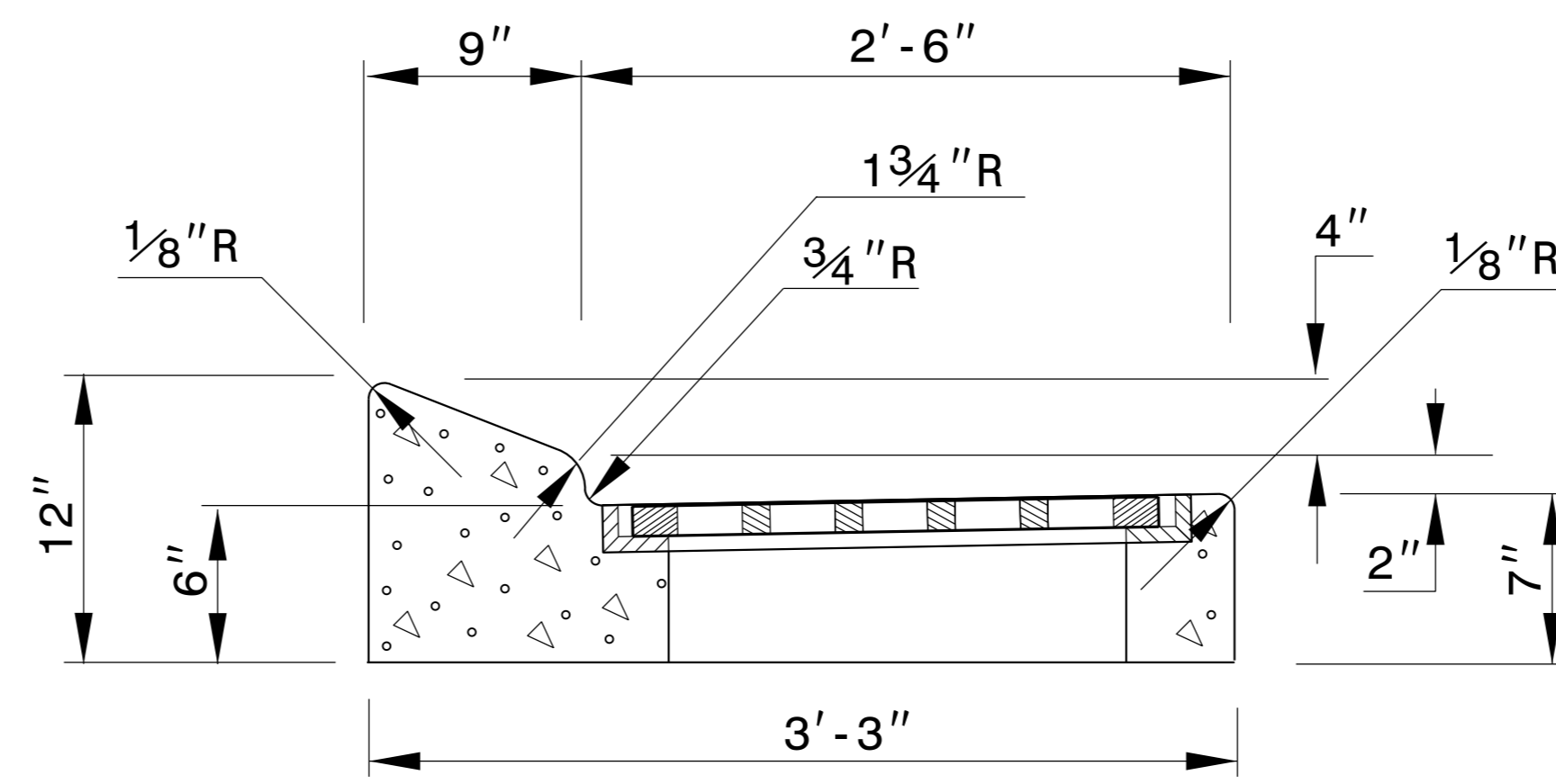


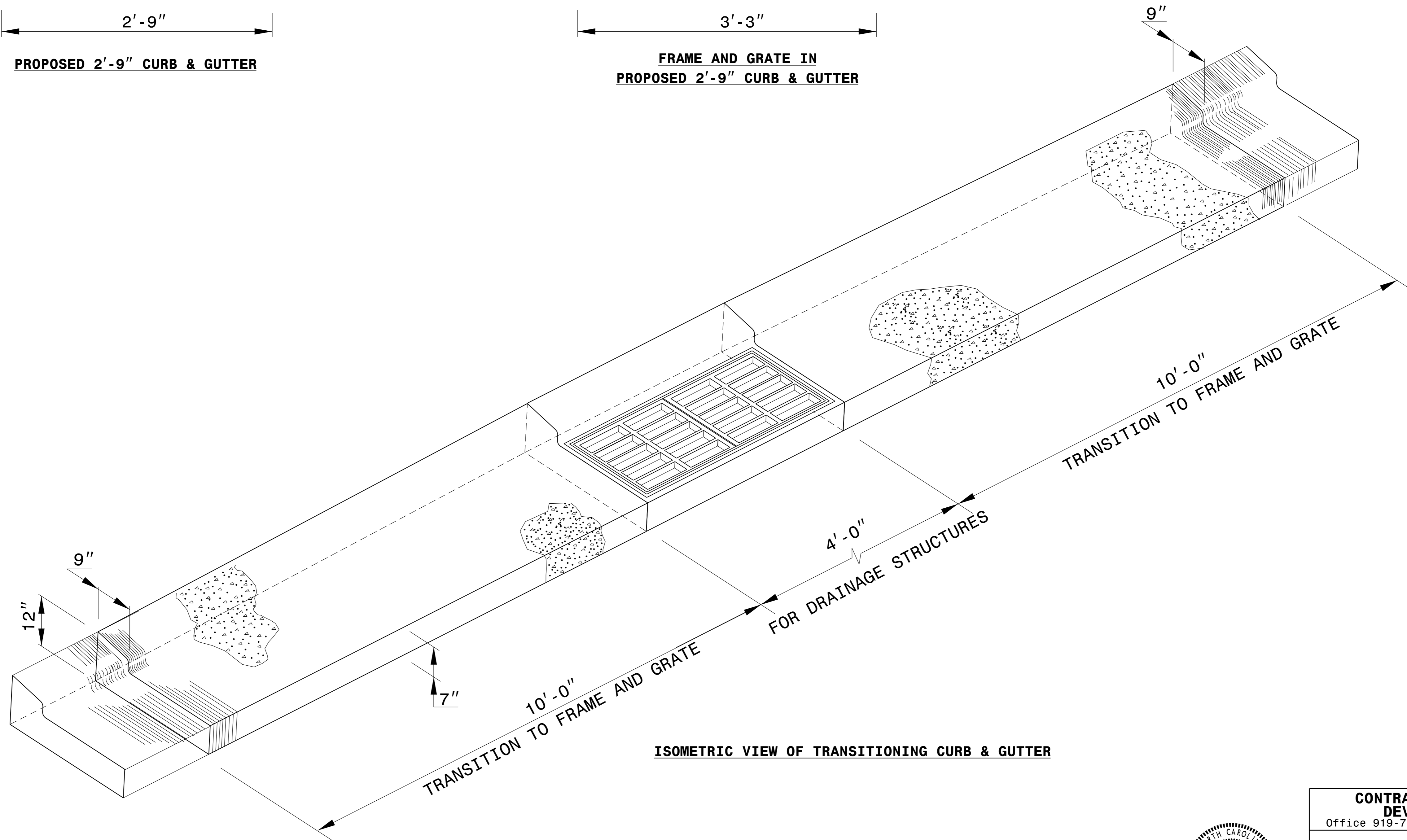
5/14/99



**PROPOSED 2'-9" CURB & GUTTER**

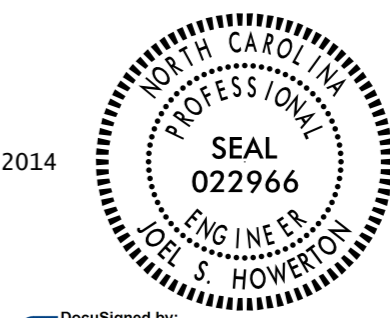


**FRAME AND GRATE IN PROPOSED 2'-9" CURB & GUTTER**



**ISOMETRIC VIEW OF TRANSITIONING CURB & GUTTER**

12/10/2014



DocuSigned by:  
Joel Howerton  
873F3D17DC045F...

**CONTRACT STANDARDS AND DEVELOPMENT UNIT**  
Office 919-707-6950 FAX 919-250-4119

**DETAIL OF 2'-9" TO FRAME AND GRATE**

ORIGINAL BY: _____	DATE: _____
MODIFIED BY: _____	DATE: _____
CHECKED BY: _____	DATE: _____
FILE SPEC.: kkempf/english/curb_gutter_transition.dgn	