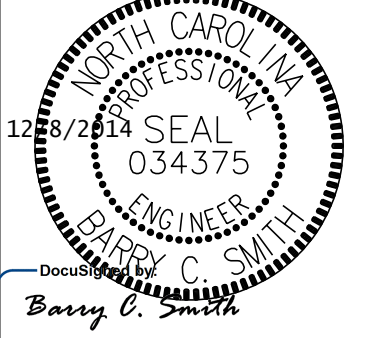
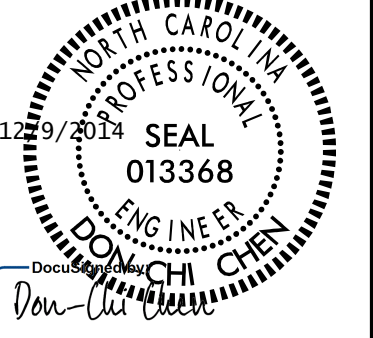

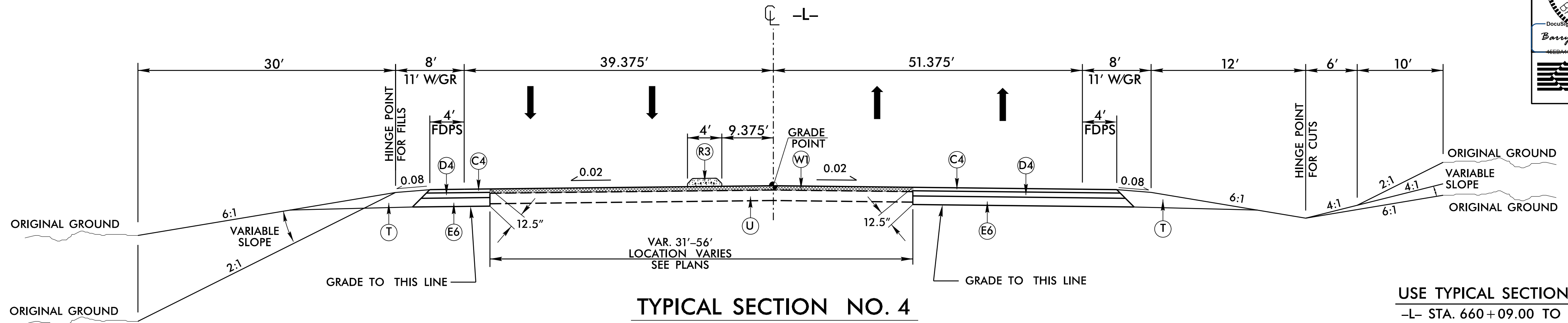


6/2/2014

P:\N\2014\1739
 R2-2915D\Roadway\Proj\R2915D_Rdwy_Trip.dgn
 \$\$\$\$\$\$

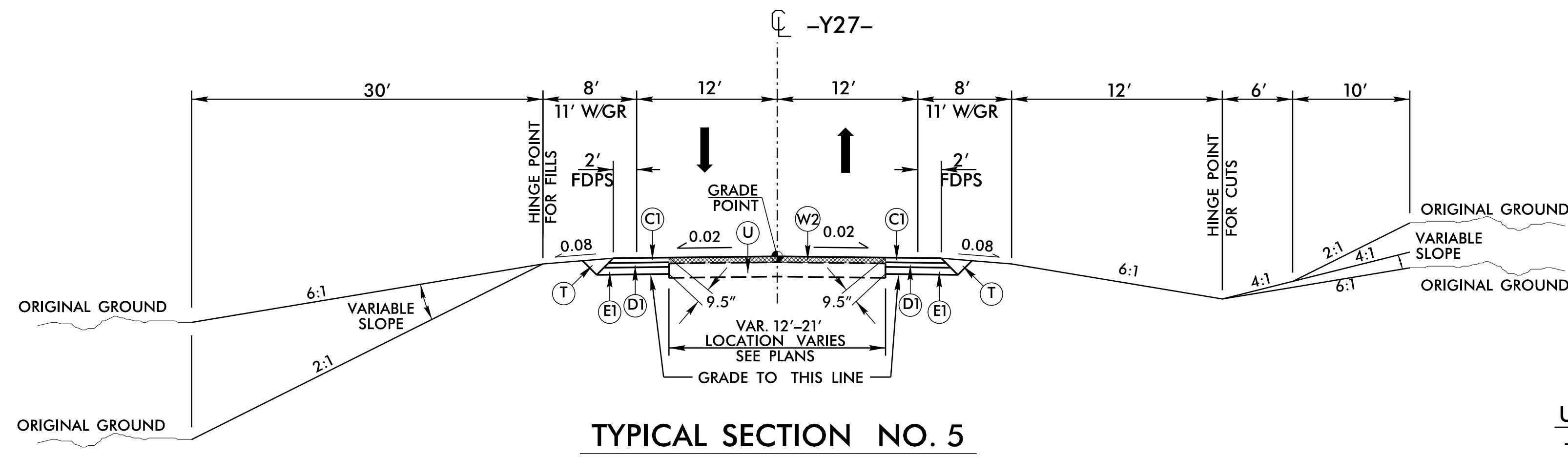
PAVEMENT SCHEDULE	
FINAL PAVEMENT DESIGN	
C1	3" S9.5B
C2	VAR. S9.5B
C3	1.5" S9.5C
C4	3" S9.5C
C5	VAR. S9.5C
C6	1.5" S9.5B
C7	3" S9.5B
D1	2.5" I19.0B
D2	4" I19.0B
D3	VAR. I19.0B
D4	4" I19.0C
D5	VAR. I19.0C
E1	4" B25.0B
E2	5" B25.0B
E3	5.5" B25.0B
E4	VAR. B25.0B
E5	3" B25.0C
E6	5.5" B25.0C
E7	VAR. B25.0C
J1	8" ABC
K	SUBGRADE STABILIZATION
N	GEOTEXTILE
R1	2'-6" C & G
R2	2'-9" C & G
R3	5" MONO. ISLAND
R4	EXPR. GUTTER
T	EARTH MATERIAL
U	EXIST. PAVEMENT
V	3" MILLING
W1	WEDGING DETAIL 1
W2	WEDGING DETAIL 2
W3	WEDGING DETAIL 3
W4	WEDGING DETAIL 4

PROJECT REFERENCE NO. R-2915D	SHEET NO. 2A-3
ROADWAY DESIGN ENGINEER  Barry C. Smith	PAVEMENT DESIGN ENGINEER  Don-Chi Chen
 Engineers • Planners • Scientists • Construction Managers 4601 Six Forks Road, Landmark Center II, Suite 220 Raleigh, NC 27609-5210 Phone (919) 783-9214 • Fax (919) 783-9266	

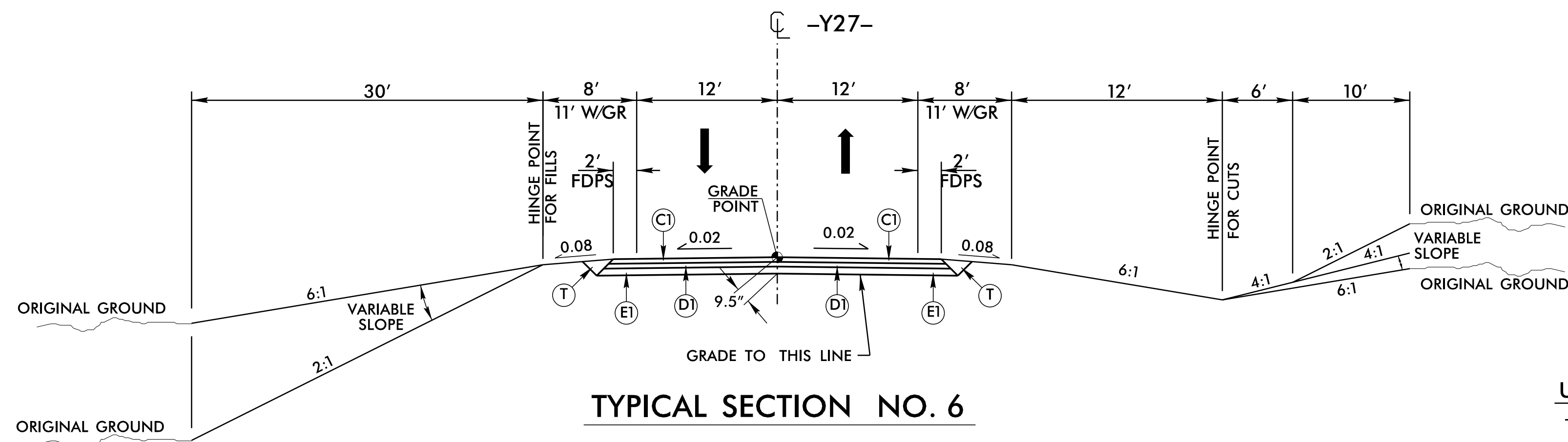


USE TYPICAL SECTION NO. 4 AS FOLLOWS:
 -L- STA. 660+09.00 TO -L- STA. 666+75.00

USE REVERSE OF TYPICAL SECTION NO. 4 AS FOLLOWS:
 -L- STA. 666+75.00 TO -L- STA. 672+10.00



USE TYPICAL SECTION NO. 5 AS FOLLOWS:
 -Y27- STA. 14+65.00 TO -Y27- STA. 15+60.00



USE TYPICAL SECTION NO. 6 AS FOLLOWS:
 -Y27- STA. 15+60.00 TO -Y27- STA. 18+53.39