


T.I.P.: R-2612B

CONTRACT: C203412

**STATE OF NORTH CAROLINA
DEPARTMENT OF TRANSPORTATION**

**PAVEMENT MARKING PLAN
GUILFORD COUNTY**

TIP NO. R-2612B	SHEET NO. PMP-1
APPROVED: <i>[Signature]</i>	
DATE: 2/20/14	
SEAL	
	

ROADWAY STANDARD DRAWING

THE FOLLOWING ROADWAY STANDARDS AS APPEAR IN "ROADWAY STANDARD DRAWINGS" - PROJECT SERVICES UNIT - N.C. DEPARTMENT OF TRANSPORTATION - RALEIGH, N.C., DATED JANUARY 2012 ARE APPLICABLE TO THIS PROJECT AND BY REFERENCE HEREBY ARE CONSIDERED A PART OF THESE PLANS:

STD. NO.	TITLE
1205.01	PAVEMENT MARKINGS - LINE TYPES AND OFFSETS
1205.02	PAVEMENT MARKINGS - TWO-LANE AND MULTILANE ROADWAYS
1205.03	PAVEMENT MARKINGS - EXIT AND ENTRANCE RAMP
1205.04	PAVEMENT MARKINGS - INTERSECTIONS
1205.05	PAVEMENT MARKINGS - TURN LANES
1205.06	PAVEMENT MARKINGS - LANE DROPS
1205.08	PAVEMENT MARKINGS - SYMBOLS AND WORD MESSAGES
1205.09	PAVEMENT MARKINGS - PAINTED ISLANDS
1250.01	RAISED PAVEMENT MARKERS - INSTALLATION SPACING
1251.01	RAISED PAVEMENT MARKERS - PERMANENT AND TEMPORARY
1261.01	GUARDRAIL AND BARRIER DELINEATORS - INSTALLATION SPACING
1261.02	GUARDRAIL AND BARRIER DELINEATORS - TYPES AND MOUNTING
1262.01	GUARDRAIL END DELINEATION
1267.01	FLEXIBLE DELINEATORS - INSTALLATION
1267.02	FLEXIBLE DELINEATORS - SPACING TABLES
1267.03	FLEXIBLE DELINEATORS - INTERCHANGE PLACEMENT

GENERAL NOTES

- THE FOLLOWING GENERAL NOTES APPLY AT ALL TIMES FOR THE DURATION OF THE CONSTRUCTION PROJECT, EXCEPT WHEN OTHERWISE NOTED IN THE PLAN, OR DIRECTED BY THE ENGINEER.
- A) INSTALL PAVEMENT MARKINGS AND PAVEMENT MARKERS ON THE FINAL SURFACE AS FOLLOWS:

ROAD NAME	MARKING	MARKER
ALL ROADS	THERMOPLASTIC	RAISED
BRIDGE DECKS	COLD APPLIED PLASTIC (TYPE II OR III)	RAISED (BRIDGE DECKS)
 - B) TIE PROPOSED PAVEMENT MARKING LINES TO EXISTING PAVEMENT MARKING LINES.
 - C) REMOVE/REPLACE ANY CONFLICTING/DAMAGED PAVEMENT MARKINGS AND MARKERS.
 - D) STOP BAR LOCATION AT NON-SIGNALIZED INTERSECTIONS MAY BE ADJUSTED AS DIRECTED BY THE ENGINEER.
 - E) REMOVE ALL RESIDUE AND SURFACE LAITANCE BY ACCEPTABLE METHODS ON CONCRETE BRIDGE DECKS PRIOR TO PLACING POLYUREA PAVEMENT MARKING MATERIAL.
 - F) USE FLEXIBLE DELINEATORS ON LEFT SIDE OF LOOPS AND RIGHT SIDE OF RAMP IN LOCATIONS WHERE THERE IS NO GUARDRAIL OR OTHER DELINEATION.

PAVEMENT MARKING SCHEDULE

SYMBOL	DESCRIPTION
THERMOPLASTIC(24", 120 MILS)	
T2	WHITE STOPBAR
THERMOPLASTIC(4", 90 MILS)	
TA	WHITE EDGELINE
TB	WHITE EDGELINE
THERMOPLASTIC(4", 120 MILS)	
TD	3 FT. - 9 FT./SP WHITE MINISKIP
TE	WHITE SOLID LANE LINE
TI	YELLOW DOUBLE CENTER
T8	2 FT. - 6 FT./SP WHITE MINISKIP
COLD APPLIED PLASTIC(4")	
CA	WHITE EDGELINE
CB	YELLOW EDGELINE
CD	3 FT. - 9 FT./SP WHITE MINISKIP
THERMOPLASTIC(6", 90 MILS)	
T6	WHITE EDGELINE
T7	YELLOW EDGELINE
THERMOPLASTIC(6", 120 MILS)	
TJ	10 FT. WHITE SKIP
TK	3 FT. - 9 FT./SP WHITE MINISKIP
THERMOPLASTIC(12", 90 MILS)	
TS	WHITE GORELINE
TV	YELLOW DIAGONAL
THERMOPLASTIC PAVEMENT MARKING SYMBOLS (90 MILS)	
UA	LEFT TURN ARROW
UB	RIGHT TURN ARROW
UC	STRAIGHT ARROW
UE	COMBO. RIGHT/STRAIGHT ARROW
UP	MERGE ARROW

INDEX

SHEET NO.	DESCRIPTION
PMP-1	PAVEMENT MARKING PLAN COVER SHEET AND PAVEMENT MARKING SCHEDULE
PMP-2-10	PAVEMENT MARKING DETAILS

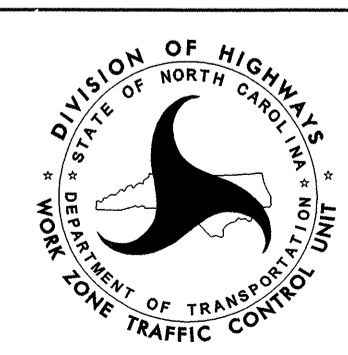
PLAN PREPARED BY: Ramey Kemp & Associates


W. JASON HAMILTON PROJECT MANAGER
NICHOLAS E. BURNS PROJECT ENGINEER

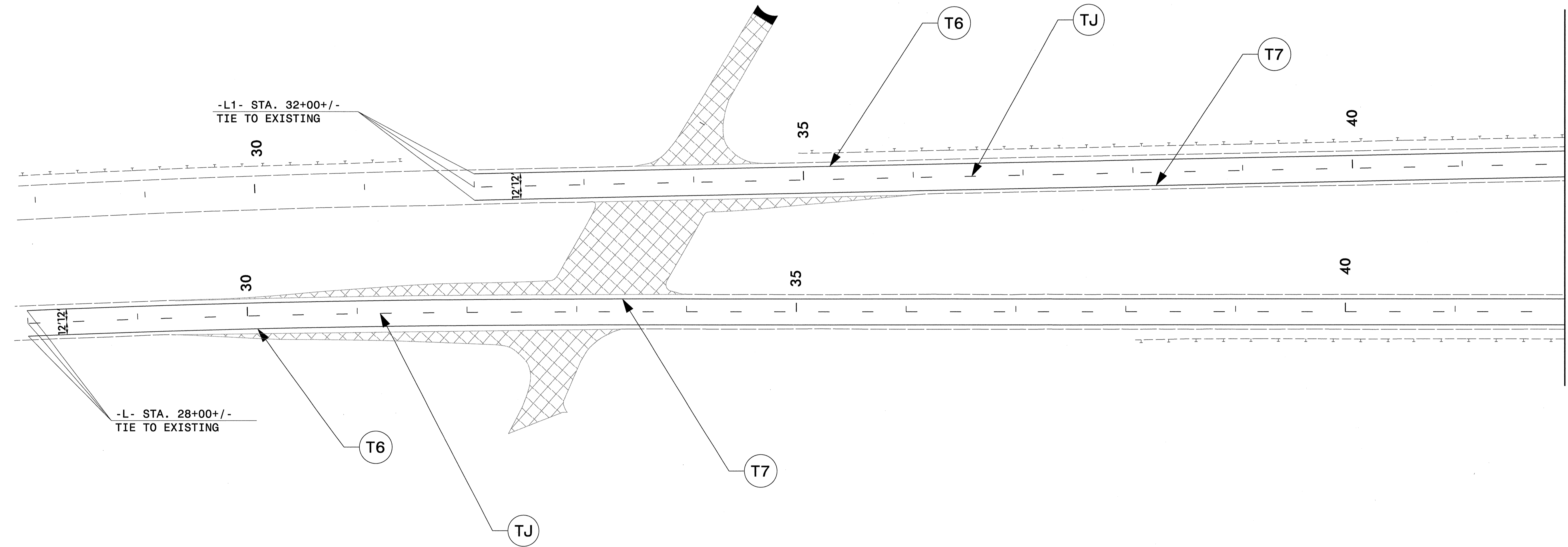
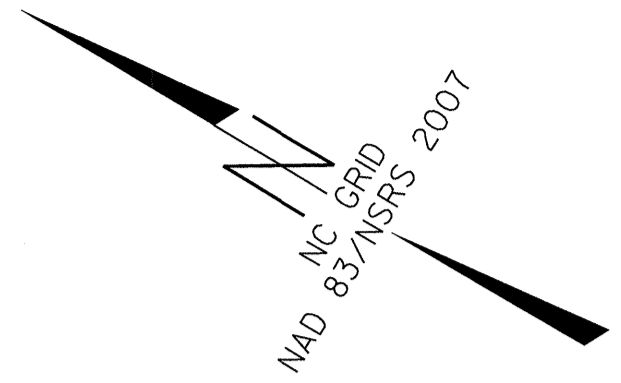


PLAN REVIEWED BY: N.C.D.O.T. SIGNING AND DELINEATION UNIT

SUSAN KUNZ SIGNING & DELINEATION REGIONAL ENGINEER
SAM COLEMAN SIGNING & DELINEATION PROJECT DESIGN ENGINEER



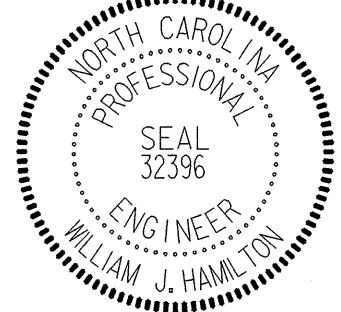
TIP NO. R-2612B	SHEET NO. PMP-2
APPROVED: <i>[Signature]</i>	
DATE: 2/20/19	
SEAL	
	

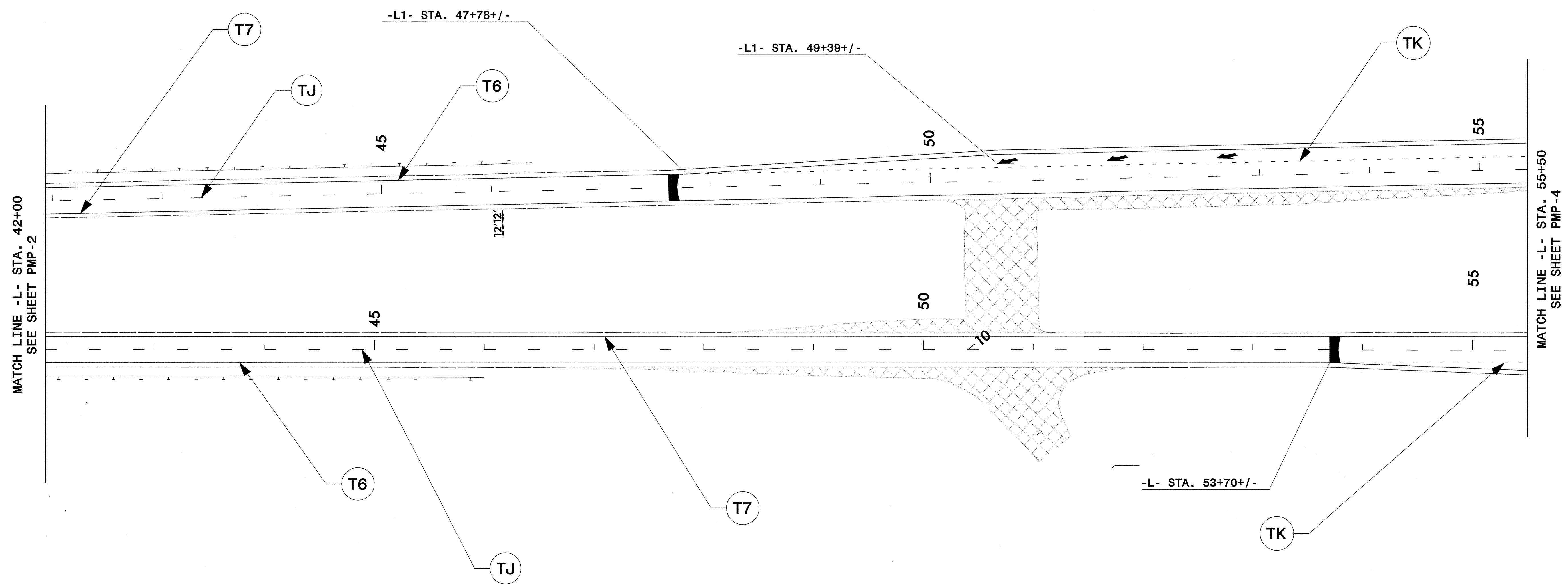
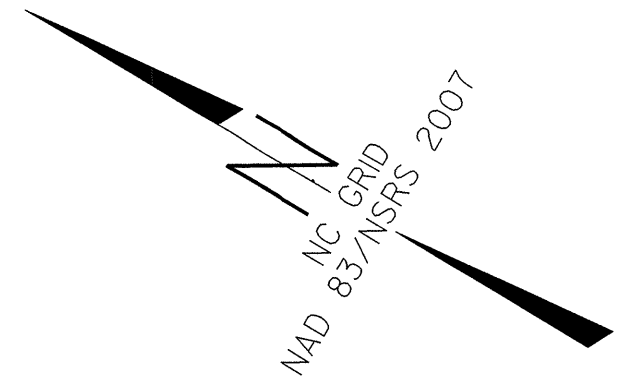



Prepared in the offices of:

RAMEY KEMP ASSOCIATES, INC.
 Transportation Engineers
 8500 Farrington Place, Suite 100
 Raleigh, North Carolina 27609
 919-872-9119 Tel. 919-875-6416 Fax.
 www.rkemp.com

PAVEMENT MARKING DETAIL

TIP NO. R-2612B	SHEET NO. PMP-3
APPROVED: <i>[Signature]</i>	
DATE: 2/20/14	
SEAL	
	



SYMBOL LEGEND	
	UP MERGE ARROW

Prepared in the offices of:

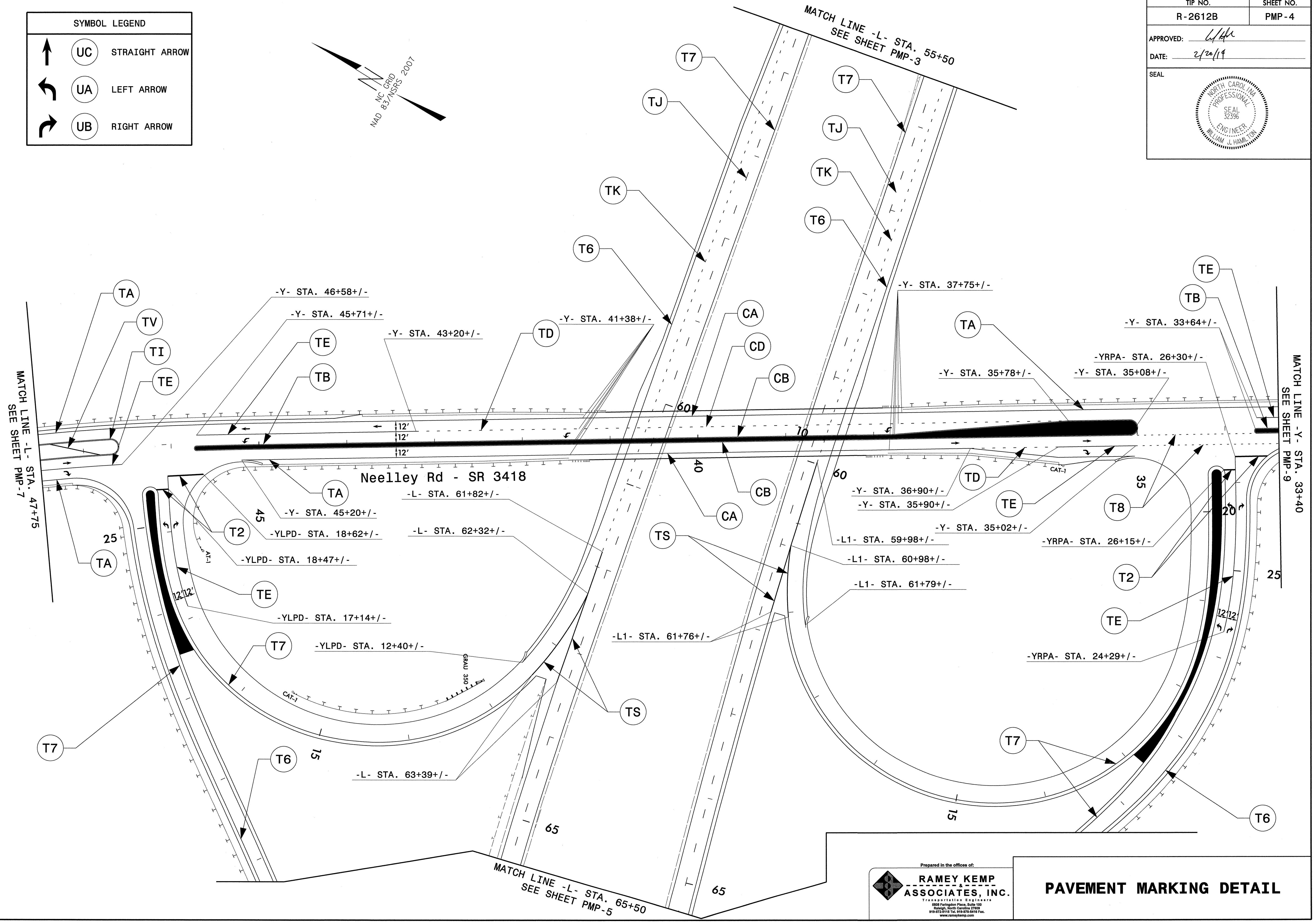
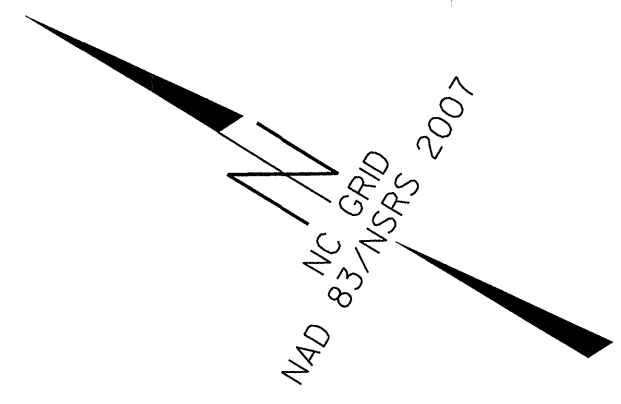
RAMEY KEMP ASSOCIATES, INC.
 Transportation Engineers
 808 Partington Place, Suite 100
 Raleigh, North Carolina 27603
 919-872-5115 Tel. 919-878-8418 Fax.
 www.rameykemp.com

PAVEMENT MARKING DETAIL

TIP NO.	SHEET NO.
R-2612B	PMP-4
APPROVED:	<i>WJH</i>
DATE:	2/20/19
SEAL	

SYMBOL LEGEND


↑	UC	STRAIGHT ARROW
↶	UA	LEFT ARROW
↷	UB	RIGHT ARROW

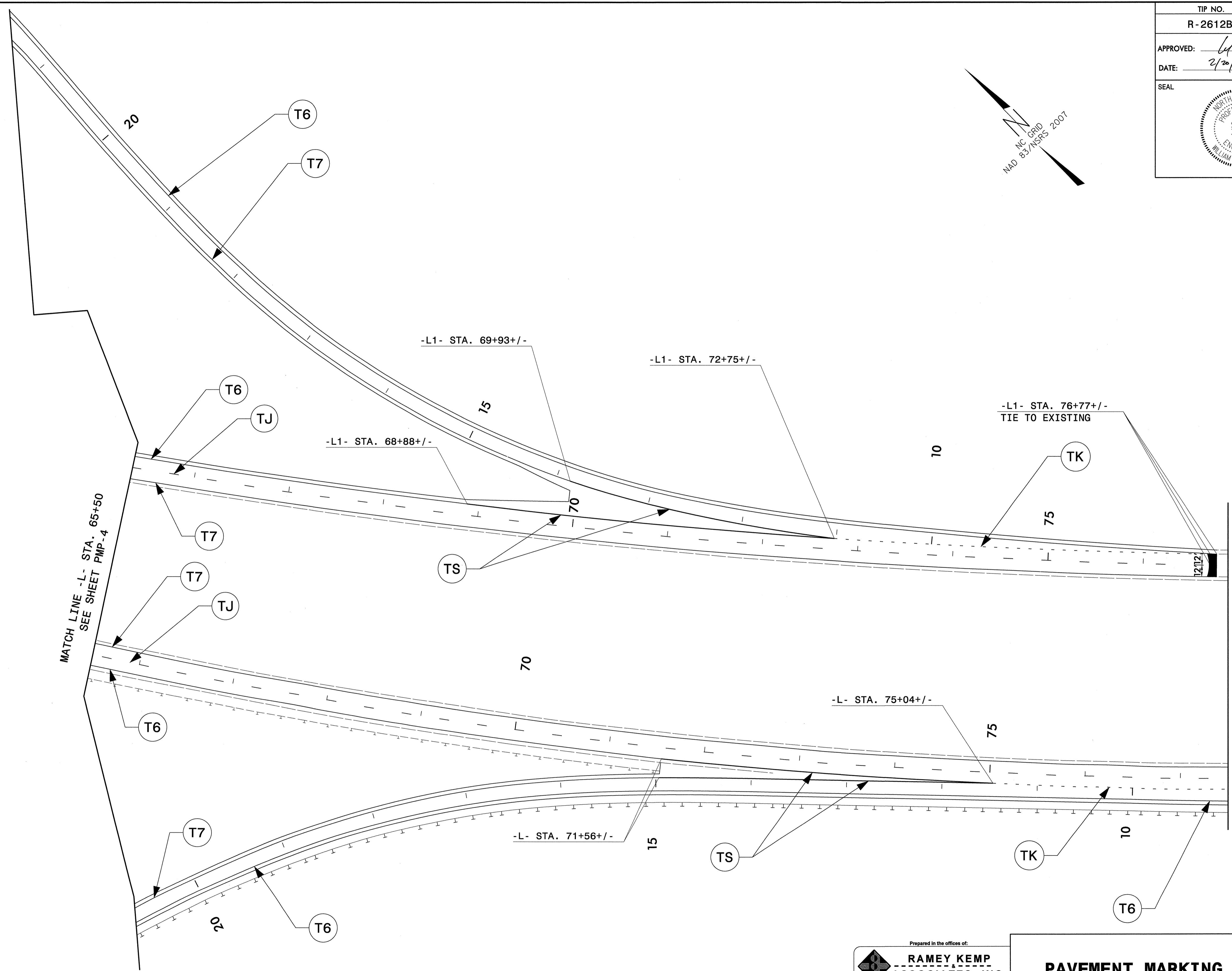
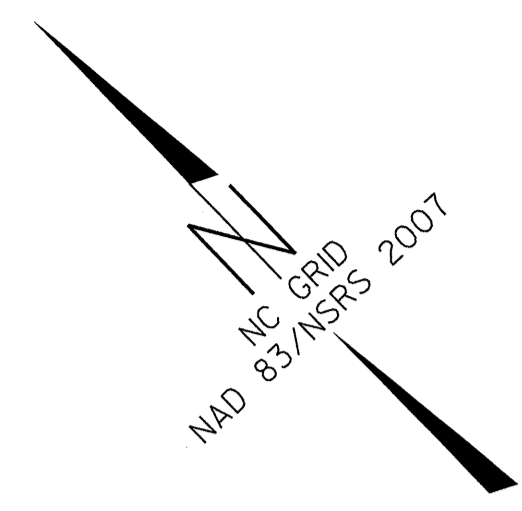


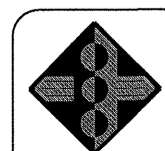
Prepared in the offices of:

RAMEY KEMP ASSOCIATES, INC.
 Transportation Engineers
 8808 Farrington Place, Suite 100
 Raleigh, North Carolina 27609
 919-872-8116 Tel, 919-878-5416 Fax
 www.rameykemp.com

PAVEMENT MARKING DETAIL

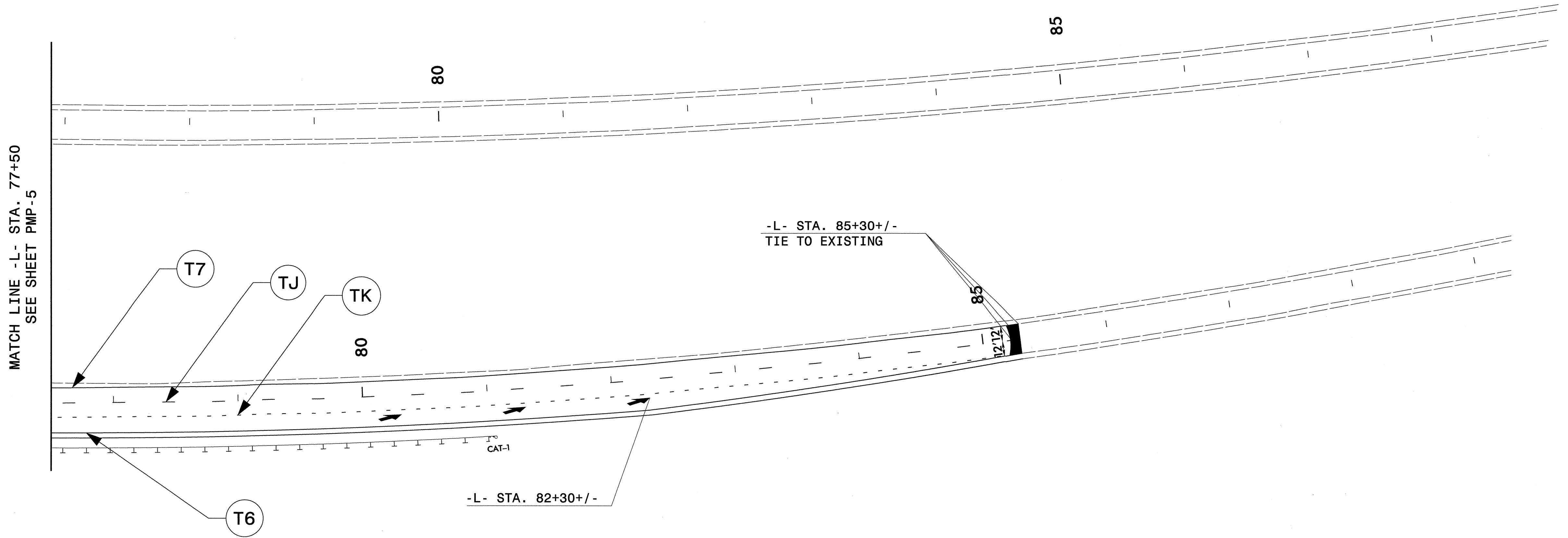
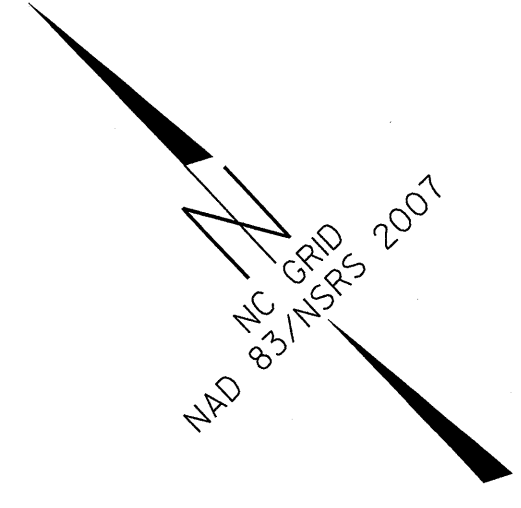
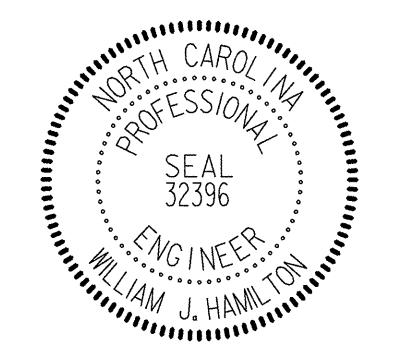
TIP NO. R-2612B	SHEET NO. PMP-5
APPROVED: <i>[Signature]</i>	
DATE: 2/20/19	
SEAL	
	



Prepared in the offices of:

RAMEY KEMP ASSOCIATES, INC.
 TRANSPORTATION ENGINEERS
 888 Farrington Place, Suite 100
 Raleigh, North Carolina 27609
 919-872-5115 Tel. 919-872-8416 Fax.
 www.rameykemp.com

PAVEMENT MARKING DETAIL

TIP NO.	SHEET NO.
R-2612B	PMP-6
APPROVED: <i>WJH</i>	
DATE: 2/24/14	
SEAL	



MATCH LINE -L- STA. 77+50
SEE SHEET PMP-5

-L- STA. 85+30+/-
TIE TO EXISTING

-L- STA. 82+30+/-

CAT-1


SYMBOL LEGEND	
	UP MERGE ARROW

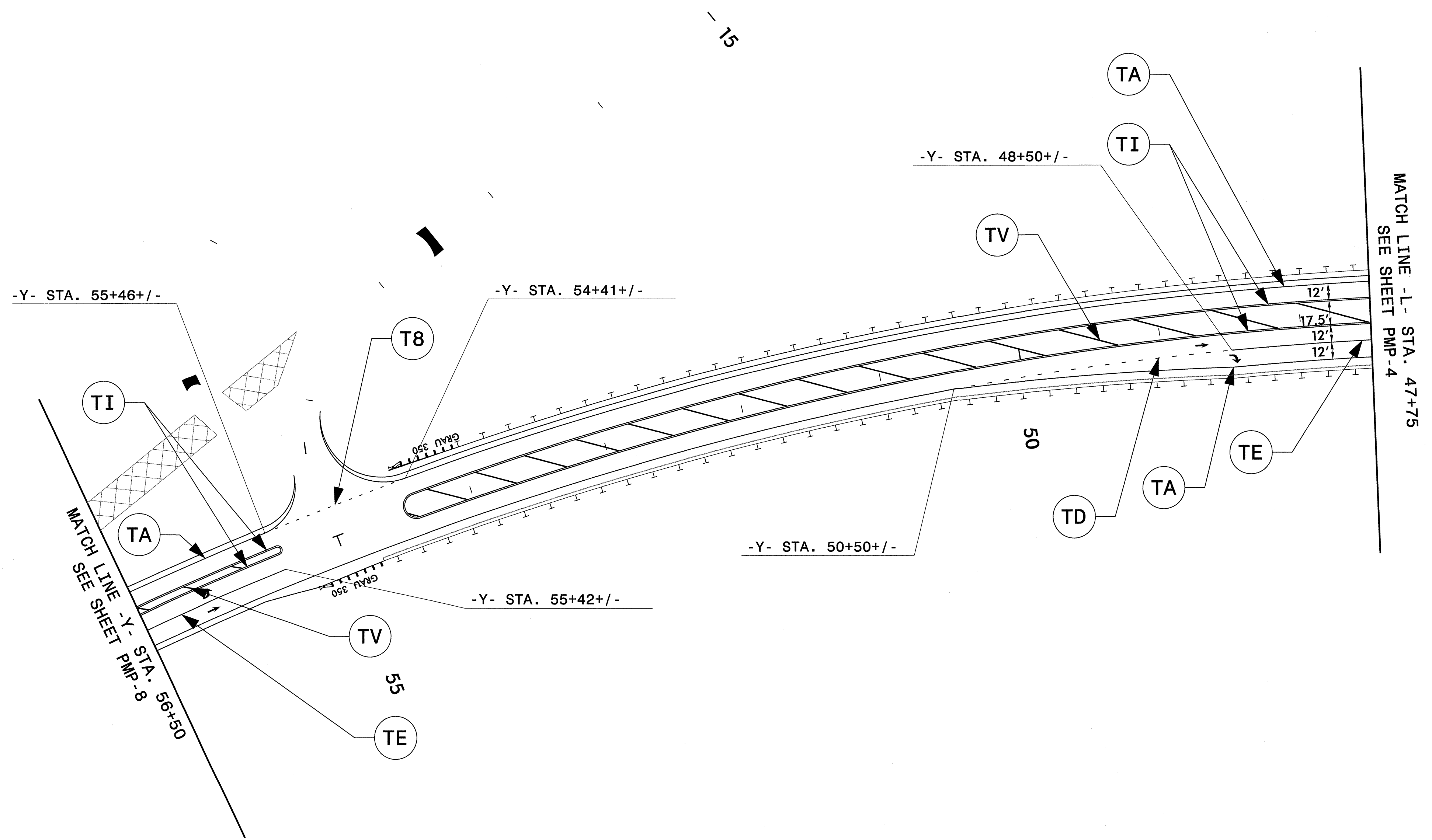
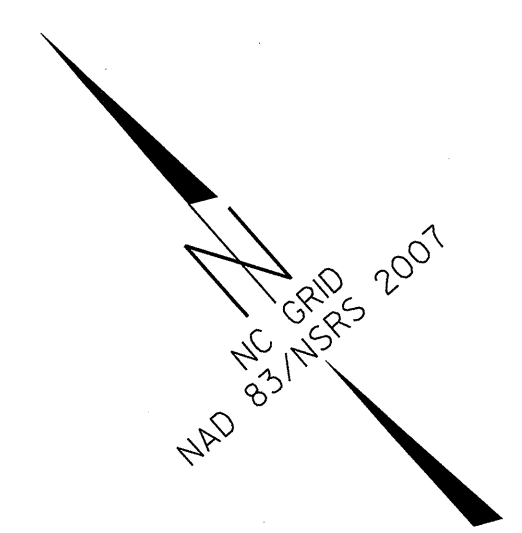
Prepared in the offices of:




RAMEY KEMP ASSOCIATES, INC.
TRANSPORTATION ENGINEERS

6308 Farrington Place, Suite 100
Raleigh, North Carolina 27609
919-872-5110 / Tel. 919-878-5418 Fax
www.rameykemp.com

PAVEMENT MARKING DETAIL

TIP NO. R-2612B	SHEET NO. PMP-7
APPROVED: <i>[Signature]</i>	
DATE: 2/24/14	
SEAL	
	



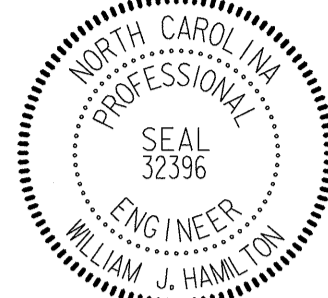
SYMBOL LEGEND	
	(UC) STRAIGHT ARROW
	(UA) LEFT ARROW
	(UB) RIGHT ARROW

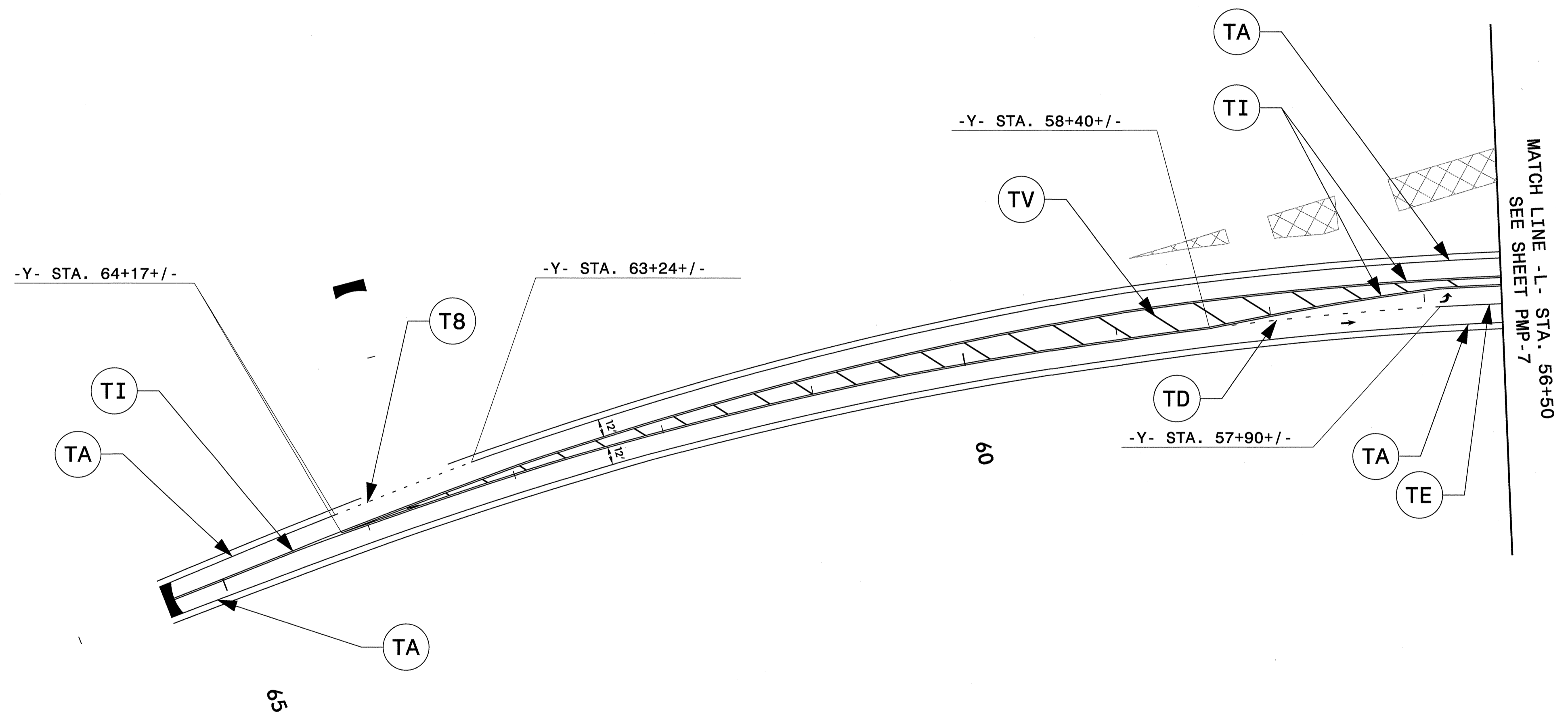
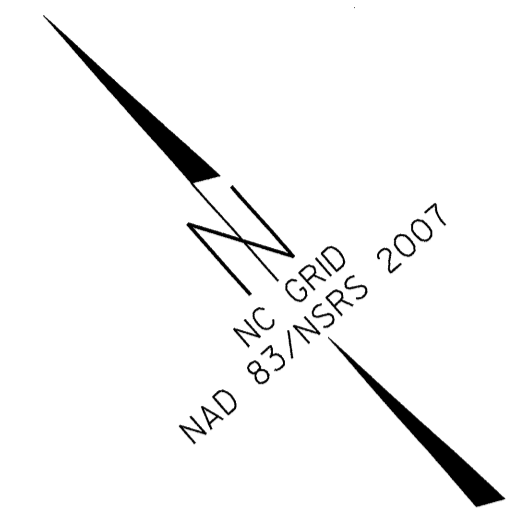
Prepared in the offices of:





RAMEY KEMP ASSOCIATES, INC.
 Transportation Engineers
 8808 Farrington Place, Suite 100
 Raleigh, North Carolina 27616
 919-872-6115 Tel. 919-875-6416 Fax.
 www.rkemp.com

PAVEMENT MARKING DETAIL

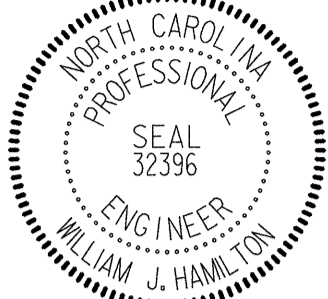
TIP NO. R-2612B	SHEET NO. PMP-8
APPROVED: <i>[Signature]</i>	
DATE: 2/20/14	
SEAL	
	

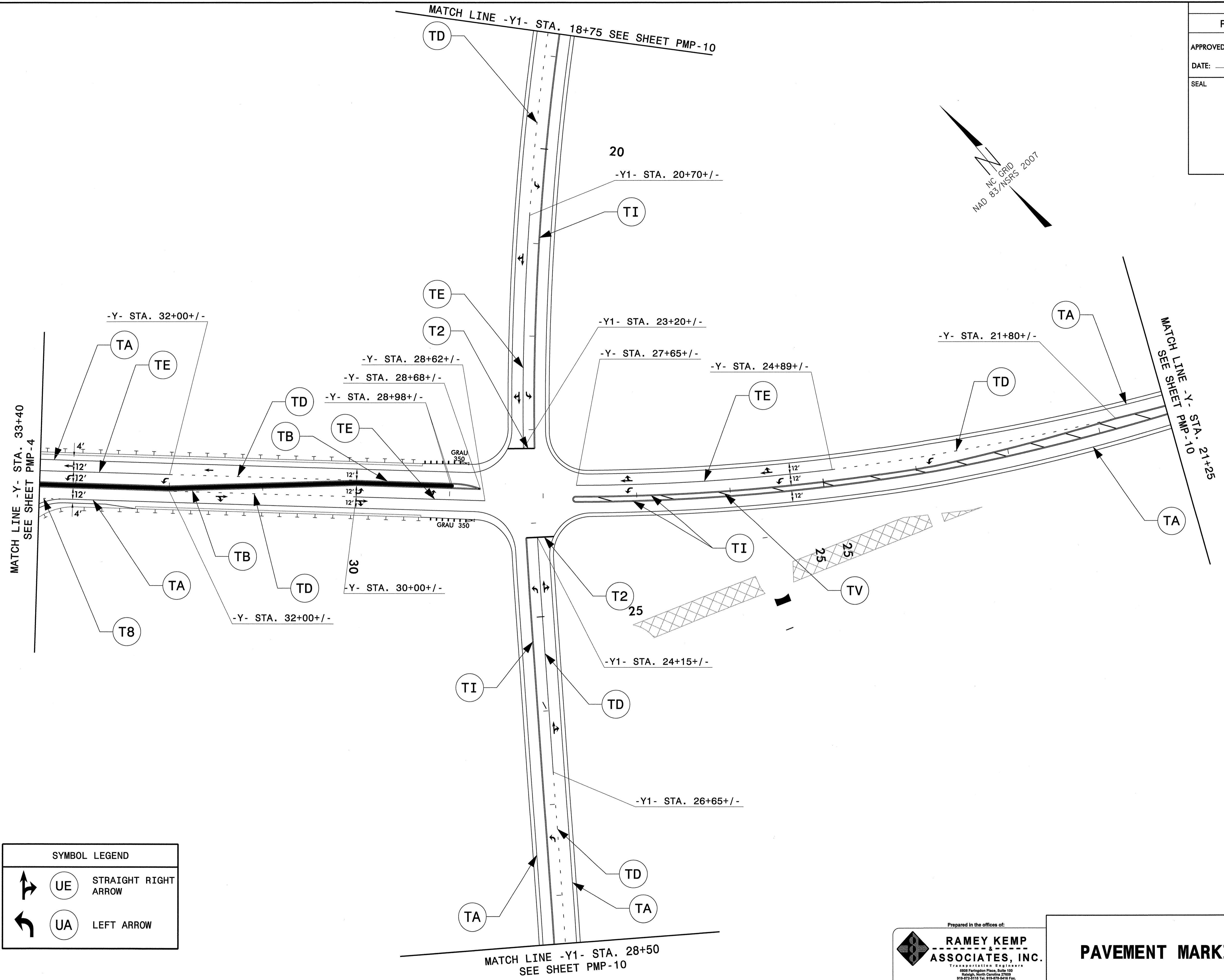



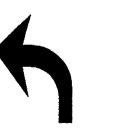
SYMBOL LEGEND	
	UC STRAIGHT ARROW
	UA LEFT ARROW

Prepared in the offices of:
RAMEY KEMP ASSOCIATES, INC.
 TRANSPORTATION ENGINEERS
 808 Farrington Place, Suite 100
 Raleigh, North Carolina 27609
 919-872-5115 Tel. 919-872-5416 Fax.
 www.rameykemp.com

PAVEMENT MARKING DETAIL

TIP NO. R-2612B	SHEET NO. PMP-9
APPROVED: <i>[Signature]</i>	
DATE: 2/2/19	
SEAL	
	





SYMBOL LEGEND	
	UE STRAIGHT RIGHT ARROW
	UA LEFT ARROW

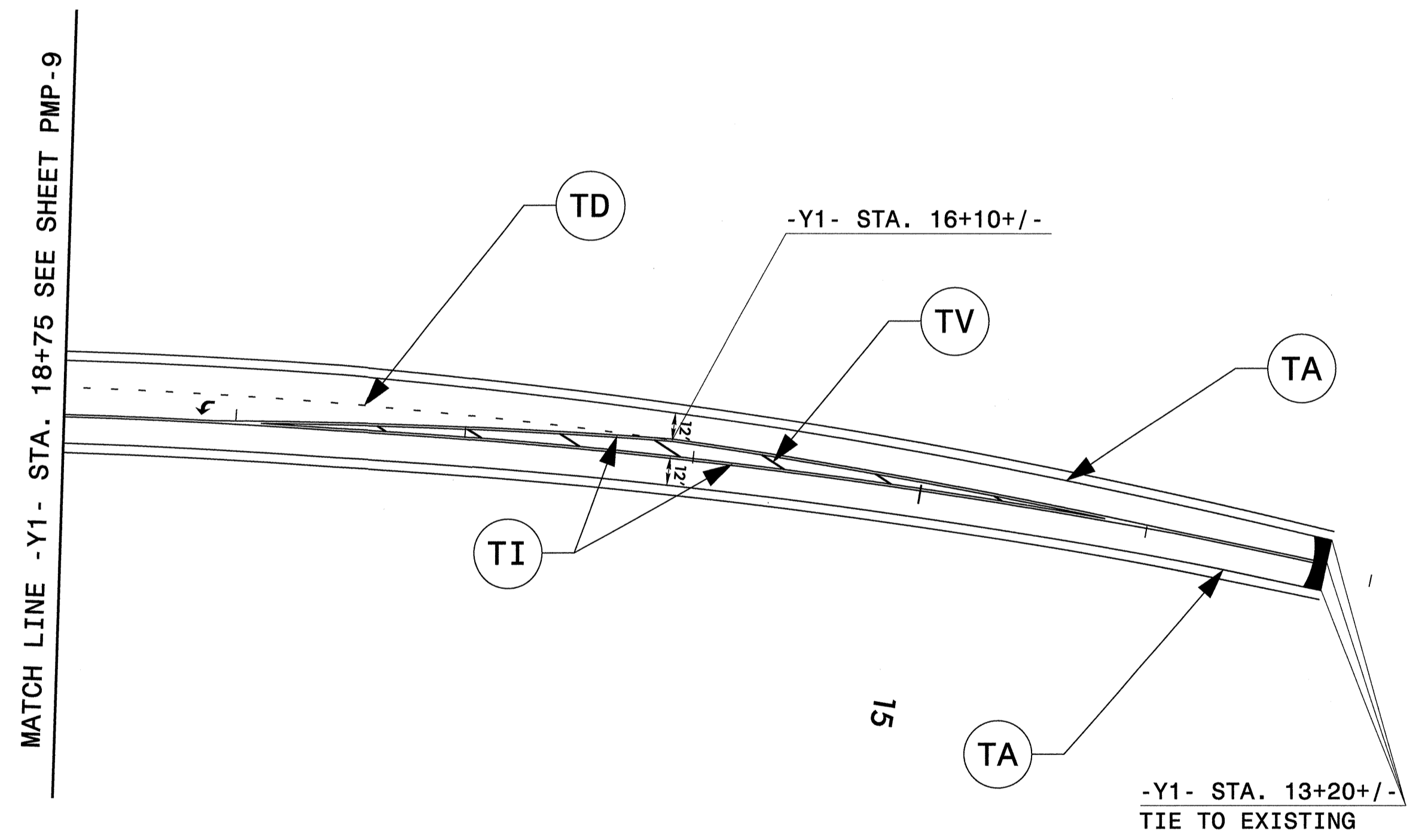
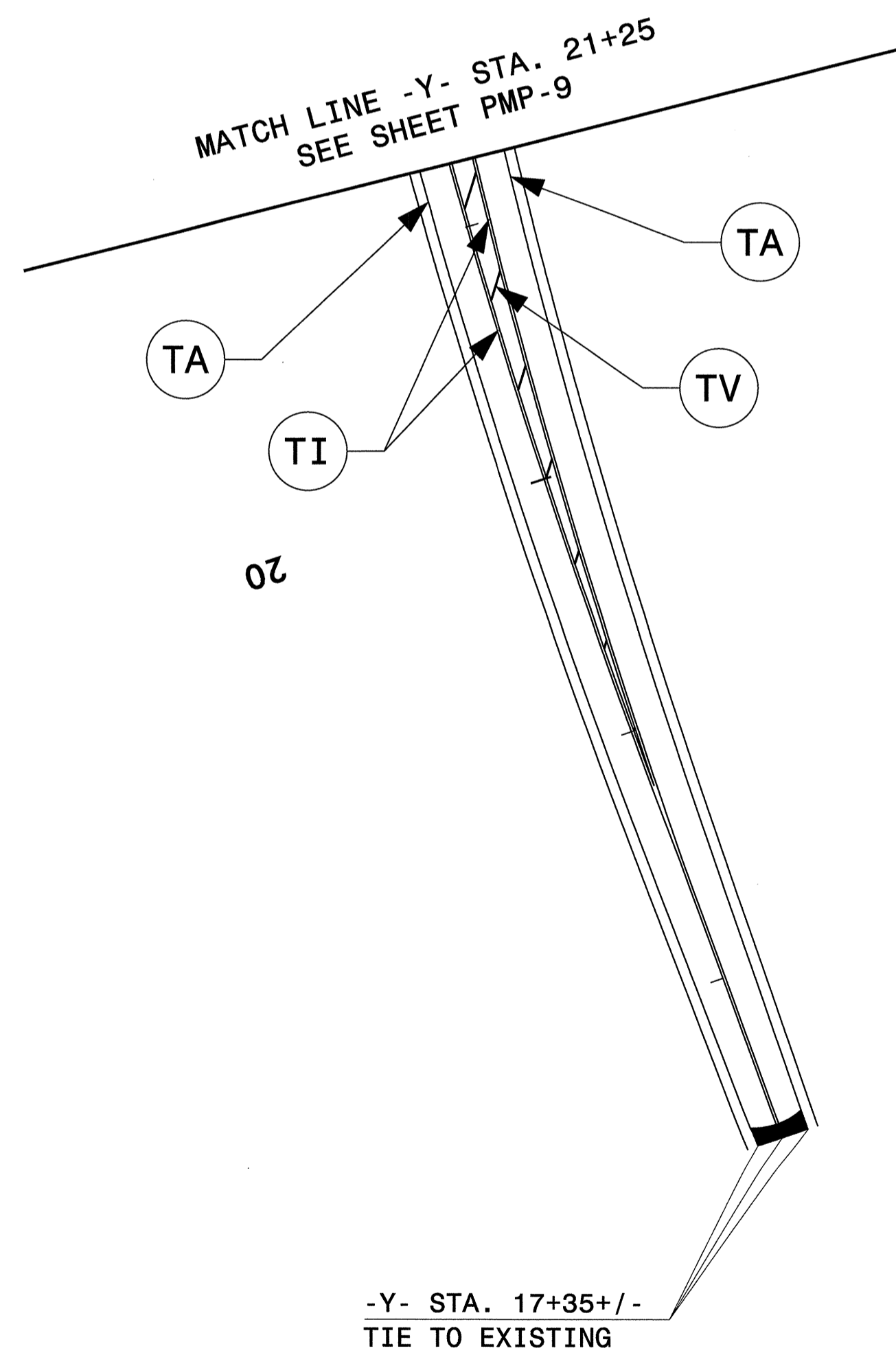
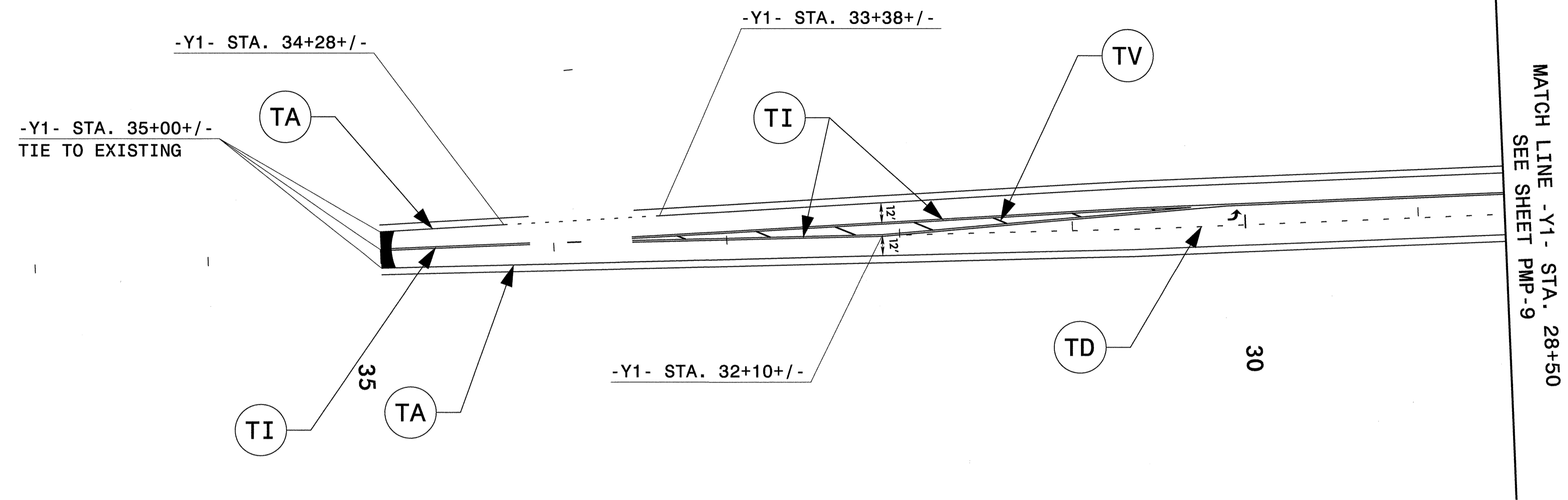
Prepared in the offices of:

RAMEY KEMP ASSOCIATES, INC.
 TRANSPORTATION ENGINEERS
 8808 Farrington Place, Suite 100
 Raleigh, North Carolina 27615
 919-872-5118 Tel. 919-872-6416 Fax.
 www.rameykemp.com

PAVEMENT MARKING DETAIL

TIP NO. R-2612B	SHEET NO. PMP-10
APPROVED: <i>[Signature]</i>	
DATE: 2/20/14	
SEAL	
	

SYMBOL LEGEND	
	UA LEFT ARROW



Prepared in the offices of:

RAMEY KEMP ASSOCIATES, INC.
 TRANSPORTATION ENGINEERS
 8808 Farrington Place, Suite 100
 Raleigh, North Carolina 27617
 919-872-9116 Tel, 919-875-8410 Fax
 www.rameykemp.com

PAVEMENT MARKING DETAIL