

09/08/99

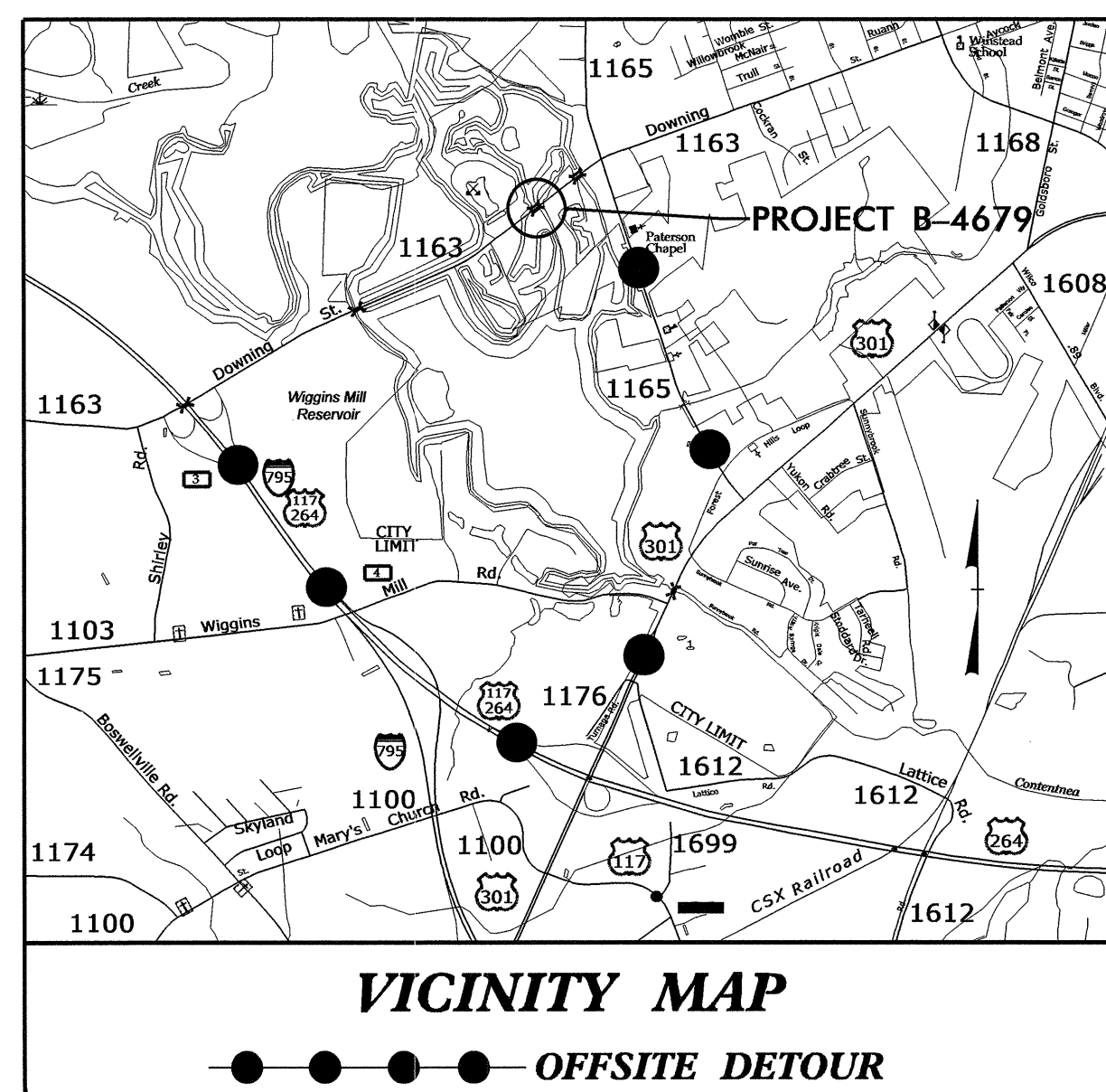
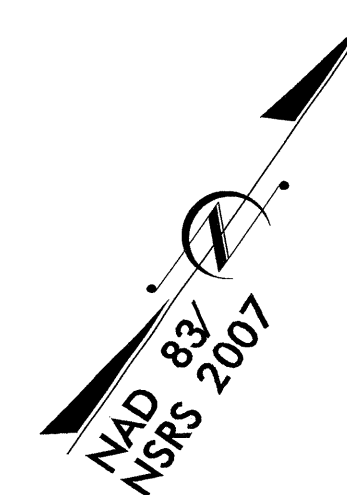
TIP PROJECT: B-4679

T.I.P. NO.	SHEET NO.
B-4679	UO-1

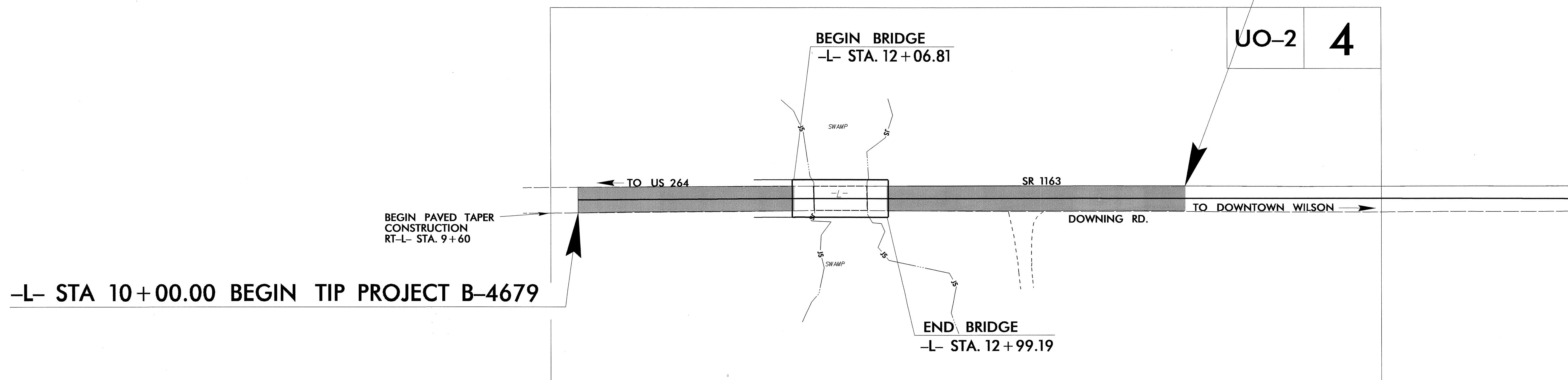
STATE OF NORTH CAROLINA
DIVISION OF HIGHWAYS

**UTILITIES BY OTHERS PLANS
WILSON COUNTY**

LOCATION: BRIDGE NO. 66 OVER A SWAMP ON SR 1163 DOWNING RD.
TYPE OF WORK: RELOCATION OF POWER AND TELEPHONE

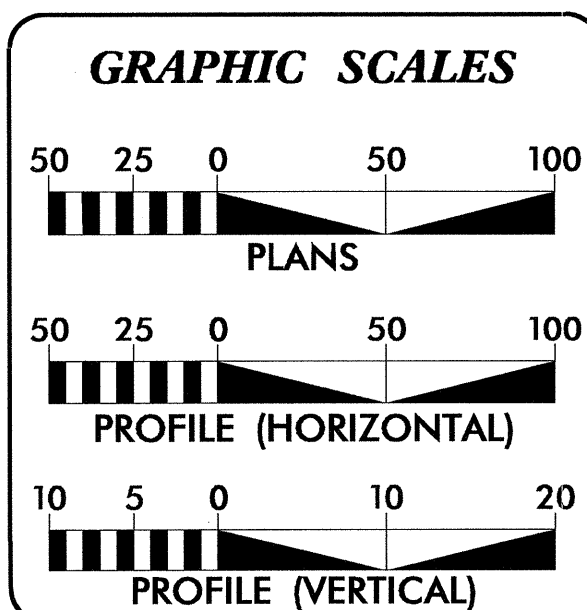


-L- STA 15+86.00 END TIP PROJECT B-4679



-L- STA 10+00.00 BEGIN TIP PROJECT B-4679

11-APR-2013 11:51
R:\UTILITIES\RCV_UT\Proj\B-4679_Ut_UO1sh.dgn
\$\$\$\$\$SERNAME\$\$\$\$\$



INDEX OF SHEETS

SHEET NO.	DESCRIPTION
UO-1	TITLE SHEET
UO-2	UTILITY BY OTHERS PLAN SHEET

UTILITY OWNERS ON PROJECT

- CITY OF WILSON POWER
- CENTURYLINK TELEPHONE

PREPARED IN THE OFFICE OF:
**DIVISION OF HIGHWAYS
UTILITIES UNIT
UTILITIES ENGINEERING**

1555 MAIL SERVICES CENTER
RALEIGH, NC 27699-1555
PHONE (919) 707-6690
FAX (919) 250-4151

Roger Worthington, P.E. UTILITIES SECTION ENGINEER
Corey Bonsquet, P.E. UTILITIES SQUAD LEADER PROJECT ENGINEER
Kelvin Martin UTILITIES PROJECT DESIGNER

