

STATE OF NORTH CAROLINA
DEPARTMENT OF TRANSPORTATION

TIP NO. B-4772	SHEET NO. PMP-1
APPROVED: <i>[Signature]</i>	
DATE: 12-3-12	
SEAL	



PAVEMENT MARKING PLAN
JOHNSTON COUNTY

LOCATION: BRIDGE NO. 326 OVER MILL BRANCH CREEK
AND APPROACHES ON SR 1525 (CORNWALLIS ROAD)

ROADWAY STANDARD DRAWING

THE FOLLOWING ROADWAY STANDARDS AS APPEAR IN "ROADWAY STANDARD DRAWINGS" - PROJECT SERVICES UNIT - N.C. DEPARTMENT OF TRANSPORTATION - RALEIGH, N.C., DATED JANUARY 2012 ARE APPLICABLE TO THIS PROJECT AND BY REFERENCE HEREBY ARE CONSIDERED A PART OF THESE PLANS:

STD. NO.	TITLE
1205.01	PAVEMENT MARKINGS - LINE TYPES AND OFFSETS
1205.02	PAVEMENT MARKINGS - TWO-LANE AND MULTI-LANE ROADWAYS
1205.12	PAVEMENT MARKINGS - BRIDGES
1261.01	GUARDRAIL AND BARRIER DELINEATORS - INSTALLATION SPACING
1261.02	GUARDRAIL AND BARRIER DELINEATORS - TYPES AND MOUNTING
1262.01	GUARDRAIL END DELINEATION

GENERAL NOTES

THE FOLLOWING GENERAL NOTES APPLY AT ALL TIMES FOR THE DURATION OF THE CONSTRUCTION PROJECT, EXCEPT WHEN OTHERWISE NOTED IN THE PLAN, OR DIRECTED BY THE ENGINEER.

- A) INSTALL PAVEMENT MARKINGS AND PAVEMENT MARKERS ON THE FINAL SURFACE AS FOLLOWS:

ROAD NAME	MARKING	MARKER
-L- BRIDGE DECK	THERMOPLASTIC	NONE
SR 1525 (CORNWALLIS ROAD)	THERMOPLASTIC	NONE
- B) TIE PROPOSED PAVEMENT MARKING LINES TO EXISTING PAVEMENT MARKING LINES.
- C) REMOVE/REPLACE ANY CONFLICTING/DAMAGED PAVEMENT MARKINGS AND MARKERS.
- D) PASSING ZONES WILL BE DETERMINED IN THE FIELD AND MUST BE APPROVED BY THE ENGINEER.

PAVEMENT MARKING SCHEDULE

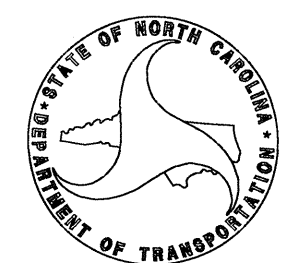
SYMBOL	DESCRIPTION
TA	THEMOPLASTIC(4", 90 MIL) WHITE EDGELINE
TI	THEMOPLASTIC(4", 120 MIL) YELLOW DOUBLE CENTER

INDEX

SHEET NO.	DESCRIPTION
PMP-1	PAVEMENT MARKING PLAN TITLE SHEET
PMP-2	PAVEMENT MARKING DETAIL


PLAN PREPARED BY: N.C.D.O.T. SIGNING AND DELINEATION UNIT

AYMEN I. ALQUDWAH P.E. SIGNING & DELINEATION REGIONAL ENGINEER
BARRY NOWLIN SIGNING & DELINEATION PROJECT DESIGN TECHNICIAN



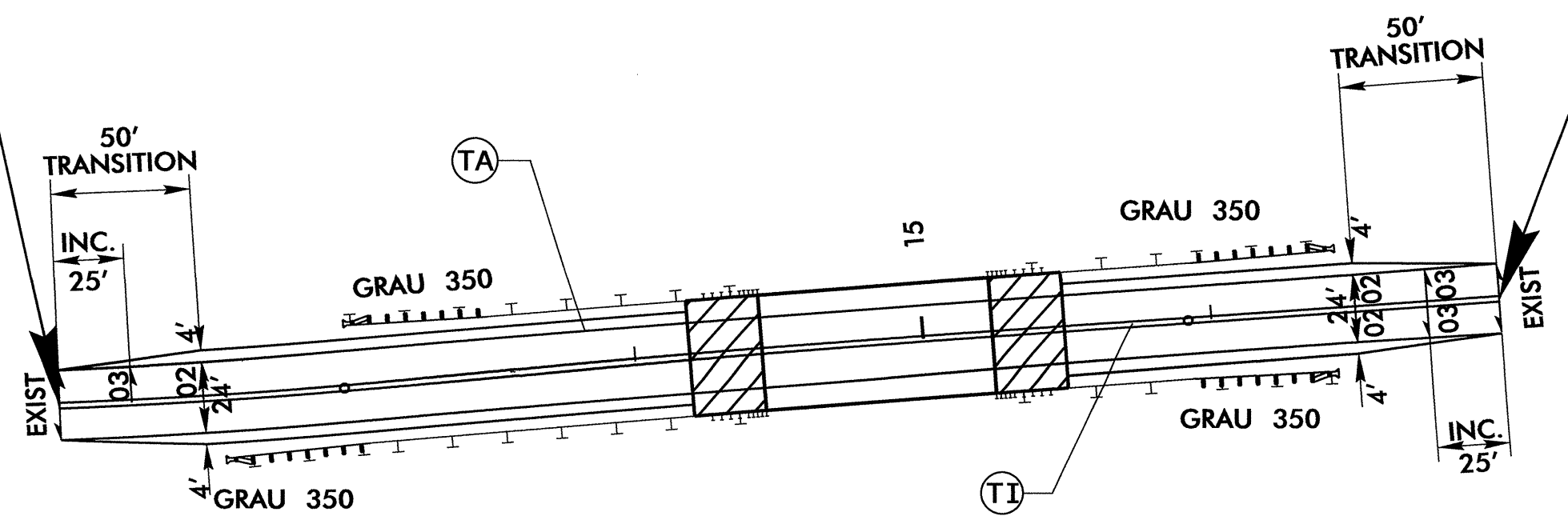
T.I.P.: B-4772

CONTRACT: C203088

TIP NO.	SHEET NO.
B-4772	PMP-2
APPROVED: <i>[Signature]</i>	
DATE: 12-3-12	
SEAL	
	

STA. 12+00 -L- BEGIN TIP PROJECT B-4772
TIE TO EXISTING MARKINGS

STA. 17+00 -L- END TIP PROJECT B-4772
TIE TO EXISTING MARKINGS



PAVEMENT MARKING DETAIL

03-DEC-2012 10:45
R:\Project\Signing\CADD\PM\B-4772.Pavement Marking Seed.dgn
Drawn: AT 12/24/12