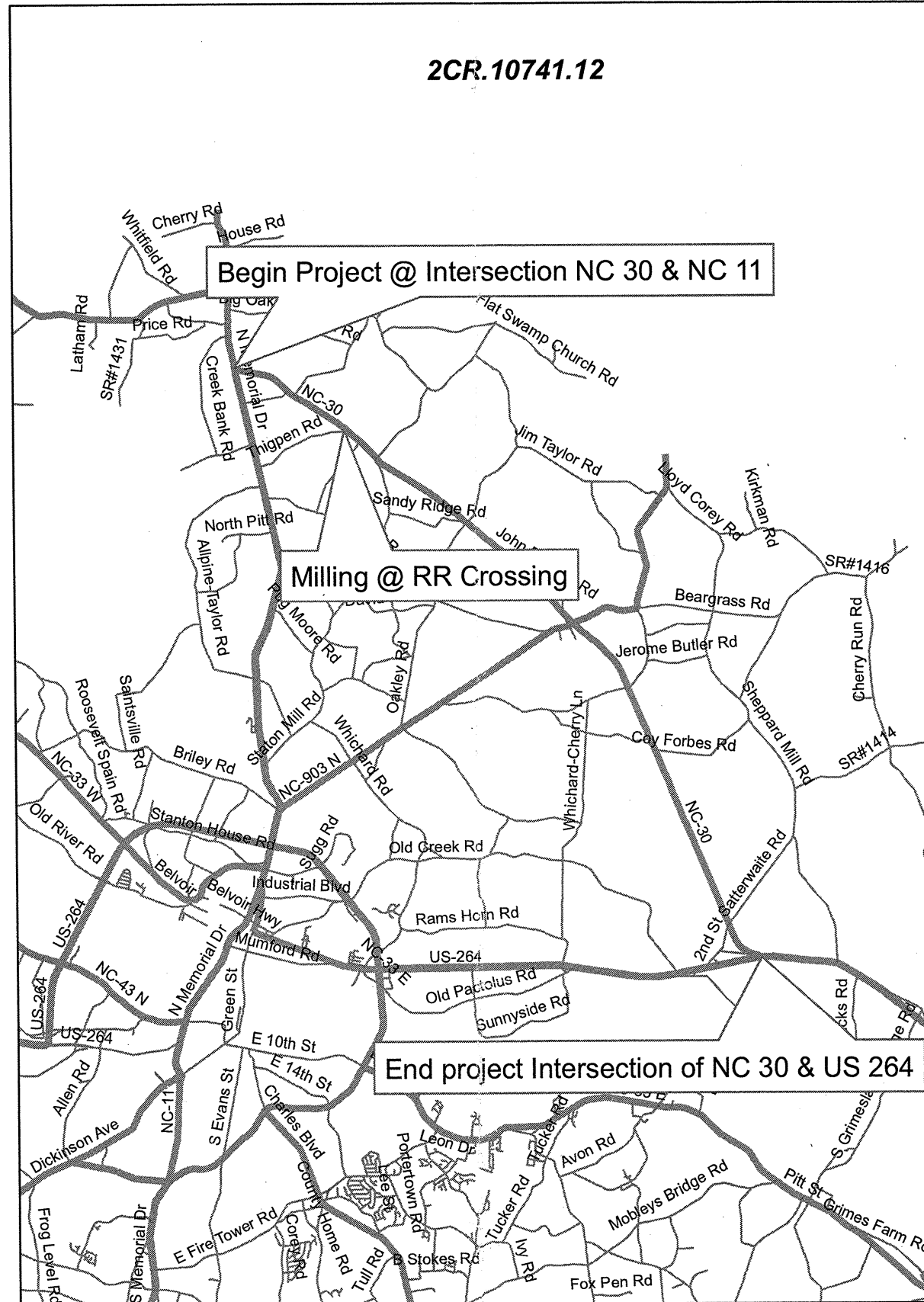


**WIDEN AND RESURFACE NC 30 IN PITT COUNTY**

2CR.10741.12



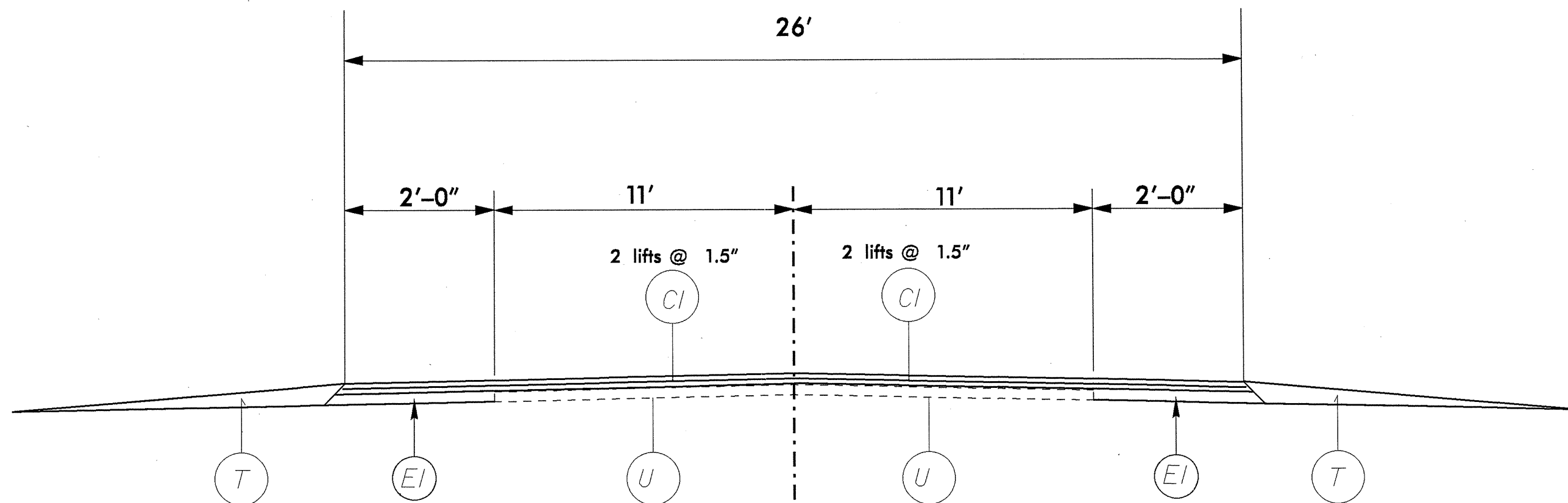
10/26/98

### PAVEMENT SCHEDULE

|    |  |
|----|--|
| C1 | PROP APPROX, 3" ASPHALT CONCRETE SURFACE COURSE, TYPE S9.5B, AT AN AVERAGE RATE OF 168 LBS PER SQ YD 2- 1.5" LIFTS |
| E1 | PROP APPROX, 5" ASPHALT CONCRETE BASE COURSE TYPE B25.0B AT AN AVERAGE RATE OF 570 LBS PER SQ YD                   |
| T  | SHOULDER RECONSTRUCTION (BY STATE FORCES)  |
| U  | EXISTING PAVEMENT  |

NOTE: PAVEMENT EDGE SLOPES ARE 1:1 UNLESS SHOWN OTHERWISE.

## NC 30 Widen & Resurface



TYPICAL SECTION # 1

USE MAP 1

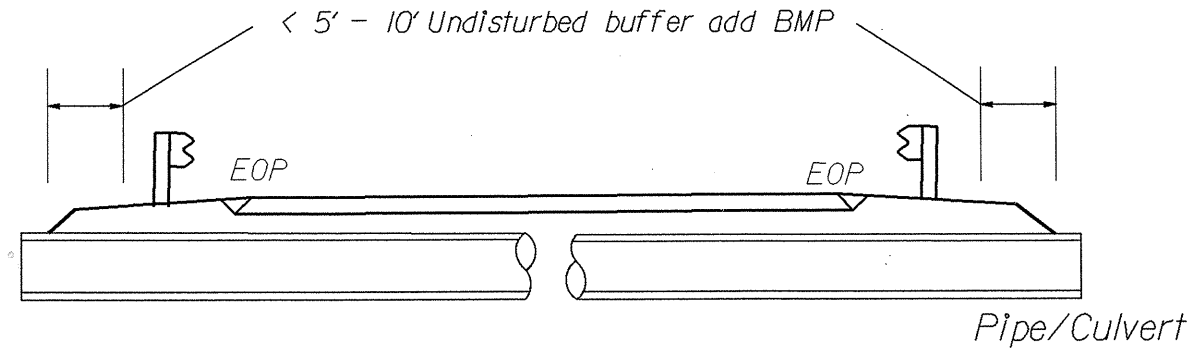
## SHOULDER RECONSTRUCTION BY STATE FORCES

14-NOV-2012 14:42  
c:\resurf\paving\projects\Division 2\pittnc30\nc 30 typ.dgn  
Author: AT 15126163

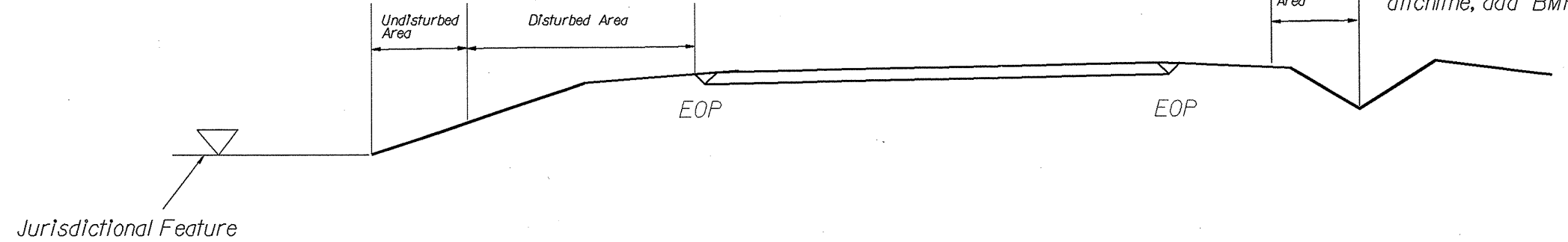
NOTES: Less than 5' - 10' undisturbed buffer from ROW, ditchline, water feature, or drainage inlet, add BMP.

BMP Options: Wattle or Silt Fence

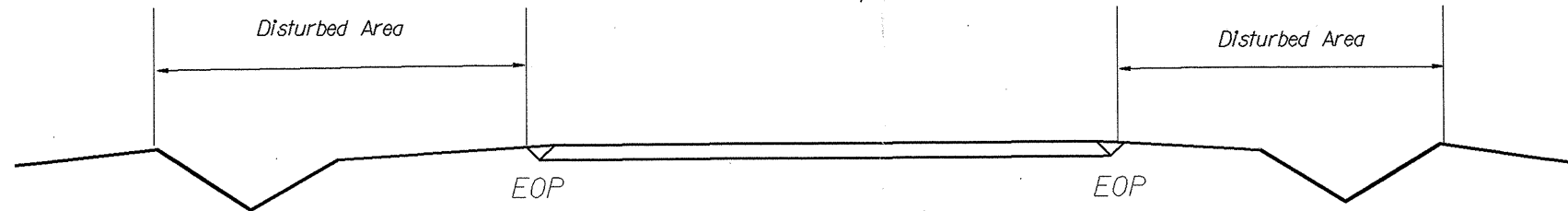
# EROSION CONTROL DETAIL



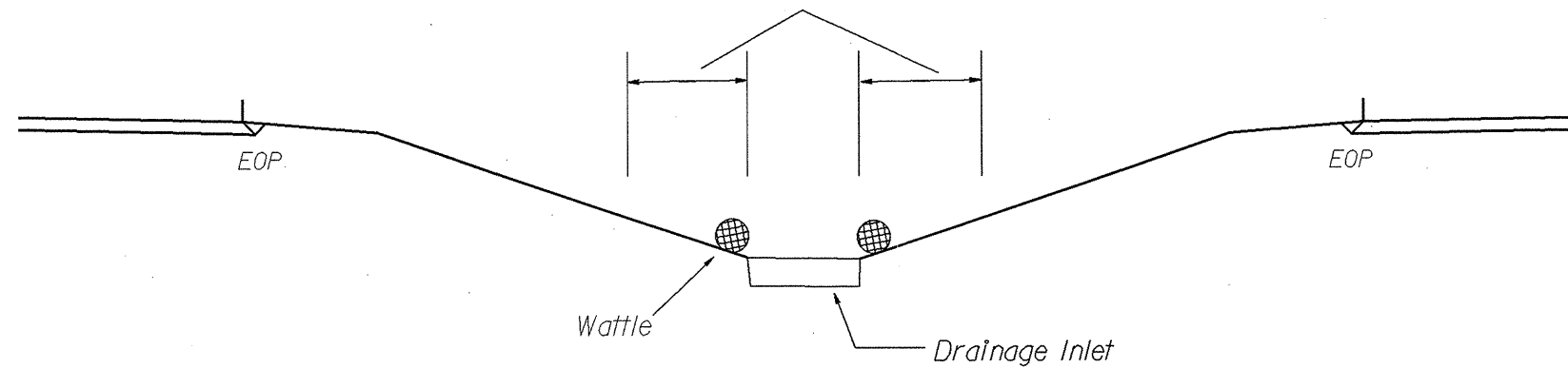
< 5' - 10' Undisturbed buffer from jurisdictional feature add BMP



Use BMP's if shoulders and/or frontslopes and/or ditchline and/or backslopes are disturbed



< 5' - 10' Undisturbed buffer from inlet, add wattle



NOT TO SCALE

# WATTLE WITH POLYACRYLAMIDE (PAM) DETAIL

**NOTES:**

USE MINIMUM 12 IN. DIAMETER EXCELSIOR WATTLE.

USE 2 FT. WOODEN STAKES WITH A 2 IN. BY 2 IN. NOMINAL CROSS SECTION.

ONLY INSTALL WATTLE(S) TO A HEIGHT IN DITCH SO FLOW WILL NOT WASH AROUND WATTLE AND SCOUR DITCH SLOPES AND AS DIRECTED.

INSTALL A MINIMUM OF 2 UPSLOPE STAKES AND 4 DOWNSLOPE STAKES AT AN ANGLE TO WEDGE WATTLE TO BOTTOM OF DITCH.

PROVIDE STAPLES MADE OF 0.125 IN. DIAMETER STEEL WIRE FORMED INTO A U SHAPE NOT LESS THAN 12" IN LENGTH.

INSTALL STAPLES APPROXIMATELY EVERY 1 LINEAR FOOT ON BOTH SIDES OF WATTLE AND AT EACH END TO SECURE IT TO THE SOIL.

INSTALL MATTING IN ACCORDANCE WITH SECTION 1631 OF THE STANDARD SPECIFICATIONS.

PRIOR TO POLYACRYLAMIDE (PAM) APPLICATION, OBTAIN A SOIL SAMPLE FROM PROJECT LOCATION, AND FROM OFFSITE MATERIAL, AND ANALYZE FOR APPROPRIATE PAM FLOCCULANT TO BE APPLIED TO EACH WATTLE.

INITIALLY APPLY 2 OUNCES OF ANIONIC OR NEUTRALLY CHARGED PAM OVER WATTLE WHERE WATER WILL FLOW AND 1 OUNCE OF PAM ON MATTING ON EACH SIDE OF WATTLE. REAPPLY PAM AFTER EVERY RAINFALL EVENT THAT IS EQUAL TO OR EXCEEDS 0.60 IN.

