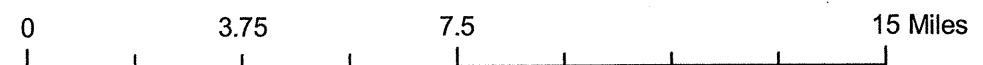
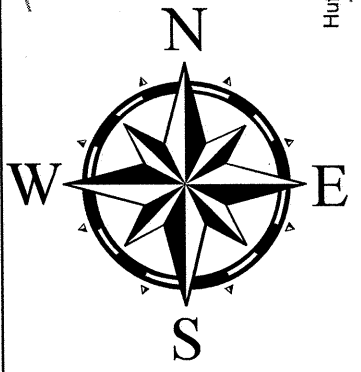


**2CR.10251.11**  
**JONES COUNTY**  
**WIDEN & RESURFACE NC 41**  
**FROM INTERSECTION OF NC 58 & NC 41**  
**TO SR 1003**

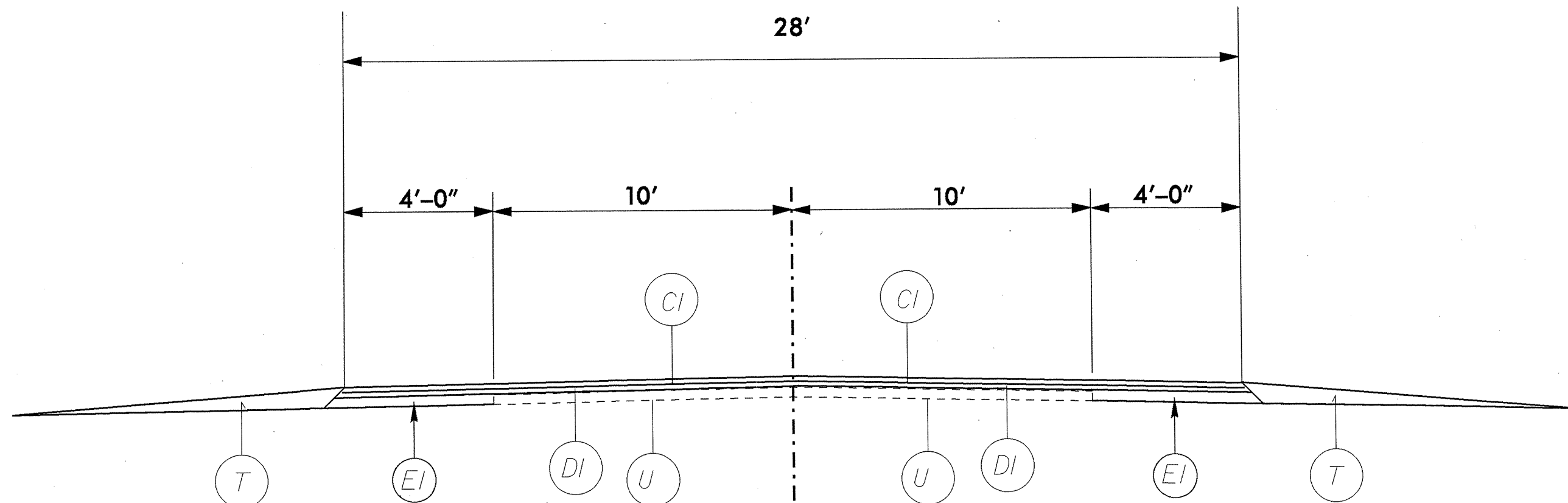


# PAVEMENT SCHEDULE

C1	PROP APPROX, 1 1/2" ASPHALT CONCRETE SURFACE COURSE, TYPE S9.5B, AT AN AVERAGE RATE OF 168 LBS PER SQ YD
D1	PROP APPROX, 2.5" ASPHALT CONCRETE INTERMEDIATE COURSE TYPE I19.0B AT AN AVERAGE RATE OF 285 LBS PER SQ YD
E1	PROP APPROX, 5" ASPHALT CONCRETE BASE COURSE TYPE B25.0B AT AN AVERAGE RATE OF 570 LBS PER SQ YD
U	EXISTING PAVEMENT
T	SHOULDER RECONSTRUCTION

NOTE: PAVEMENT EDGE SLOPES ARE 1:1 UNLESS SHOWN OTHERWISE.

## NC 41 Widen & Resurface



TYPICAL SECTION # 1

USE MAP 1

SHOULDER RECONSTRUCTION TO BE COMPLETED BY STATE FORCES.

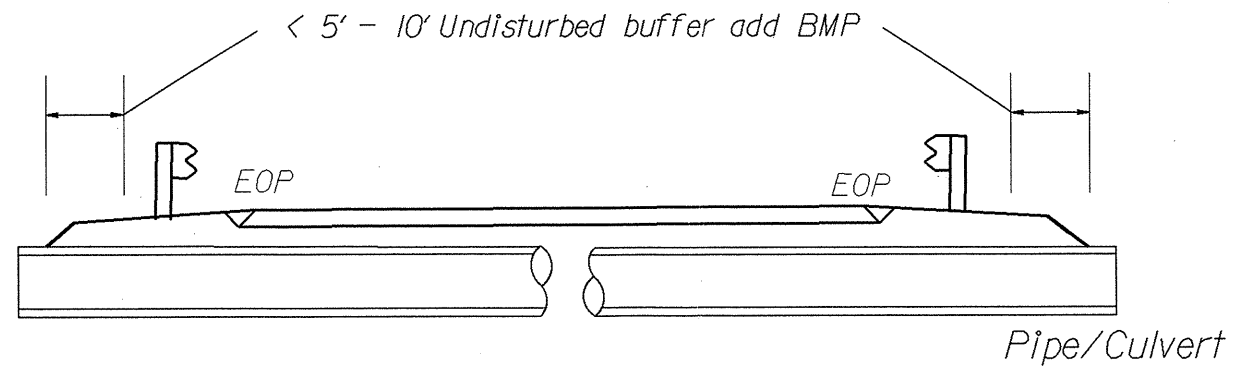
10/26/98

06-NOV-2012 11:04  
Projects\Resurf\2012\Projects\Division 2\Jones\nc 41 typ.dgn  
Author: At 10/26/98

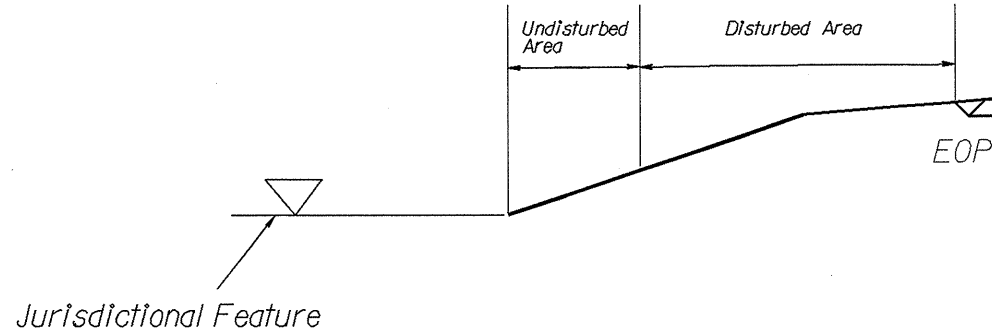
NOTES: Less than 5' - 10' undisturbed buffer from ROW, ditchline, water feature, or drainage inlet, add BMP.

BMP Options: Wattle or Silt Fence

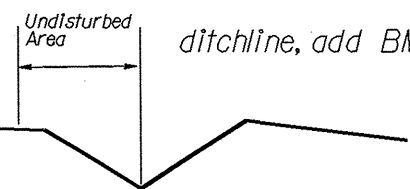
# EROSION CONTROL DETAIL



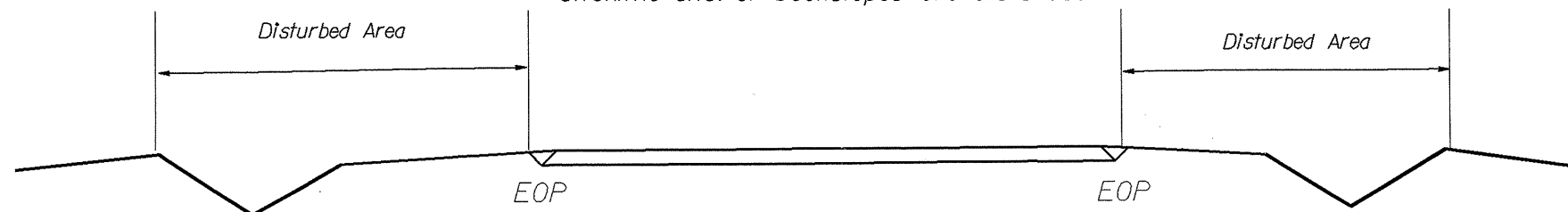
< 5' - 10' Undisturbed buffer from jurisdictional feature add BMP



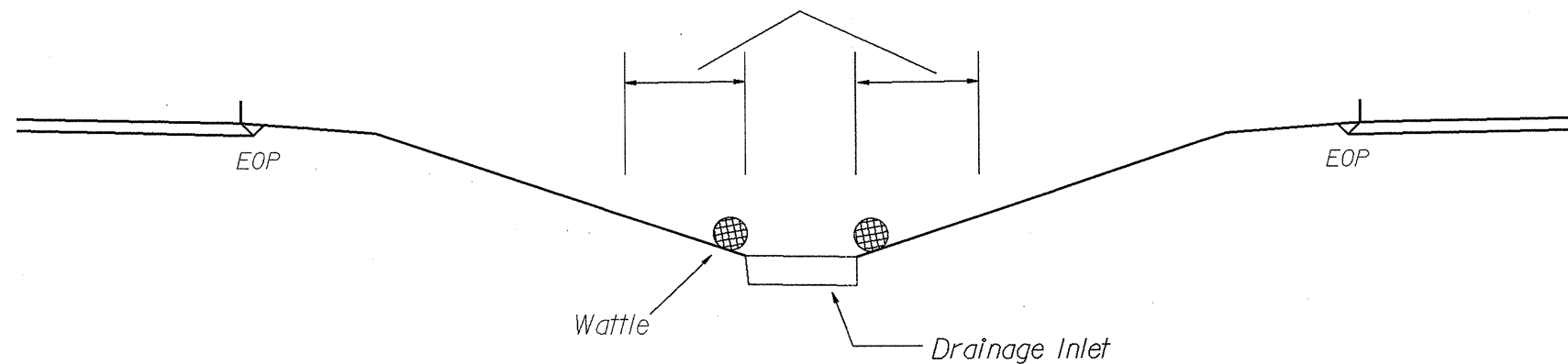
< 5' - 10' Undisturbed buffer from ditchline, add BMP



Use BMP's if shoulders and/or frontslopes and/or ditchline and/or backslopes are disturbed



< 5' - 10' Undisturbed buffer from inlet, add wattle



NOT TO SCALE

# WATTLE WITH POLYACRYLAMIDE (PAM) DETAIL

**NOTES:**

USE MINIMUM 12 IN. DIAMETER EXCELSIOR WATTLE.

USE 2 FT. WOODEN STAKES WITH A 2 IN. BY 2 IN. NOMINAL CROSS SECTION.

ONLY INSTALL WATTLE(S) TO A HEIGHT IN DITCH SO FLOW WILL NOT WASH AROUND WATTLE AND SCOUR DITCH SLOPES AND AS DIRECTED.

INSTALL A MINIMUM OF 2 UPSLOPE STAKES AND 4 DOWNSLOPE STAKES AT AN ANGLE TO WEDGE WATTLE TO BOTTOM OF DITCH.

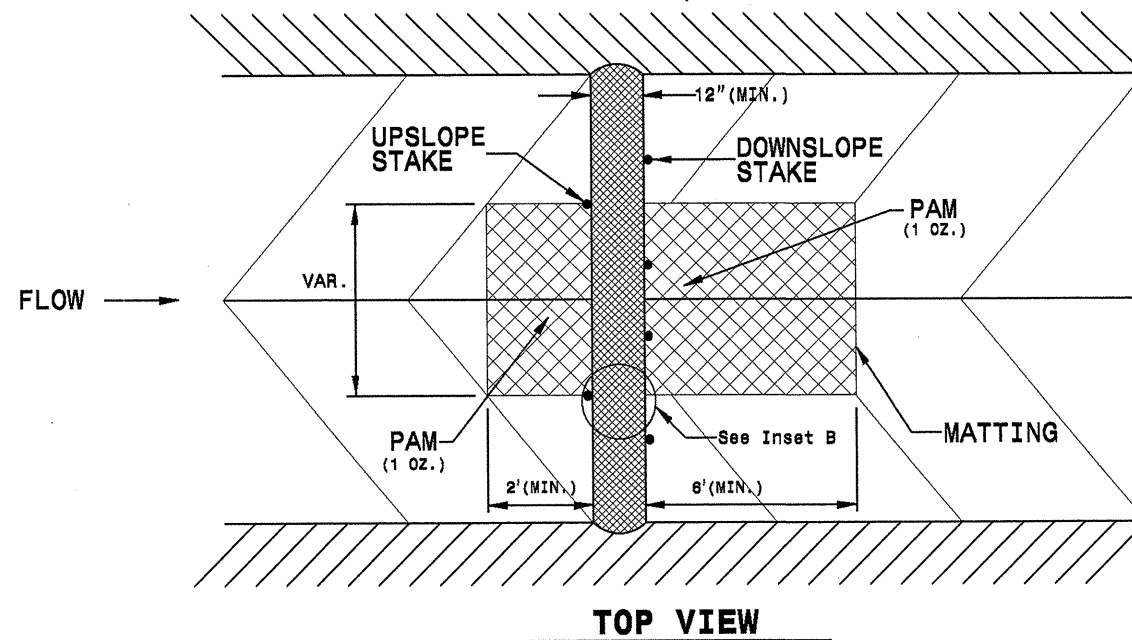
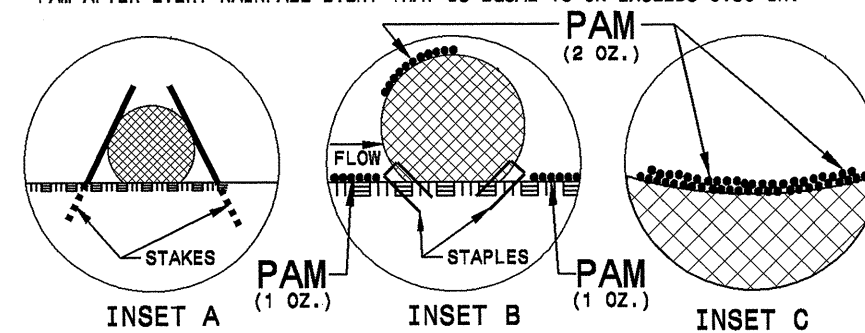
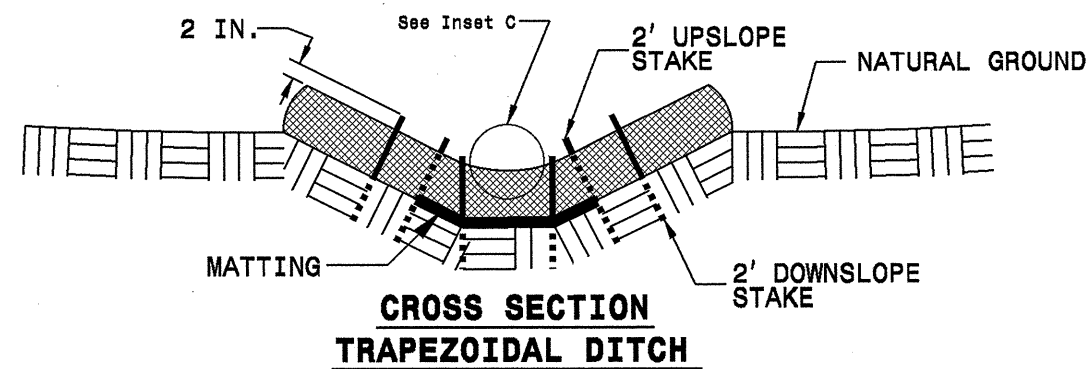
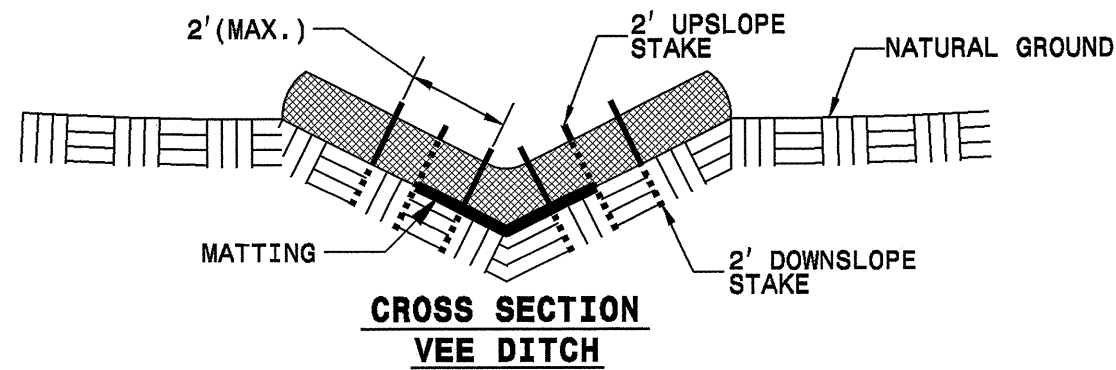
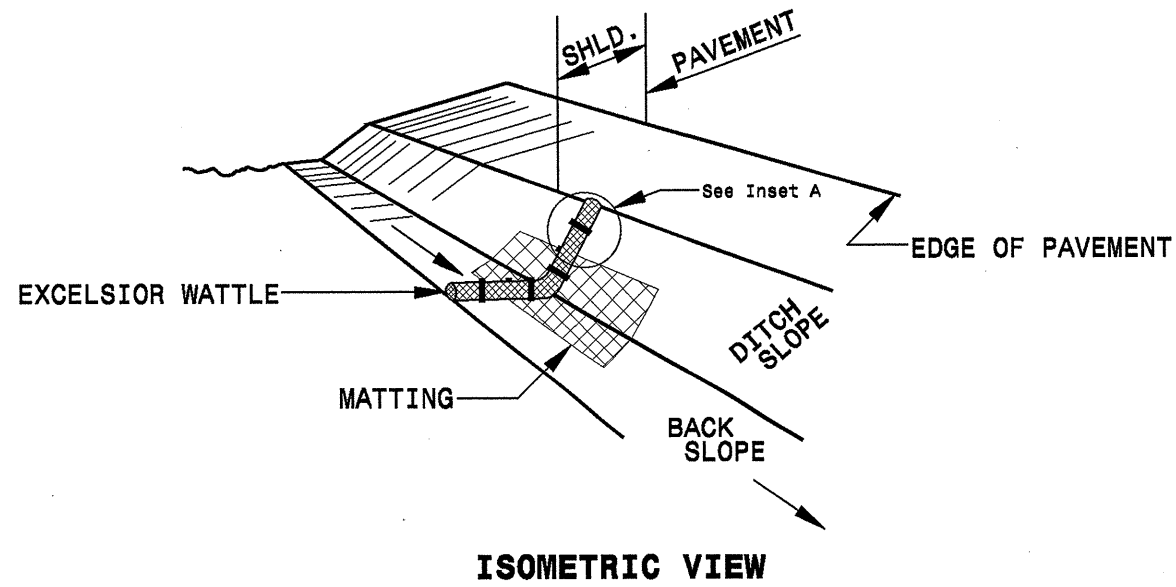
PROVIDE STAPLES MADE OF 0.125 IN. DIAMETER STEEL WIRE FORMED INTO A U SHAPE NOT LESS THAN 12" IN LENGTH.

INSTALL STAPLES APPROXIMATELY EVERY 1 LINEAR FOOT ON BOTH SIDES OF WATTLE AND AT EACH END TO SECURE IT TO THE SOIL.

INSTALL MATTING IN ACCORDANCE WITH SECTION 1031 OF THE STANDARD SPECIFICATIONS.

PRIOR TO POLYACRYLAMIDE (PAM) APPLICATION, OBTAIN A SOIL SAMPLE FROM PROJECT LOCATION, AND FROM OFFSITE MATERIAL, AND ANALYZE FOR APPROPRIATE PAM FLOCCULANT TO BE APPLIED TO EACH WATTLE.

INITIALLY APPLY 2 OUNCES OF ANIONIC OR NEUTRALLY CHARGED PAM OVER WATTLE WHERE WATER WILL FLOW AND 1 OUNCE OF PAM ON MATTING ON EACH SIDE OF WATTLE. REAPPLY PAM AFTER EVERY RAINFALL EVENT THAT IS EQUAL TO OR EXCEEDS 0.50 IN.



PROJECT NO.	SHEET NO.	TOTAL NO.
2CR.10251.11	5	

### SUMMARY OF QUANTITIES

PROJECT NO	COUNTY	MAP NO	ROUTE	DESCRIPTION	TYP NO	FINAL SURFACE TESTING REQUIRED	LENGTH MI	WIDTH FT	INCIDENTAL MILLING SY	BASE COURSE, B25.0B TONS	INTERMEDIATE COURSE, I19.0B TONS	SURFACE COURSE, S9.5B TONS	ASPHALT BINDER FOR PLANT MIX TONS	6" DRIVEWAYS SY	TEMPORARY SILT FENCE LF	WATTLE LF	POLY-ACRYLAMIDE (PAM) LB
2CR.10251.11	Jones	1	NC 41 IN JONES COUNTY	WIDEN STRENGTHEN & RESURFACE FROM SR 1003 TO NC 58	1	NO	7.746	28	444	11,991	20,093	11,810	2,201	70	500	300	100
<b>TOTAL FOR PROJ NO. NC 41</b>							<b>7.746</b>		<b>444</b>	<b>11,991</b>	<b>20,093</b>	<b>11,810</b>	<b>2,201</b>	<b>70</b>	<b>500</b>	<b>300</b>	<b>100</b>

### THERMOPLASTIC AND PAINT QUANTITIES

PROJECT NO	COUNTY	MAP NO	ROUTE	DESCRIPTION	LENGTH	WIDTH	4685000000-E	4686000000-E	4702000000-E	4810000000-E		4825000000-E	4905000000-N
							4" X 90 M WHITE THERMO LF	4" X 120 M YELLOW THERMO LF	12" X 120 M WHITE THERMO LF	4" WHITE PAINT LF	4" YELLOW PAINT LF	12" WHITE PAINT LF	SNOWPLOWABLE PAVEMENT MARKERS EA
2CR.10251.11	Jones	1	NC 41 IN JONES COUNTY	WIDEN STRENGTHEN & RESURFACE FROM SR 1003 TO NC 58	7.746	28	83,347	51,124	60	171,299	105,072	60	455
<b>TOTAL FOR PROJ NO. NC 41</b>					<b>7.746</b>		<b>83,347</b>	<b>51,124</b>	<b>60</b>	<b>171,299</b>	<b>105,072</b>	<b>60</b>	<b>455</b>
										<b>276,371</b>			