


**STATE OF NORTH CAROLINA
DEPARTMENT OF TRANSPORTATION**

**PAVEMENT MARKING PLAN
GASTON COUNTY**

**LOCATION: BRIDGE NO. 200 ON SR 1905 (BLACKSNAKE RD.)
OVER STANLEY CREEK**

TIP NO. B-4118	SHEET NO. PMP-1
APPROVED: <i>[Signature]</i>	
DATE: 3/26/12	
SEAL	
	

T.I.P.: B-4118

CONTRACT: C202841

ROADWAY STANDARD DRAWING

THE FOLLOWING ROADWAY STANDARDS AS APPEAR IN "ROADWAY STANDARD DRAWINGS" - PROJECT SERVICES UNIT - N.C. DEPARTMENT OF TRANSPORTATION - RALEIGH, N.C., DATED JANUARY 2012 ARE APPLICABLE TO THIS PROJECT AND BY REFERENCE HEREBY ARE CONSIDERED A PART OF THESE PLANS:

STD. NO.	TITLE
1205.01	PAVEMENT MARKINGS - LINE TYPES AND OFFSETS
1205.02	PAVEMENT MARKINGS - 2 LANE AND MULTILANE ROADWAYS
1205.12	PAVEMENT MARKINGS - BRIDGES
1250.01	PAVEMENT MARKER SPACING
1261.01	GUARDRAIL AND BARRIER DELINEATOR SPACING
1261.02	GUARDRAIL AND BARRIER DELINEATOR TYPES
1262.01	GUARDRAIL END DELINEATION

GENERAL NOTES

THE FOLLOWING GENERAL NOTES APPLY AT ALL TIMES FOR THE DURATION OF THE CONSTRUCTION PROJECT, EXCEPT WHEN OTHERWISE NOTED IN THE PLAN, OR DIRECTED BY THE ENGINEER.

- A) INSTALL PAVEMENT MARKINGS AND PAVEMENT MARKERS ON THE FINAL SURFACE AS FOLLOWS:

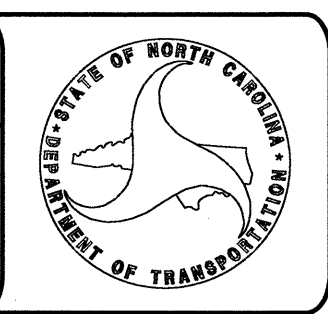
ROAD NAME	MARKING	MARKER
US 221	PAINT	N/A
- B) PLACE TWO APPLICATIONS OF PAINT PAVEMENT MARKINGS ON THE FINAL WEARING SURFACE. PLACE THE SECOND APPLICATION OF PAINT UPON SUFFICIENT DRYING TIME OF THE FIRST.
- C) TIE PROPOSED PAVEMENT MARKING LINES TO EXISTING PAVEMENT MARKING LINES.
- D) PASSING ZONES WILL BE DETERMINED IN THE FIELD AND MUST BE APPROVED BY THE ENGINEER.
- E) REMOVE ALL RESIDUE AND SURFACE LAITANCE BY ACCEPTABLE METHODS ON THE BRIDGE DECK(S) PRIOR TO PLACING PAINT PAVEMENT MARKING.

INDEX

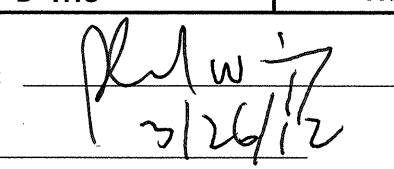

SHEET NO.	DESCRIPTION
PMP-1	PAVEMENT MARKING PLAN TITLE
PMP-2	PAVEMENT MARKING DETAIL AND SCHEDULE SHEET

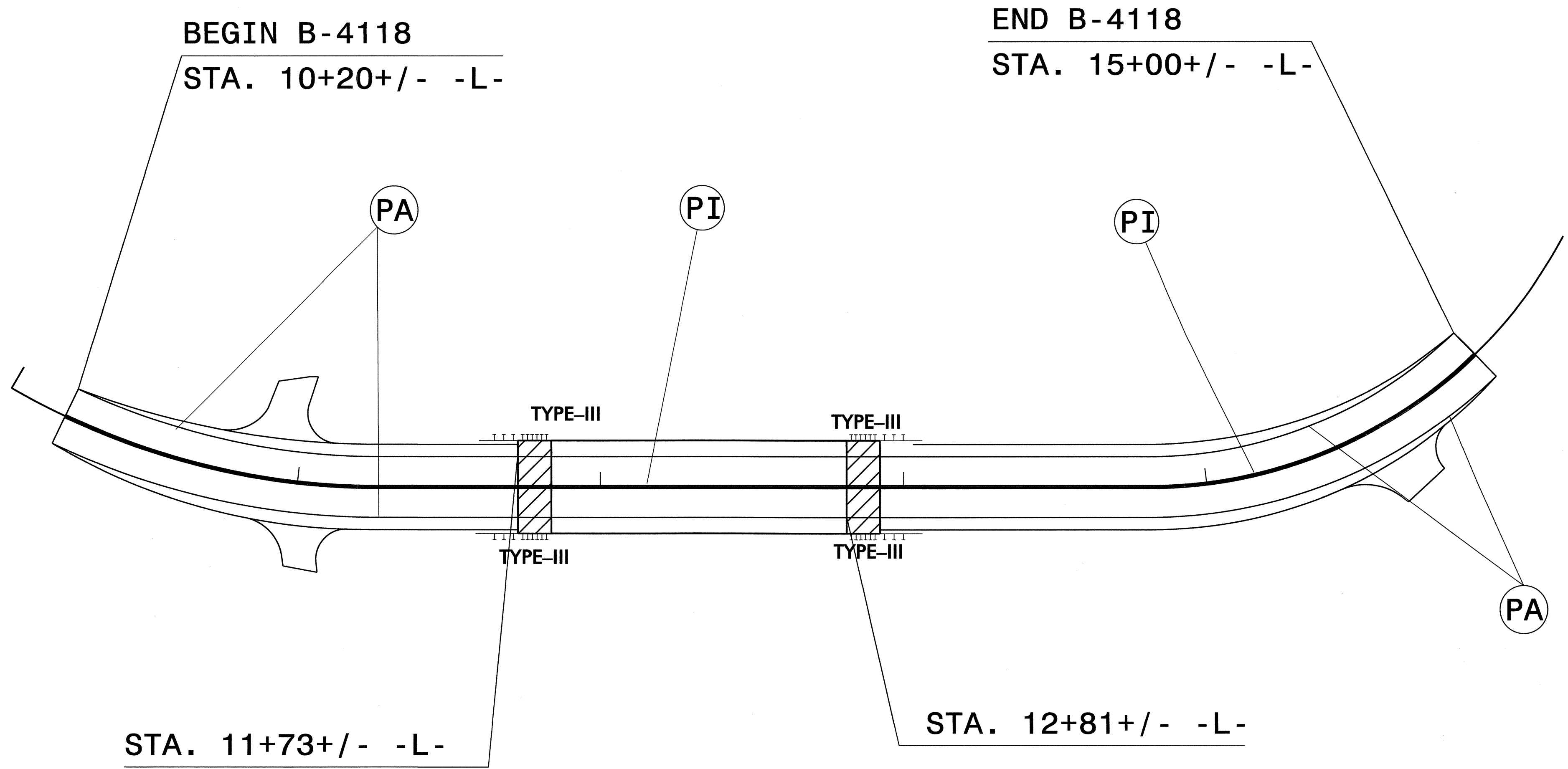
PLAN PREPARED BY: N.C.D.O.T. SIGNING AND DELINEATION UNIT

K. L. JORDAN SIGNING & DELINEATION REGIONAL ENGINEER
J. NAVARRETE SIGNING & DELINEATION DESIGN ENGINEER



22-MAR-2012 11:34
F:\TIP\Projects-B\B4118\Traffic\Signing\CADD\Signing Layout Plans\B-4118_Sgn_BPMP.dgn
Jnavarrete AT 12246703

TIP NO. B-4118	SHEET NO. PMP-2
APPROVED: 	
DATE: _____	
SEAL	
	



PAVEMENT MARKING SCHEDULE	
SYMBOL	DESCRIPTION
PA	WHITE EDGLINE
PI	YELLOW DOUBLE CENTER (4")

PAVEMENT MARKING DETAIL

22-MAR-2012 10:39
 P:\TIP\Projects\B-4118\Traffic\Signing\CADD\Signing Layout\Plans\B-4118_Sgn_BPMP.dgn
 jnnavarrete AT 1E246703