


**STATE OF NORTH CAROLINA  
DEPARTMENT OF TRANSPORTATION**

**PAVEMENT MARKING PLAN**

**COLUMBUS COUNTY**

LOCATION: BRIDGE NO.76 AND 78 ON SR 1006  
OVER GRISSETT SWAMP

TIP NO. B-4473	SHEET NO. PMP-1
APPROVED: <i>[Signature]</i>	
DATE: 7-27-11	
SEAL	



**T.I.P.: B-4473**

**CONTRACT: C202737**

**ROADWAY STANDARD DRAWING**

THE FOLLOWING ROADWAY STANDARDS AS APPEAR IN "ROADWAY STANDARD DRAWINGS" - PROJECT SERVICES UNIT - N.C. DEPARTMENT OF TRANSPORTATION - RALEIGH, N.C., DATED JULY 2006 ARE APPLICABLE TO THIS PROJECT AND BY REFERENCE HEREBY ARE CONSIDERED A PART OF THESE PLANS:

STD. NO.	TITLE
1205.01	PAVEMENT MARKINGS - LINE TYPES AND OFFSETS
1205.02	PAVEMENT MARKINGS - 2 LANE AND MULTILANE ROADWAYS
1205.12	PAVEMENT MARKINGS - BRIDGES
1250.01	PAVEMENT MARKER SPACING
1251.01	RAISED PAVEMENT MARKERS
1261.01	GUARDRAIL AND BARRIER DELINEATOR SPACING
1261.02	GUARDRAIL AND BARRIER DELINEATOR TYPES
1262.01	GUARDRAIL END DELINEATION

**GENERAL NOTES**

THE FOLLOWING GENERAL NOTES APPLY AT ALL TIMES FOR THE DURATION OF THE CONSTRUCTION PROJECT, EXCEPT WHEN OTHERWISE NOTED IN THE PLAN, OR DIRECTED BY THE ENGINEER.

- A) INSTALL PAVEMENT MARKINGS ON THE FINAL SURFACE AS FOLLOWS:

ROAD NAME	MARKING	MARKER
SR 1006	THERMOPLASTIC	RAISED
- B) TIE PROPOSED PAVEMENT MARKING LINES TO EXISTING PAVEMENT MARKING LINES.
- C) REMOVE/REPLACE ANY CONFLICTING/DAMAGED PAVEMENT MARKINGS AND MARKERS.
- D) ALL EXISTING SIGNS ON WOOD & U POST WITHIN THE PROJECT LIMITS SHALL BE REMOVED AND DISPOSED OF UNLESS OTHERWISE NOTED ON PLANS.

Pavement Marking Schedule  
TIP Project # B-4473

FINAL  
PAVEMENT MARKINGS

TA	WHITE EDGELINE	THERMOPLASTIC(4")
TI	YELLOW DOUBLE CENTER MARKERS	THERMOPLASTIC(4")
MA	YELLOW & YELLOW	RAISED

**PLAN PREPARED BY: N.C.D.O.T. SIGNING AND DELINEATION UNIT**

A. ALQUDWAH, P.E.	SIGNING & DELINEATION REGIONAL ENGINEER
BARRY NOWLIN	SIGNING & DELINEATION PROJECT DESIGN TECHNICIAN

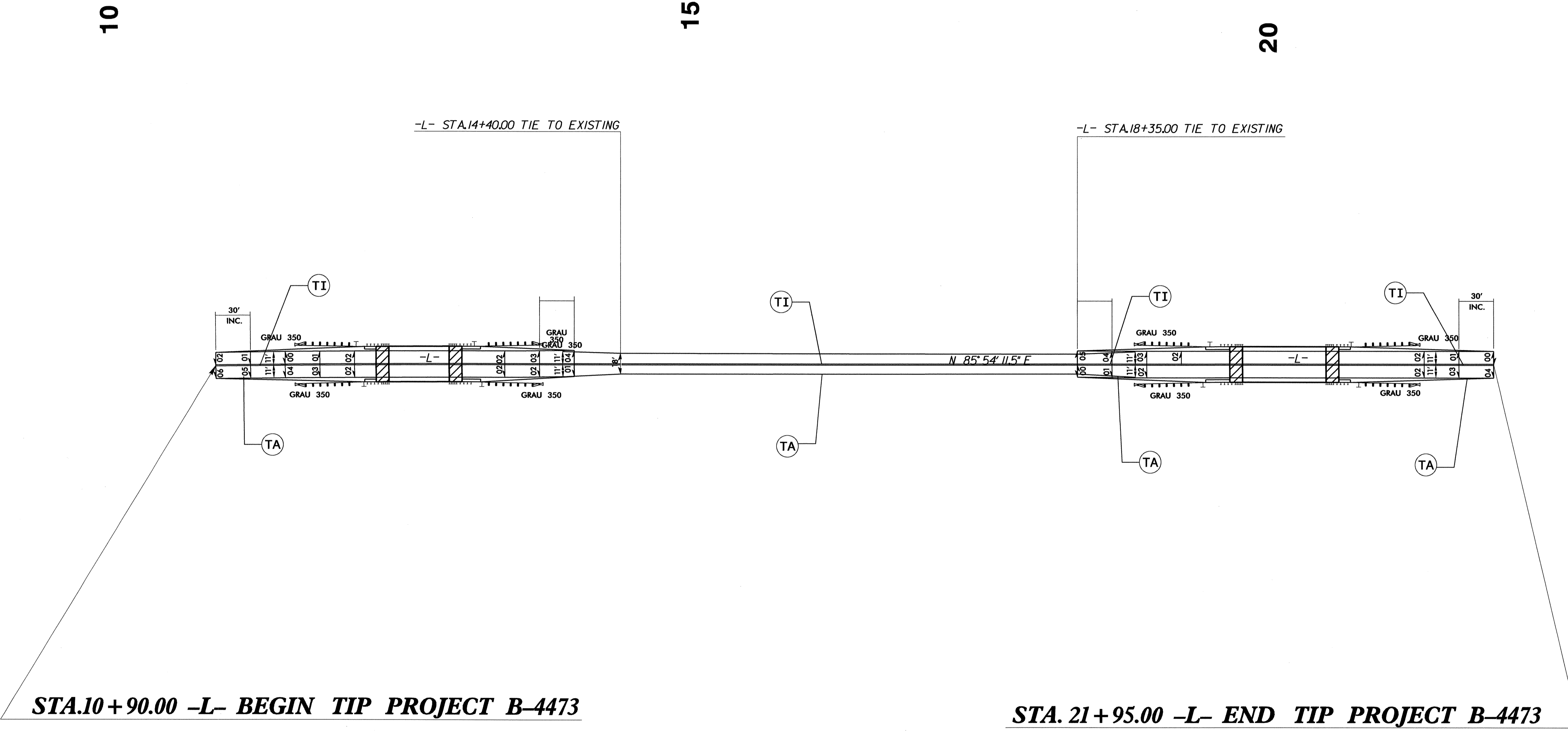
**INDEX**

SHEET NO.	DESCRIPTION
PMP-1	PAVEMENT MARKING & SIGNING PLAN TITLE SHEET
PMP-2	SIGNING & PAVEMENT MARKING SCHEDULE
PMP-2	PAVEMENT MARKING DETAIL

27 JUL 2011 10:06 AM C:\pmp\B-4473\Sgn.BPMP.dgn  
A: [Signature]  
B: [Signature]

TIP NO. B-4473	SHEET NO. PMP-2
APPROVED: <i>[Signature]</i>	
DATE: 7-27-11	
SEAL	

SYMBOL AND PAVEMENT MARKING LEGEND	
(TA)	WHITE EDGE LINE (4")
(TI)	YELLOW DOUBLE CENTER (4")



REFER TO RSD NO. 1205.01, 1205.02, 1205.12, 1250.01 AND 1251.01 FOR PLACEMENT OF FINAL PAVEMENT AND MARKERS UNLESS NOTED OTHERWISE.

**PAVEMENT MARKING DETAIL**

27-JUL-2011 09:59  
 RA:\PMP\1109\1109\1109\CADD\PM\B-4473\_Sgn\_BPMP.dgn  
 Drawn: AT 11/24/11